



- NOTES:
- 1 - HOUSING MATERIAL: GLASS FILLED POLYESTER, UL 94V-0.
COLOR: BLACK
 - 2 - TERMINAL MATERIAL: PHOSPHOR BRONZE
 - 3 - SEE ADDITIONAL SHEETS FOR CHARTS, PLATINGS, AND OVERALL DIMENSIONS
 - 4 - THIS PRODUCT CONFORMS TO PS-70181.

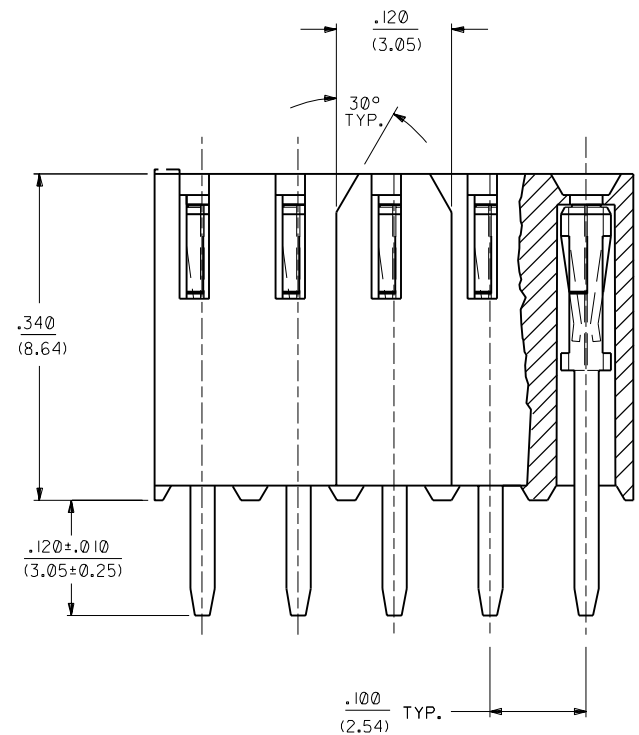
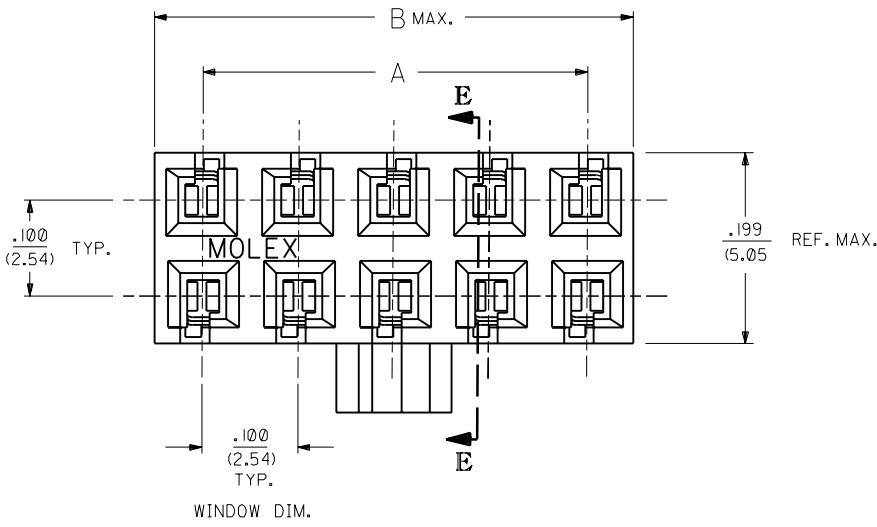


RECOMMENDED P.C. BOARD
HOLE LAYOUT
SCALE = 4:1

| | |
|---|---|
| C | LEAD FREE UCP2004-1770 RWHITE 04/04/28 |
| B | CHANGE PACK SPEC ECN# UDT2000-0503 DMORGAN 99/12/09 |
| A | REVISE PLATE & BOX PER U3 0572 09/10/93 MURPHY |

| MFG. | SH. | REV. | LTR. | REVISIONS |
|------|-----|------|------|-----------|
| 3 | C | | | |
| 2 | A | | | |
| 1 | C | | | |

| DIMENSIONS SHOWN (METRIC) INCH UNLESS OTHERWISE SPECIFIED TOLERANCES: ANGULAR ± 1/2° | | ▽ = 0 ▼ = 0 REVISIONS ONLY ON CAD SYSTEM | | | | | | | | | | | | | |
|--|--------|--|------|--------|---------|--------|-----|---------|--------|--------|---------|-----|--------|--|--|
| <table border="1"> <tr> <th></th> <th>INCH</th> <th>METRIC</th> </tr> <tr> <td>3 PLACE</td> <td>± .010</td> <td>---</td> </tr> <tr> <td>2 PLACE</td> <td>± .014</td> <td>± 0.25</td> </tr> <tr> <td>1 PLACE</td> <td>---</td> <td>± 0.35</td> </tr> </table> | | | INCH | METRIC | 3 PLACE | ± .010 | --- | 2 PLACE | ± .014 | ± 0.25 | 1 PLACE | --- | ± 0.35 | TITLE CONNECTOR VERT MOUNT DUAL ROW (TOP ENTRY) .100 X .10 P.C TAIL GRID | |
| | INCH | METRIC | | | | | | | | | | | | | |
| 3 PLACE | ± .010 | --- | | | | | | | | | | | | | |
| 2 PLACE | ± .014 | ± 0.25 | | | | | | | | | | | | | |
| 1 PLACE | --- | ± 0.35 | | | | | | | | | | | | | |
| DRAFT WHERE APPLICABLE MUST REMAIN WITHIN DIMENSIONS | | SHEET NO. U.S.A. 1 OF 3 DATE 09/10/93 | | | | | | | | | | | | | |
| DRWG. NO. SDA-70192-**** | | FILE NAME SA70192X1.DGN | | | | | | | | | | | | | |
| DRWG. BY PM CHK'D. BY PM APP'D. BY PM SCALE 10:1 | | THIS DRAWING CONTAINS INFORMATION THAT IS PROPRIETARY TO MOLEX INC. AND SHOULD NOT BE USED WITHOUT WRITTEN PERMISSION. | | | | | | | | | | | | | |



NOTES:
1 - SEE SHEET I FOR APPLICABLE NOTES.

**SINGAPORE ONLY
OPTION -F-
WITH POLARIZING KEY**

A SEE SHEET I

| | | | | | |
|--|--|----------------------------------|--|--|--|
| DIMENSIONS SHOWN (METRIC) INCH | | ▽ = 0 ▼ = 0 | | REVISE ONLY ON CAD SYSTEM | |
| UNLESS OTHERWISE SPECIFIED TOLERANCES ANGULAR ± 1/2° | | TITLE | | | |
| 3 PLACE ± | | CONNECTOR, VERT. MOUNT, DUAL ROW | | | |
| 2 PLACE ± | | (TOP ENTRY) .100 X .100 | | | |
| 1 PLACE ± | | P.C. TAIL GRID | | | |
| DRAFT WHERE APPLICABLE MUST REMAIN WITHIN DIMENSIONS | | MOLEX INCORPORATED | | SHEET NO. DATE | |
| | | L15LEJLL 69532 | | 2 07/17/90 | |
| DRAWN BY: PM | | CHK'D BY: PM | | PART NO. DRWG. NO. | |
| APP'D BY: PM | | SCALE: : | | SEE CHART SDA-70192-0000 | |
| | | FILE NAME: SA70192X2.DWG | | THIS DRAWING CONTAINS INFORMATION THAT IS PROPRIETARY TO MOLEX INC. AND SHOULD NOT BE USED WITHOUT WRITTEN PERMISSION. | |

13 12 11 10 9 8 7 6 4 3 2 1

J CKT SIZE J PLATING: TIN PACKAGING: PK-70873-0660 PLATING: 15 GOLD PACKAGING: PK-70873-0660 PLATING: 30 GOLD PACKAGING: PK-70873-0660 OPTION F ASSEMBLY TOOLED IN SINGAPORE ONLY (SEE SHEET 2 FOR GEOMETRY)

Table with columns for CKT SIZE (PER ROW, TOTAL), EDP NO., ENG NO., DIM. "A" (INCH, MM), and DIM. "B" (INCH, MM). Rows include I, H, G, F, E, and D categories.

C

B •THE PRIMARY SHIPPING CARTON WILL BE LABELED "COMPLIANT TO RoHS DIRECTIVE 2002/95/EC AND ELV ANNEX II OF DIRECTIVE 2000/53/EC". CARTONS WITHOUT THIS LABEL MAY CONTAIN PRODUCT WITH LEAD.

PLATING: TIN (3.75 MICROMETER)/150 MICROINCH MINIMUM TIN OVER (1.25 MICROMETER)/50 MICROINCH MINIMUM NICKEL OVERALL. 15 GOLD (0.37 MICROMETER)/15 MICROINCH MINIMUM SELECTIVE GOLD IN THE CONTACT AREA; (1.88 MICROMETER)/75 MICROINCH MINIMUM SELECTIVE TIN IN THE PC TAIL AREA OVER (1.25 MICROMETER)/50 MICROINCH MINIMUM NICKEL OVERALL. 30 GOLD (0.75 MICROMETER)/30 MICROINCH MINIMUM SELECTIVE GOLD IN THE CONTACT AREA; (1.88 MICROMETER)/75 MICROINCH MINIMUM SELECTIVE TIN IN THE PC TAIL AREA OVER (1.25 MICROMETER)/50 MICROINCH MINIMUM NICKEL OVERALL.

A LTR. REVISIONS LTR. REVISIONS 5 4 3 2 1