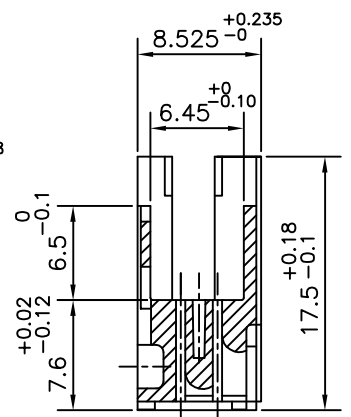
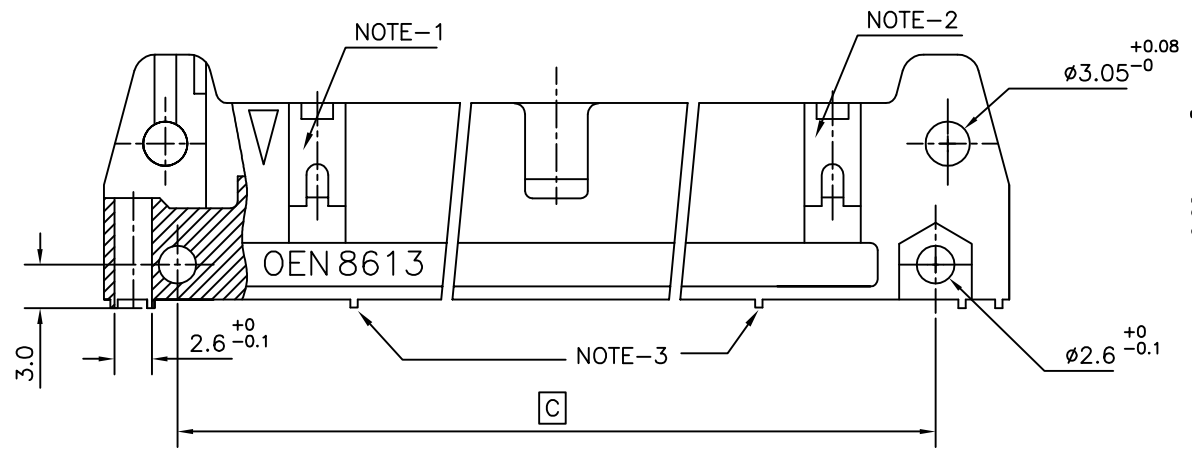
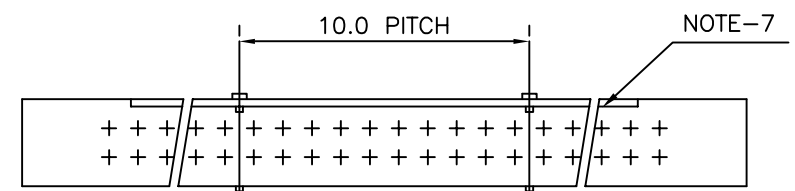
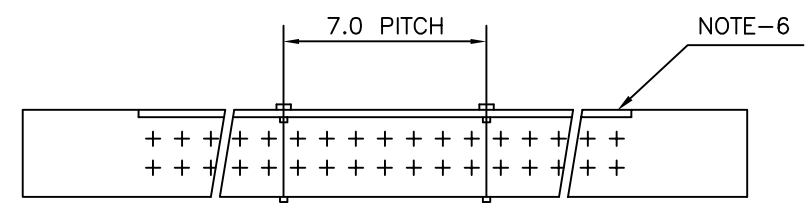


11	8613-1130	30	57.40	53.34	47.24	43.31	35.56
10	8613-1164	64	100.58	96.52	90.42	86.49	78.74
9	8613-1160	60	95.50	91.44	85.34	81.41	73.66
8	8613-1150	50	82.80	78.74	72.64	68.71	60.96
7	8613-1140	40	70.10	66.04	59.94	56.01	48.26
6	8613-1134	34	62.48	58.42	52.32	48.39	40.64
5	8613-1126	26	52.32	48.26	42.16	38.23	30.48
4	8613-1120	20	44.70	40.64	34.54	30.61	22.86
3	8613-1116	16	39.62	35.56	29.46	25.53	17.78
2	8613-1114	14	37.08	33.02	26.92	22.99	15.24
1	8613-1110 8613-1110 M	10	32.00	27.94	21.84	17.91	10.16
SL.NO:	PART NUMBER	NO: OF POSITION	A ^{+0.25} ₋₀	B	C	D ^{+0.13} ₋₀	E



- NOTES**
- LEFT POLARISATION IS NOT PROVIDED FOR 10 & 14 POSITION INSULATORS
 - RIGHT POLARISATION IS NOT PROVIDED FOR 10 POSITION INSULATOR
 - INTERMEDIATE LEGS ONLY FOR INSULATORS ABOVE 20 POS.
 - INSTEAD OF RIGHT POLARISATION IN 10 PSN INSULATOR, PROJECTION AS SHOWN IN DETAIL-A IS PROVIDED
 - INSULATOR TO P/N 8613-1110M IS WITHOUT THE PROJECTION AS SHOWN IN DETAIL-A. ALL DIMN. AND DETAILS ARE SAME AS THAT OF 8613-1110
 - LAYOUT FOR POSITIONS 26, 34, 50, 30.
 - LAYOUT FOR POSITIONS 40, 60, 64.
 - MATERIAL : PBT 30% GF UL 94 V-0 GREY



DETAILED LAYOUT OF INTERMEDIATE LEGS

mat'l. code		surface		tolerance		projection		product family	
SEE NOTES		ISO 1302		ISO 406 ISO 1101		mm		8613	
ltr	ecn no	dr	date	tolerances unless otherwise specified		mm		title	
A	-	MINI	11/05/2001	angles	linear	scale 2:1		MALE INSULATOR	
B	106-0066	MINI	01/06/2006	σ±1'					
		dr	MINI.K.VANDANATH	11/05/2001			dwg no		sheet 1 of 1
		enr	RAKHEE GEORGE	11/05/2001			C-8613-0038		size
		chr	RAKHEE GEORGE	01/06/2006					A3
		appd	RAKHEE GEORGE	01/06/2006			type		Product Customer Drawing
sheet index	revision sheet	B	1						



Copyright FCI