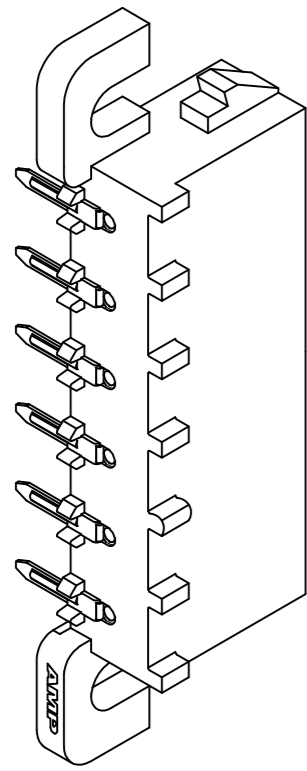
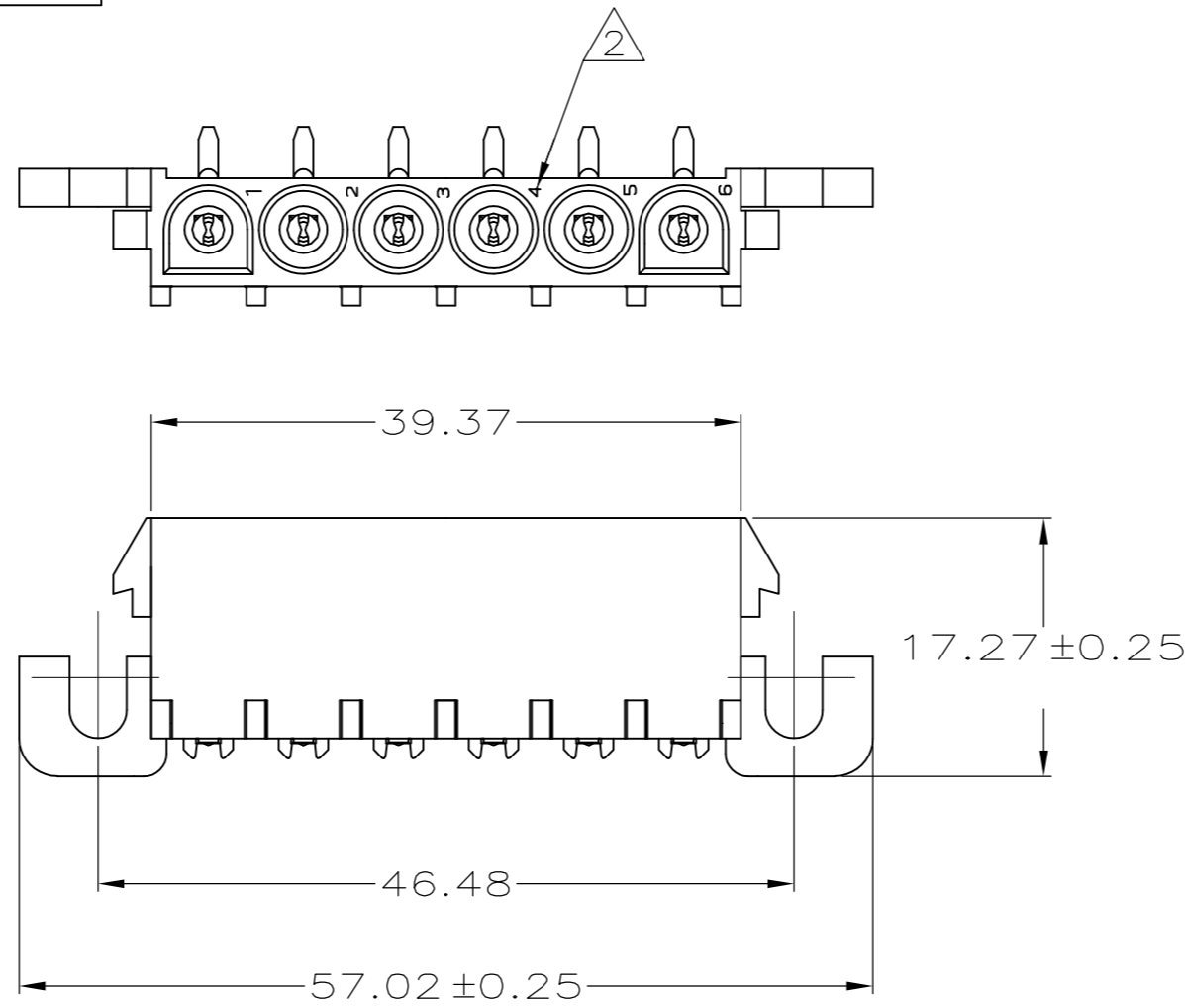


THIS DRAWING IS UNPUBLISHED. RELEASED FOR PUBLICATION  
 © COPYRIGHT BY TYCO ELECTRONICS CORPORATION. ALL RIGHTS RESERVED.

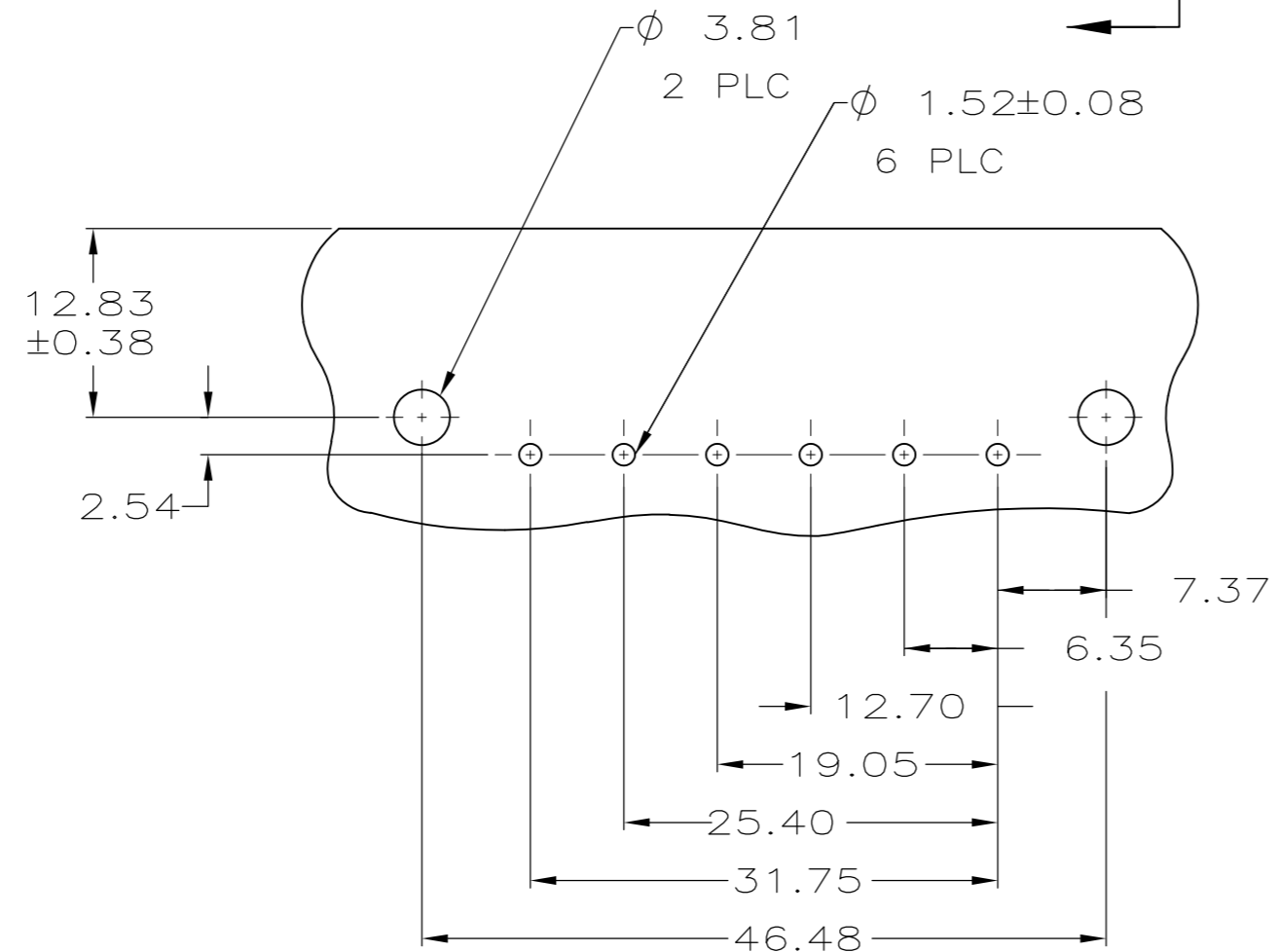
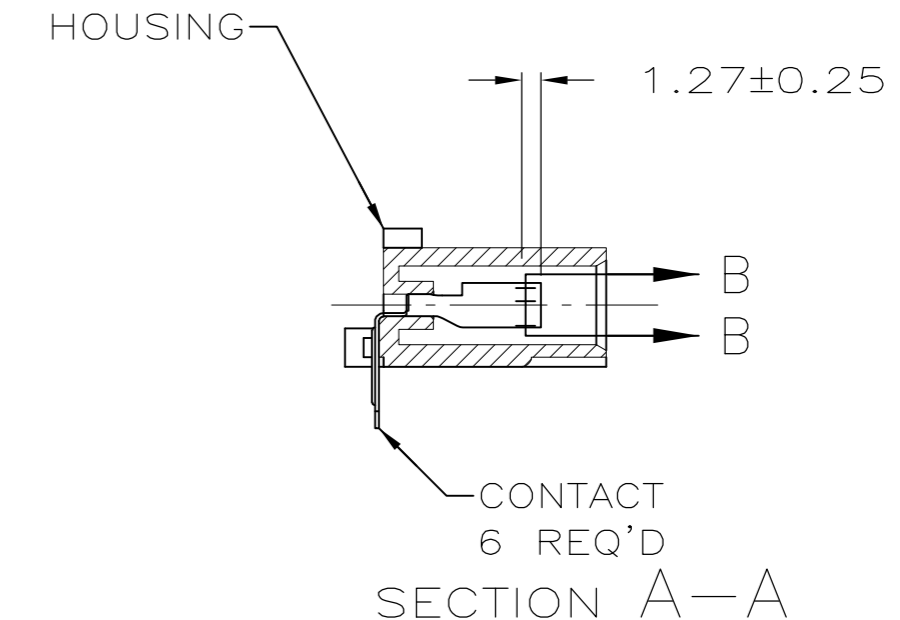
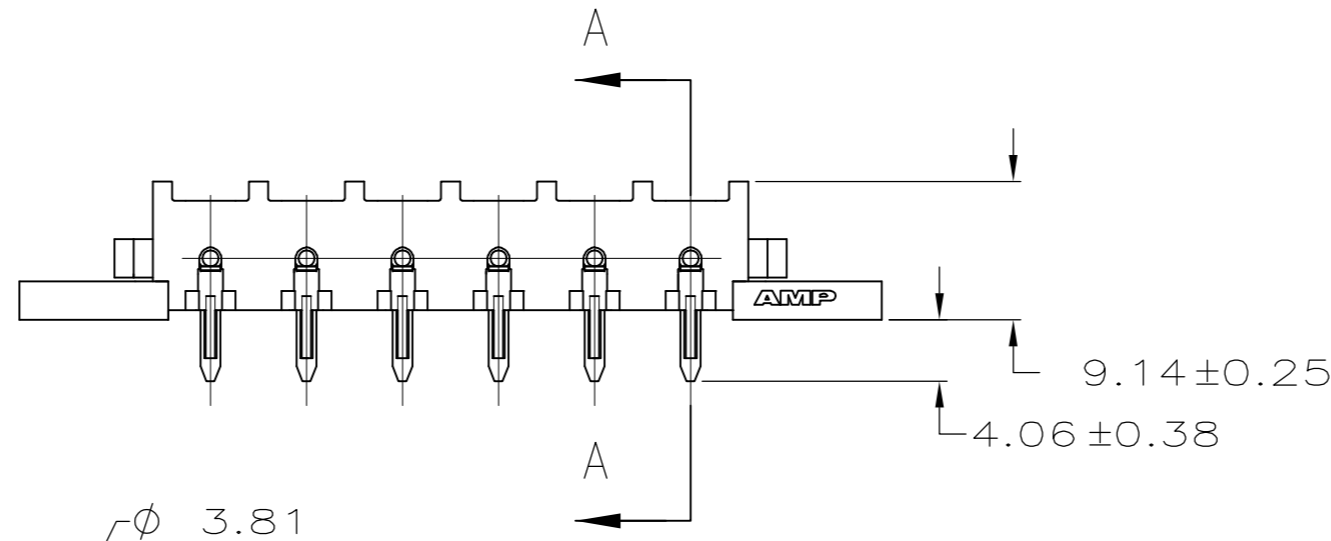
LOC	DIST	REVISIONS			
P	LTR	DESCRIPTION	DATE	DWN	APVD
CM	00	B	REV PER ECR 10-018921	14SEPT10	JR TM



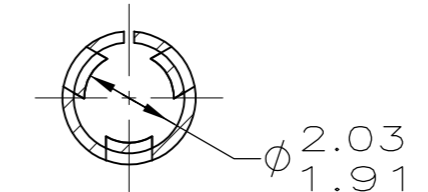
3-DIMENSIONAL MODEL NTS



- PARTS COMPLY WITH AMP SOLDERABILITY SPECIFICATION 109-11-5.
- CIRCUIT IDENTIFICATION CHARACTERS ARE ADJACENT TO THE INDICATED CAVITIES, BUT LOCATION AND ORIENTATION MAY DIFFER FROM PRINT.
- FLAMMABILITY V2 FOR THICKNESS 0.38mm, 1.5mm, and 3.0mm PER IEC 60695-11-10.
- GLOW-WIRE FLAMMABILITY (GWFI) 800°C FOR THICKNESS 0.38mm AND 0.75mm PER IEC 60695-2-12.
- GLOW-WIRE FLAMMABILITY (GWFI) 960°C FOR THICKNESS 1.5mm AND 3.0mm PER IEC 60695-2-12.
- GLOW-WIRE IGNITION (GWIT) 825°C FOR THICKNESS 0.38mm, 0.75mm, 1.5mm AND 3.0mm PER IEC 60695-2-13.



RECOMMENDED MOUNTING HOLE PATTERN FOR 1.57 THICK P.C. BOARD



SECTION B-B SCALE 6:1

3.81	.150	57.02	2.245
2.54	.100	46.48	1.830
2.03	.080	39.37	1.550
1.91	.075	31.75	1.250
1.57	.062	25.40	1.000
1.52	.060	19.05	.750
1.27	.050	17.27	.680
0.38	.015	12.83	.505
0.25	.010	12.70	.500
0.13	.005	9.14	.360
0.08	.003	7.37	.290
0.00127	.000050	6.35	.250
0.00076	.000030	4.06	.160
MM	IN	MM	IN

CONVERSION TABLE

**METRIC**

PH BRZ TIN		NYLON, UL94V-2	1586937-1
CONTACT	HOUSING	PART NO	
THIS DRAWING IS A CONTROLLED DOCUMENT.		DWN K. WHITAKER 14MAR2008	
DIMENSIONS: mm		CHK D. COLEY 14MAR2008	
TOLERANCES UNLESS OTHERWISE SPECIFIED:		APVD D. COLEY 14MAR2008	
0 PLC ± -		NAME	
1 PLC ± -		Tyco Electronics Corporation	
2 PLC ± 0.13		Harrisburg, Pa 17105-3608	
3 PLC ± -		Tyco Electronics Corporation	
4 PLC ± -		NAME	
ANGLES ± -		SOCKET HEADER ASSEMBLY, RIGHT ANGLE MOUNT, 6 POSITION, UNIVERSAL MATE-N-LOK(TM)	
FINISH		SIZE CAGE CODE DRAWING NO RESTRICTED TO	
MATERIAL SEE TABLE		WEIGHT - A2 00779 C=1586937	
SEE TABLE		CUSTOMER DRAWING SCALE 2:1 SHEET 1 OF 1 REV B	