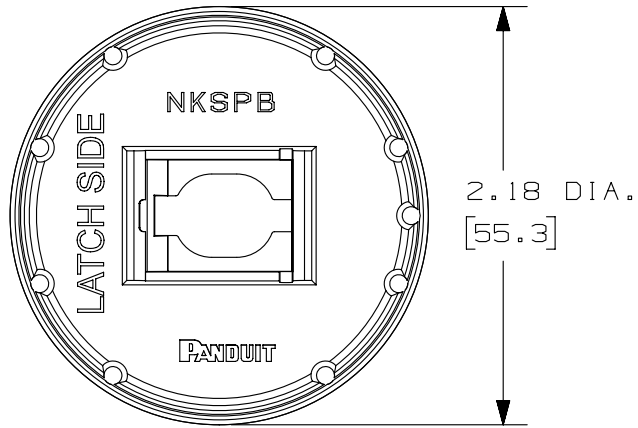


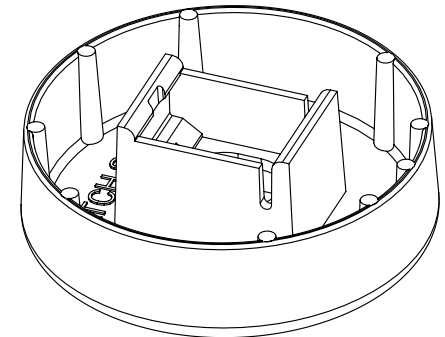
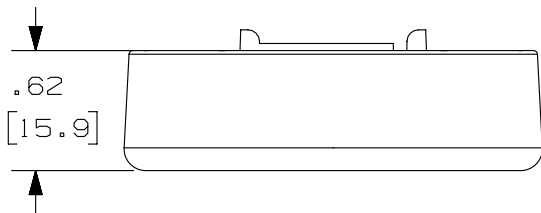
THIS COPY IS PROVIDED ON A RESTRICTED BASIS AND IS NOT TO BE USED IN ANY WAY DETRIMENTAL TO THE INTERESTS OF PANDUIT CORP.



PANDUIT PART NO.	WEIGHT
SEE PART NO. IN TITLE BLOCK	.024 LBS / EACH 10.86 g /EACH

NOTES:

- SEE CURRENT CATALOG FOR ADDITIONAL PART NUMBER SUFFIXES TO INDICATE PACKAGE QUANTITY.
- DIMENSIONS IN BRACKETS ARE IN METRIC.



PART NUMBER		NKSPB	
TITLE			
NETKEY PUNCH DOWN MODULE BASE			
CUSTOMER DRAWING			
ITEM REVISION NAME		D38452BA/08	
DATASET FILE NAME		D38452BA_DC02/08B	
UNLESS OTHERWISE SPECIFIED, DIMENSIONAL TOLERANCES ARE: IN [mm]		MATERIAL:	
.x ± .03 [.8]		ABS	
.xxx ± .010 [.3]		DRAWING NUMBER:	
ANGLES ±		38452-02	
THIRD ANGLE PROJECTION		SHT 1 OF 1	
DRAWN BY	DATE	CHK	SCALE
MDJR	9-09-02	RGRO	NONE
REV	DATE	BY	CHK
4	5-20-14	MDJR	REFR
APR	DESCRIPTION		ECN
JCK	A. UPDATED TITLE BLOCK. REMOVED PREVIOUS REVISIONS FOR CLARITY		38452-02

D101000DA/14