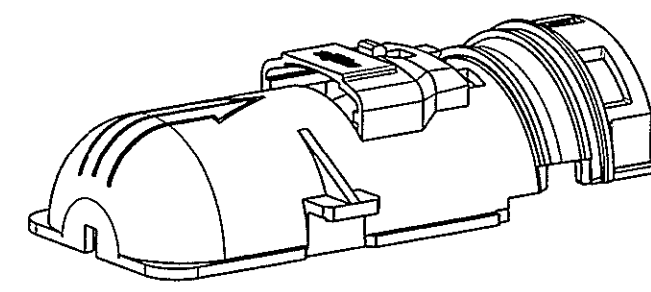
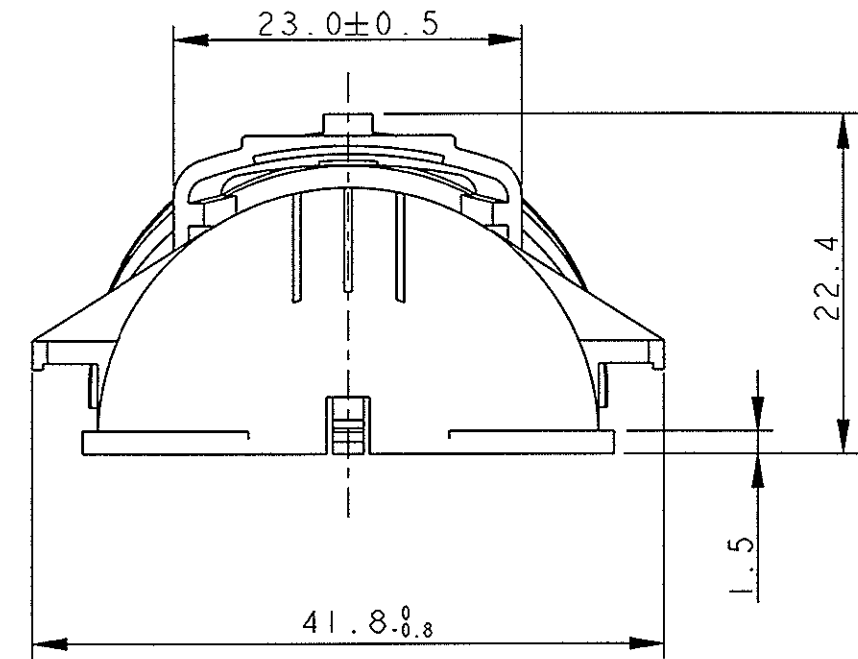
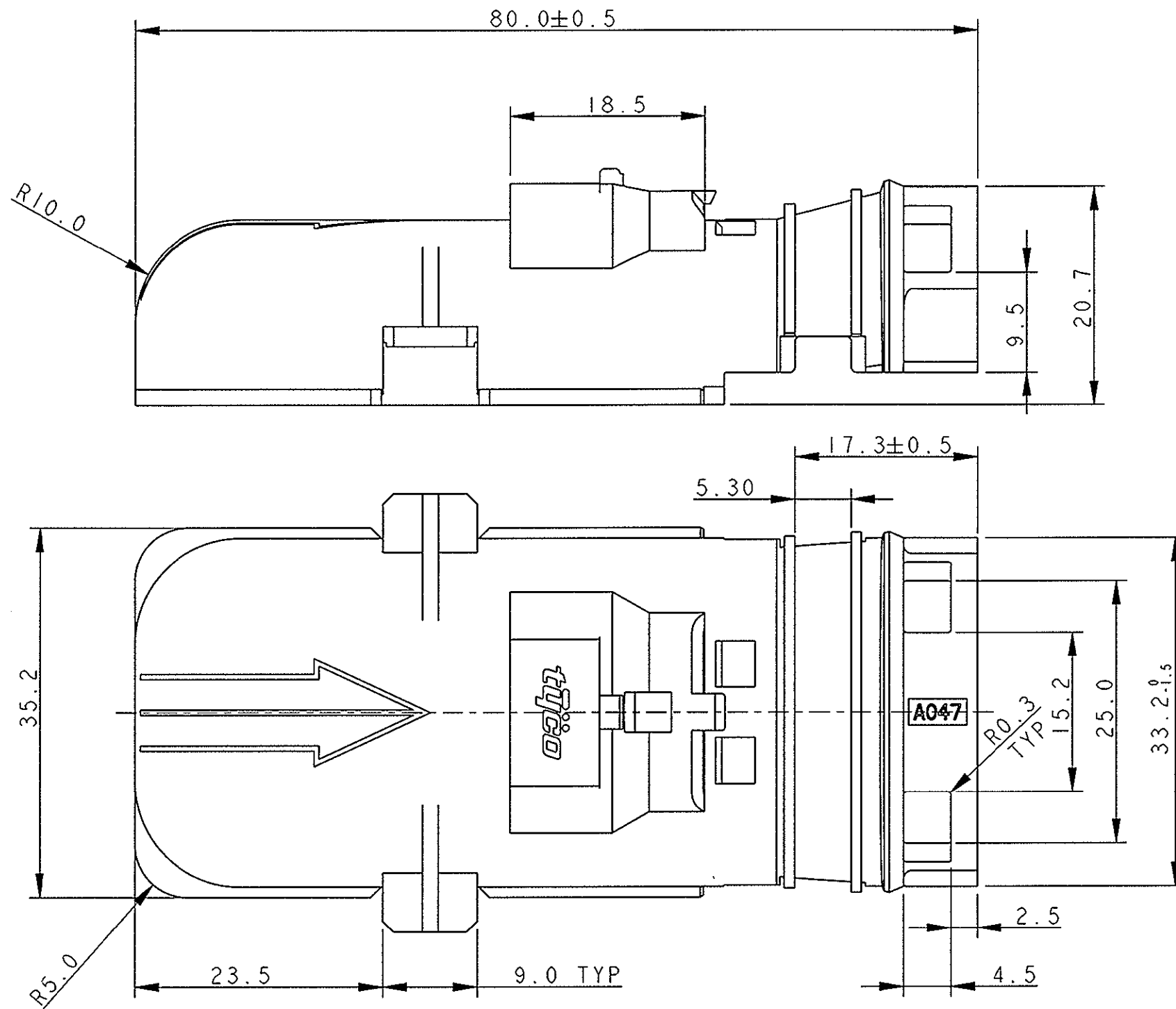


P	LTR	DESCRIPTION	DATE	DWN	APVD
A		FIRST ISSUE (PRIMA EMISSIONE) ET00-0112-03	18JUL2003	M.P.	O.C.
B1		ADDED TIE SLOT (WAS 03-51177) ET00-0159-03	10SEP2003	M.P.	O.C.
B2		RELEASED FOR PRODUCTION (ET00-0059-04)	29APR2004	M.P.	O.C.



SCALE 1:1

284723-1 AS SHOWN

NOTES

- 1) COVER IS SUITABLE TO BE ASSEMBLED WITH TYCO CONNECTOR P/N 2-1355123-3 AND TYCO C.P.A (IL COPERCHIO SI ASSEMBLA CON IL CONNETTORE TYCO P/N 2-1355123-3 E IL C.P.A. DI TYCO)

2 MATERIAL : PA6.6 GF BLACK COLOUR (MATERIALE : PA 6.6 FV COLORE NERO)

<small>THIS DRAWING IS A CONTROLLED DOCUMENT FOR TYCO ELECTRONICS CORPORATION IT IS SUBJECT TO CHANGE AND THE CONTROLLING ENGINEERING ORGANIZATION SHOULD BE CONTACTED FOR THE LATEST REVISION.</small>		DWN M. POLI 25JUN2003 CHK O. CANUTO 25JUN2003 APVD A. GENTA 25JUN2003		tyco tyco Electronics AMP Italia Electronics C.so Fratelli Cervi, 15 Collegno (To)	
DIMENSIONS: mm 		TOLERANCES UNLESS OTHERWISE SPECIFIED: 0 PLC ±0.3 1 PLC ±0.3 2 PLC ±0.3 3 PLC ± 4 PLC ± ANGLES ±1°		NAME COVER FOR 60 POS. RECEPTACLE HOUSING Coperchio per connettore femmina 60 vie	
MATERIAL 2 		FINISH 2 		PRODUCT SPEC 108-20235 APPLICATION SPEC I.S. 411-20067 WEIGHT - SIZE A3 CAGE CODE 00779 DRAWING NO C=284723 RESTRICTED TO -	
CUSTOMER DRAWING				SCALE 2:1 SHEET 1 OF 1 REV B2	