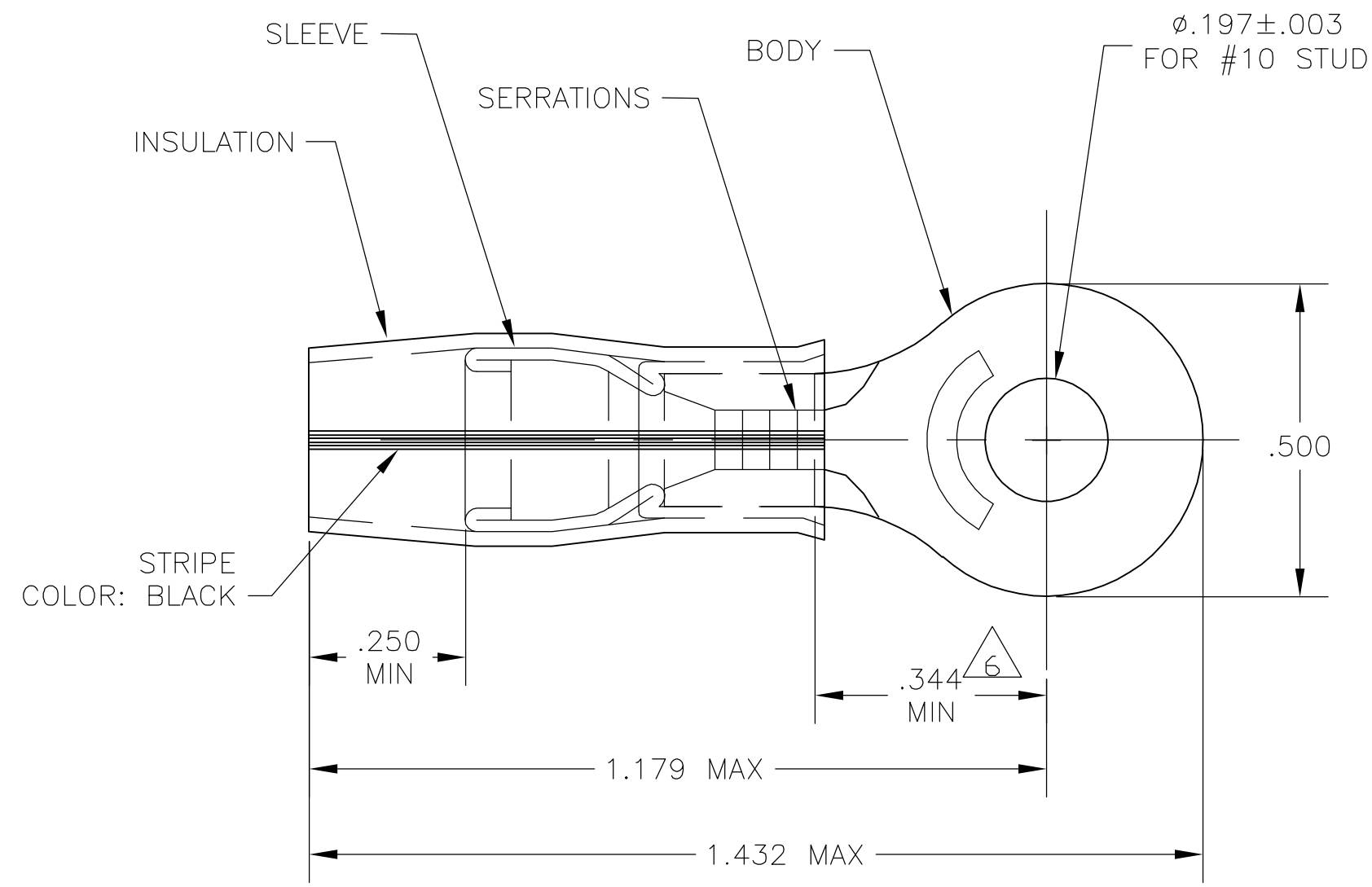


THIS DRAWING IS UNPUBLISHED. RELEASED FOR PUBLICATION
 © COPYRIGHT BY TYCO ELECTRONICS CORPORATION. ALL RIGHTS RESERVED.

LOC	DIST	REVISIONS					
		P	LTR	DESCRIPTION	DATE	DWN	APVD
G	14						
			D1	REV PER ECR 05-011037	14SEP05	JR	TM



- 1 STAMP AMP 16-14 HD* APPROX AS SHOWN
- 2 WIRE INSULATION DIA: .150-.220
- 3 TONGUE MATERIAL THK: .048±.002
- 4 BODY & SLEEVE: TIN PLATE PER ASTM B545,
- 5 BODY & SLEEVE- CU PER ASTM B152 INSULATION - NYLON, COLOR - YELLOW
- 6 APPLIES FROM EDGE OF METAL WIRE BARREL TO CENTER OF STUD HOLE.

500	LOOSE PIECE	329391
QTY	PACKAGE TYPE	PART NO

AMP INCORPORATED CUSTOMER SERVICE SYSTEMS	
FOR ADDITIONAL PRODUCT INFORMATION OR COPIES OF DRAWINGS AND TECHNICAL DOCUMENTS	PRODUCT INFORMATION CENTER 1-800-522-6752
FOR APPLICATION TOOLING INFORMATION	TOOLING ASSISTANCE CENTER 1-800-722-1111
FOR ORDER ENTRY	1-800-526-5142

MAX RECOMMENDED OPERATING TEMPERATURE: 105°C MAX
VOLTAGE RATING: 600 MAX
CIRCULAR MIL AREA: 1.04-2.62mm² [2,050-5,180] STRANDED

THIS DRAWING IS A CONTROLLED DOCUMENT.	
DIMENSIONS: INCHES	TOLERANCES UNLESS OTHERWISE SPECIFIED:
	0 PLC ± -
	1 PLC ± -
	2 PLC ± -
	3 PLC ± -
	4 PLC ± -
	ANGLES ± -
MATERIAL	FINISH
- 5	- 4

DWN JR RUTH 14SEP05	tyco Electronics	Tyco Electronics Corporation Harrisburg, Pa 17105-3608	
CHK T MICHIELUTTI 14SEP05		NAME	
APVD T MICHIELUTTI 14SEP05		TERMINAL, RING TONGUE, P.I.D.G. WIRE SIZE: 16-14 HD AWG	
PRODUCT SPEC		SIZE	CAGE CODE
APPLICATION SPEC	A3	00779	C-329391
WEIGHT	RESTRICTED TO		
CUSTOMER DRAWING	SCALE	SHEET	REV
	4:1	1 OF 1	D1