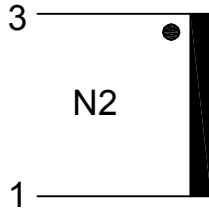


Product Type	Current transformer 10A
Part Number	ASM-010
Customer Part Number	
Customer	

**SCHEMATIC:**



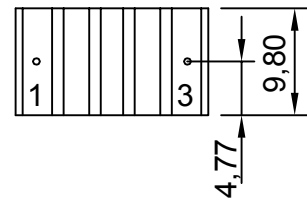
**ELECTRICAL SPECIFICATION:**

- Rated input current : 1 - 10 Amps
- Primary to Secondary isolation : 2500VAC
- Operating frequency : 50 / 60Hz
- Operating temperature range : -40°C to +120°C

**LOAD TEST DETAILS:**

$I_p=10A$   
 $R_L=50\Omega$   
 $U_s=33.3mV\pm 10\%$

**MECHANICAL DIMENSIONS:**

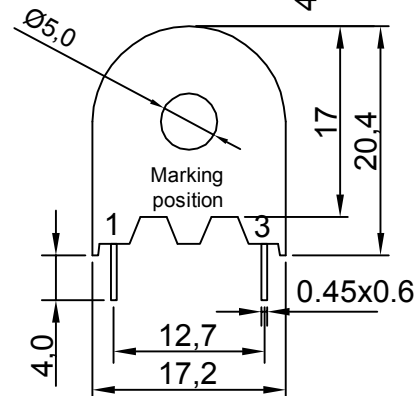


**MARKING INFORMATION:**

AMGIS  
 YY/Wk code ASM-010

**Trafo Weight:**

0.005Kg/pc



All dimensions are in mm  
 Linear dimensional tolerance  $\pm 0.2mm$

-----Issued-----	1	0	Anidha.K	04-Nov '10
Changes	Issue	Rev	Initial	Date