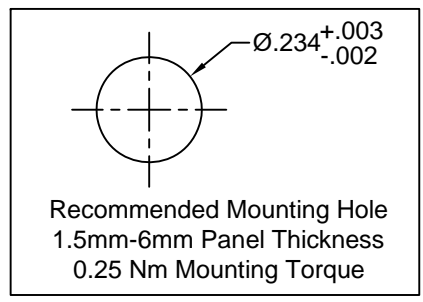
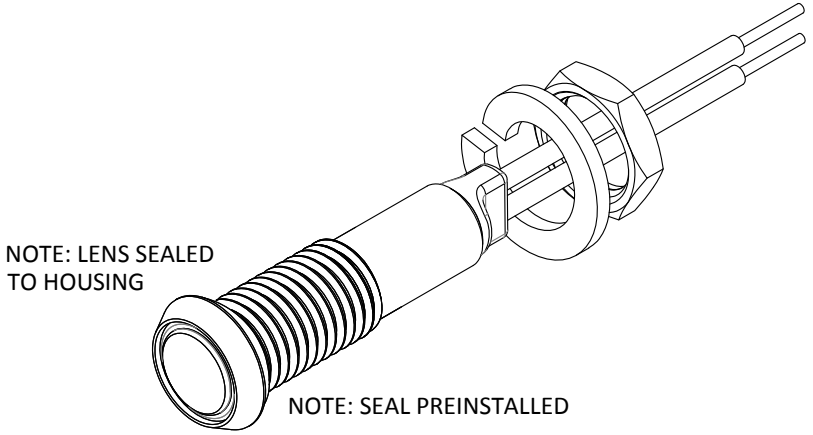
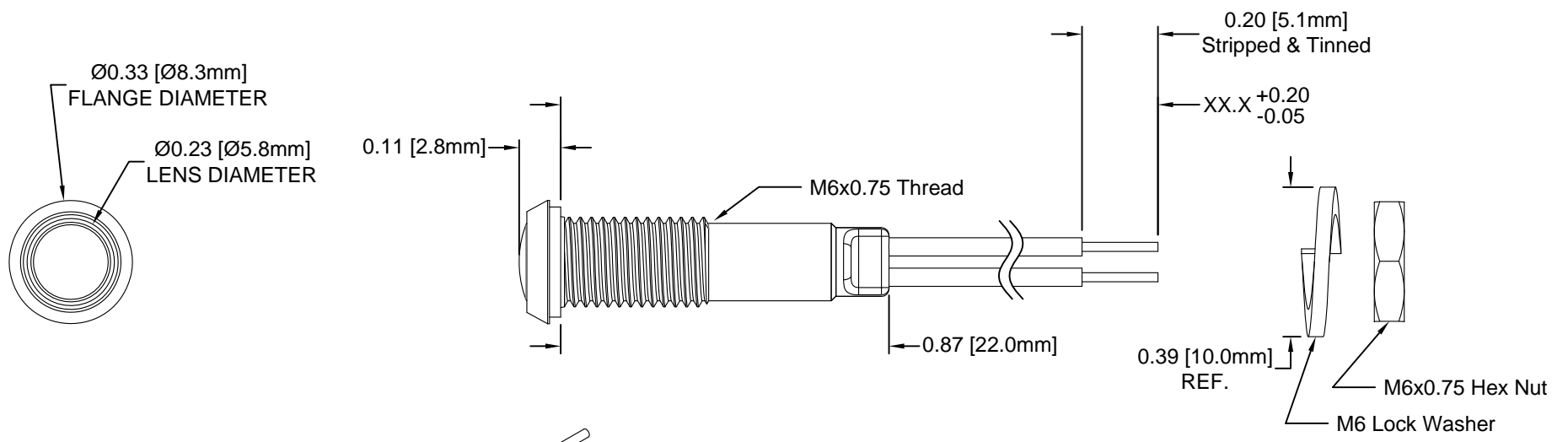


REV.	DESCRIPTION	DATE	APPROVED
A	Engineering Release	03/17/14	J. C.
B	Updated Voltage Input	05/13/14	J. C.
C	Updated LED Optical Characteristics	09/15/15	J. C.



EXAMPLE:
PM3-PRGDW6.5

Series | LED Color | Wire Length in 0.5" Increments


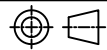
- NOTES:**
1. SEALED TO IP67 RATING
 2. ROHS COMPLIANT
 3. MOUNTING HARDWARE SHIPPED NON-ASSEMBLED
 4. BIPOLAR OPERATION
 5. WIDE RANGE VOLTAGE INPUT, SEE SHEET #2

STANDARD TOLERANCE (UNLESS OTHERWISE SPECIFIED)		BIVAR [®] 4 THOMAS, IRVINE, CA. 92618 TEL: (949) 951-8808 FAX: (949) 951-3974			
DECIMALS	ANGULAR				
.X ± .1	X° ± 1°	TITLE: IP67 Rated Panel Mount Indicator w/ Wire			
.XX ± .02					
.XXX ± .010		DESIGNED: Brian Oliver CHECKED: T. Yin	DATE: 03/17/14 DATE: 03/17/14	PART NO: PM3-PRXXXWXX.X CAGE CODE : 32559	REVISION: C SHEET # 1 OF 2
CAD GENERATED DOCUMENT. DO NOT MEASURE DRAWING.					

REV.	DESCRIPTION	DATE	APPROVED
	SEE SHEET #1		

Assembly Part Number	LED Part Number	Peak Wave Length λ_p (nm)	Emitted Color	Electro-Optical Data @ 20mA		Viewing Angle
				Vf (VAC/VDC)	Assembly Iv (mcd)	
				TYP	TYP	
PM3-PRADWXX.X	3SAD-S	610	AMBER	8-48	45	120
PM3-PRBWDWXX.X	3BWD0.245-S	470	BLUE	8-48	90	120
PM3-PRGDWXX.X	3SGD-S	568	GREEN	8-48	14	120
PM3-PRRDWXX.X	3SRD-S	645	RED	8-48	18	120
PM3-PRYDWXX.X	3SYD-S	585	YELLOW	8-48	14	120

Assembly Part Number	LED Part Number	Color Temperature	Emitted Color	Electro-Optical Data @ 20mA		Viewing Angle
				Vf (VAC/VDC)	Assembly Iv (mcd)	
				TYP	TYP	
PM3-PRWDWXX.X	3UWD2.555N	5000K	NEUTRAL WHITE	8-48	1500	120

STANDARD TOLERANCE (UNLESS OTHERWISE SPECIFIED) DECIMALS ANGULAR		 BIVAR [®] 4 THOMAS, IRVINE, CA. 92618 TEL: (949) 951-8808 FAX: (949) 951-3974	
			
DESIGNED: Brian Oliver	DATE: 03/17/14	TITLE: IP67 Rated Panel Mount Indicator w/ Wire	
CHECKED: T. Yin	DATE: 03/17/14	PART NO: PM3-PRXXXWXX.X	REVISION: C
		CAGE CODE : 32559	SHEET # 2 OF 2
CAD GENERATED DOCUMENT. DO NOT MEASURE DRAWING.			

ABSOLUTE MAXIMUM RATINGS (Ta = 25°C)

MAXIMUM POWER DISSIPATION _____ 400 mW
 OPERATING TEMPERATURE RANGE _____ -30°C ~ 85°C
 STORAGE TEMPERATURE _____ -40°C ~ 85°C