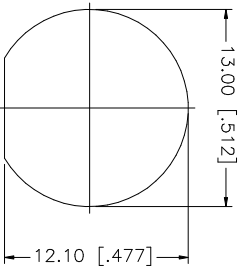
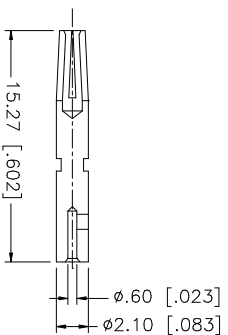
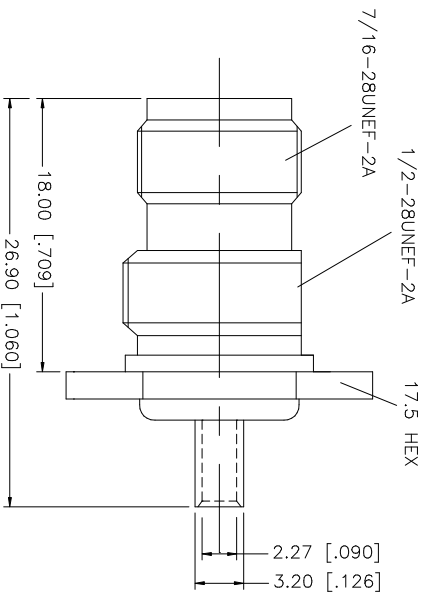
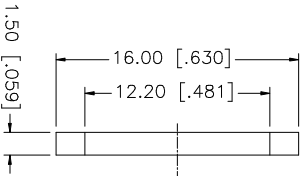
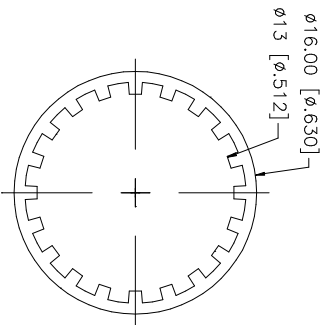
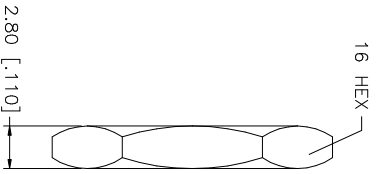
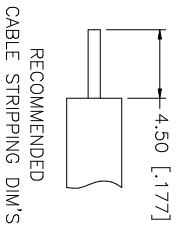


REV.	DATE	DESCRIPTION
A	04/05/03	UPDATE DRAWING FORMAT



- NOTE:
- CRIMPED CONTACT PIN
HEX CRIMP SIZE .068"
 - MAX. PANEL THICKNESS = 3.5mm

QTY	DESCRIPTION	MATERIAL	FINISH	UNLESS OTHERWISE SPECIFIED DIMENSIONS ARE IN MILLIMETERS. DIMENSIONS IN [] ARE IN INCHES AND FOR CUSTOMER REFERENCE ONLY. TOLERANCES FOR MILLIMETERS ARE:	DO NOT SCALE DRAWING	APPROVALS	DATE	PART DESCRIPTION
1	INSULATOR	TEFLON	NATURAL	0.5 - 8mm ± 0.20mm		G.R.S.	04/05/03	TNC BULKHEAD SOLDER JACK (FOR .085", .086" CABLE)
1	CONTACT PIN	PHOS. BRONZE	GOLD	8 - 30mm ± 0.40mm				
1	HEX NUT	BRASS	NICKEL	30 - 120mm ± 0.50mm				
1	LOCK WASHER	BRASS	NICKEL	UNLESS OTHERWISE SPECIFIED TOLERANCES FOR INCHES ARE:				
1	GASKET	RUBBER	RED	.020 - .315 = ± 0.007"				
1	INSULATOR	TEFLON	NATURAL	.315 - 1.180 = ± 0.015"				
1	HOUSING/BODY	BRASS	NICKEL	1.180 - 4.724 = ± 0.020"				
	DESCRIPTION	MATERIAL	FINISH					

Amphenol Connex

TNC BULKHEAD SOLDER JACK
(FOR .085", .086" CABLE)

122400

CAD FILE
C:/122/122400.DWG

DWG. NO. 122400.DWG

REV. A

SIZE A

SCALE NA