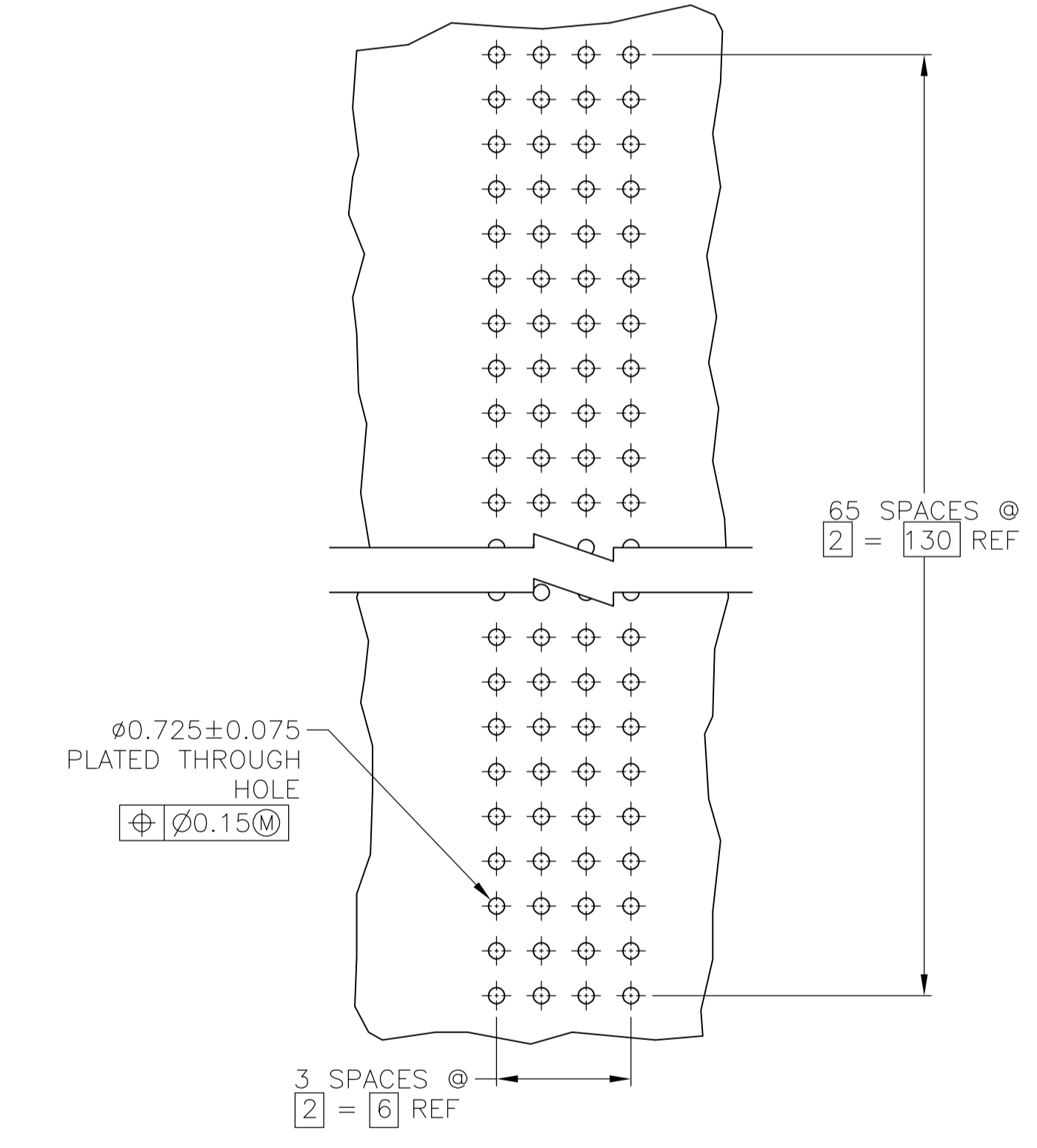
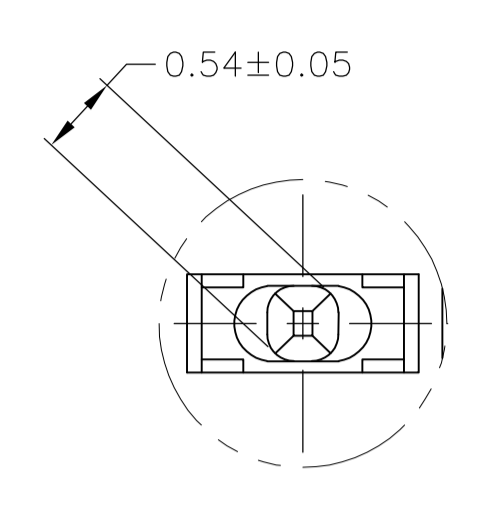
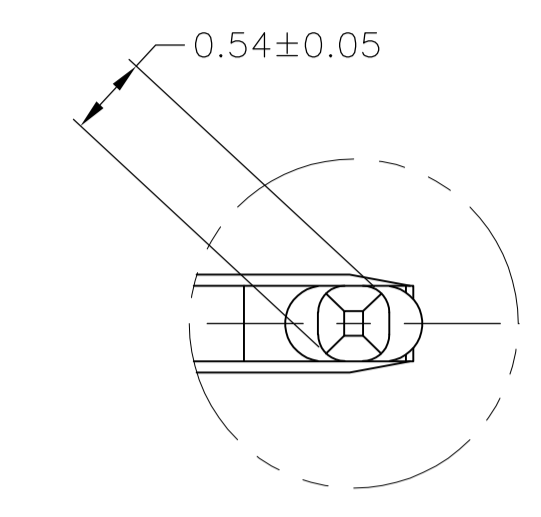
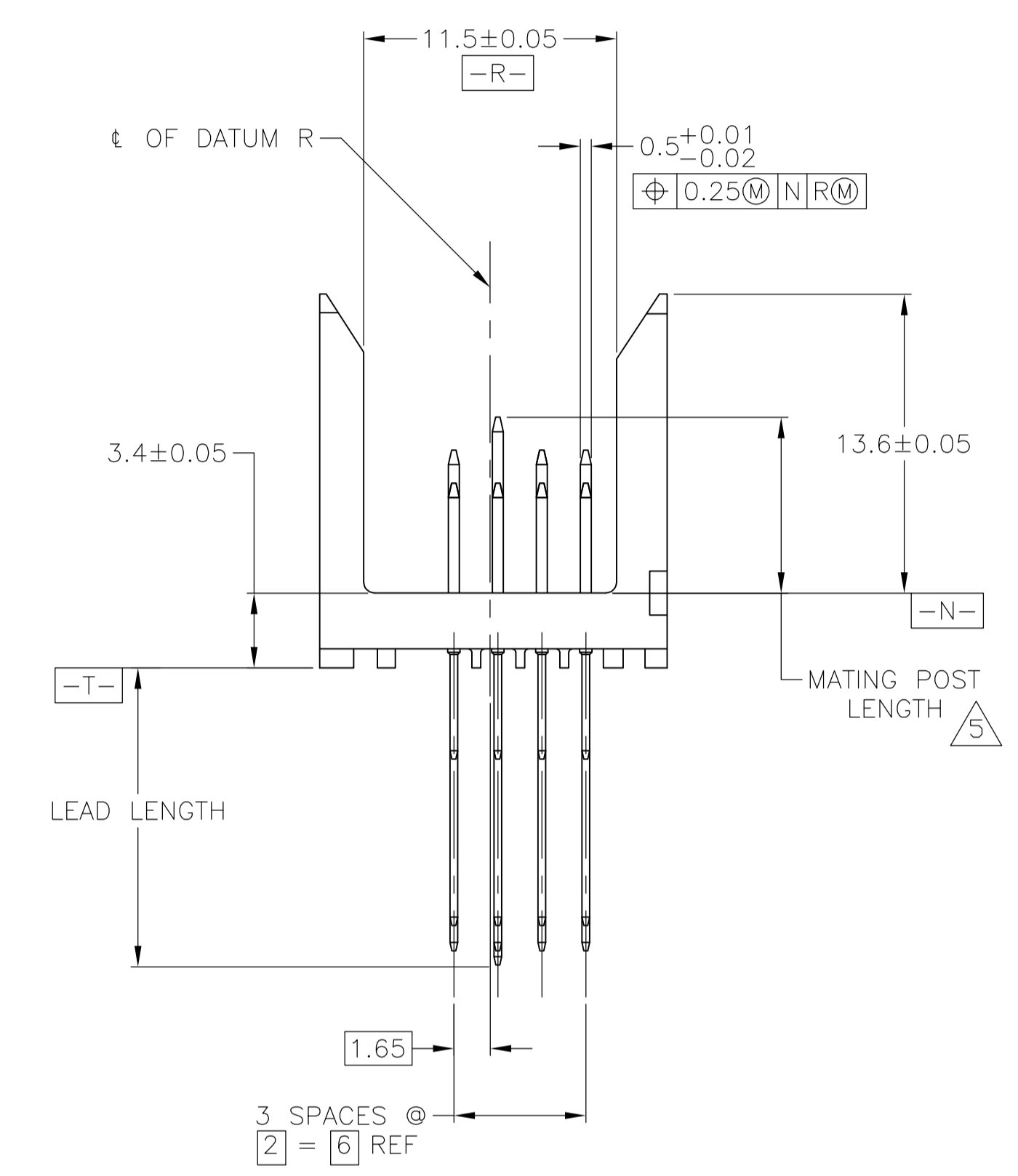
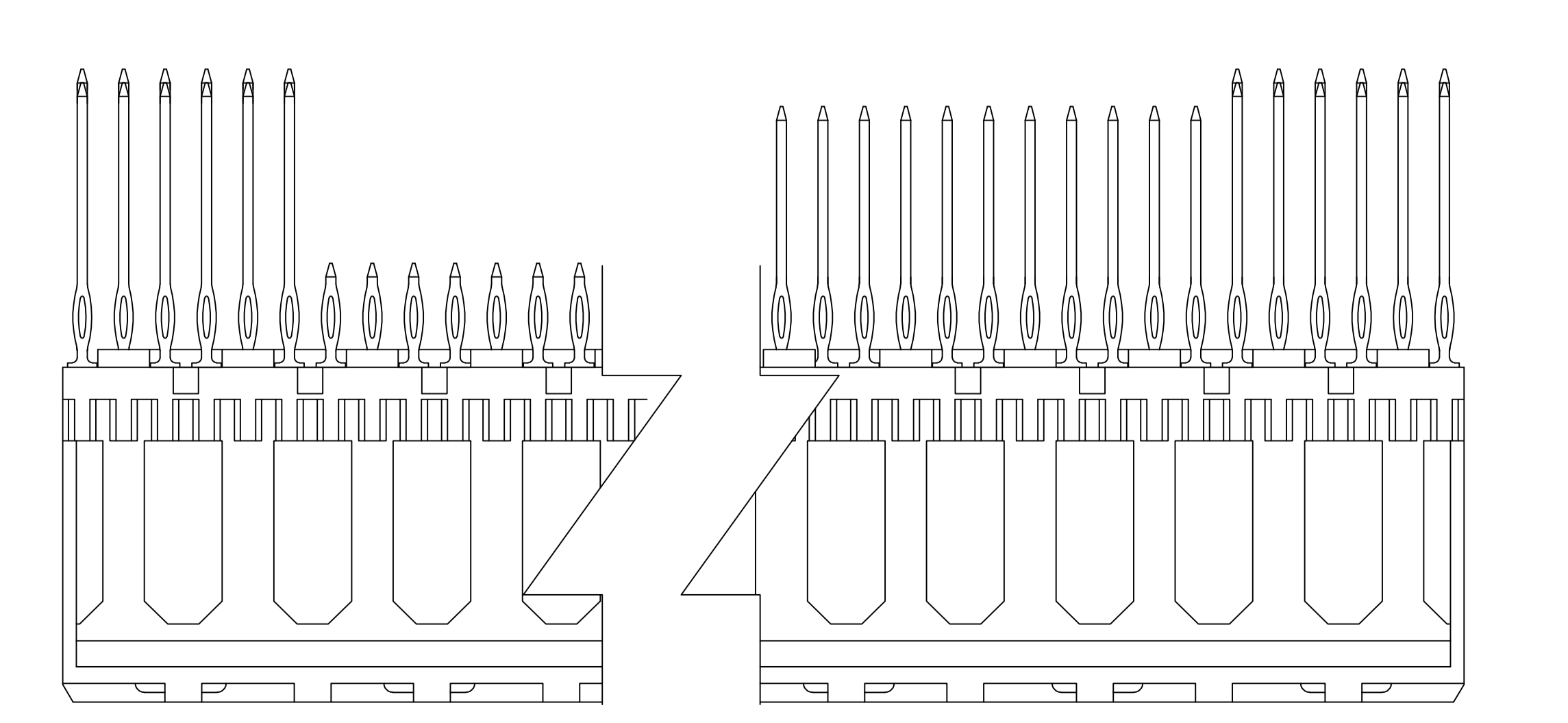
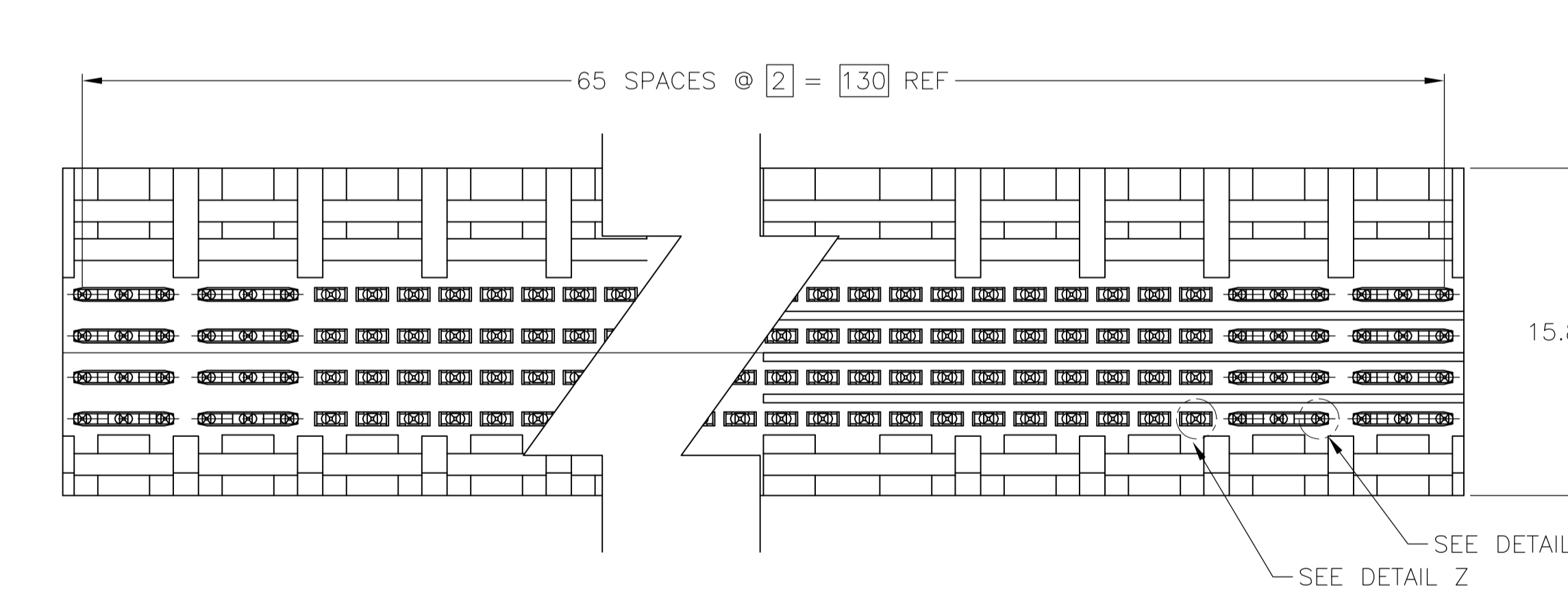
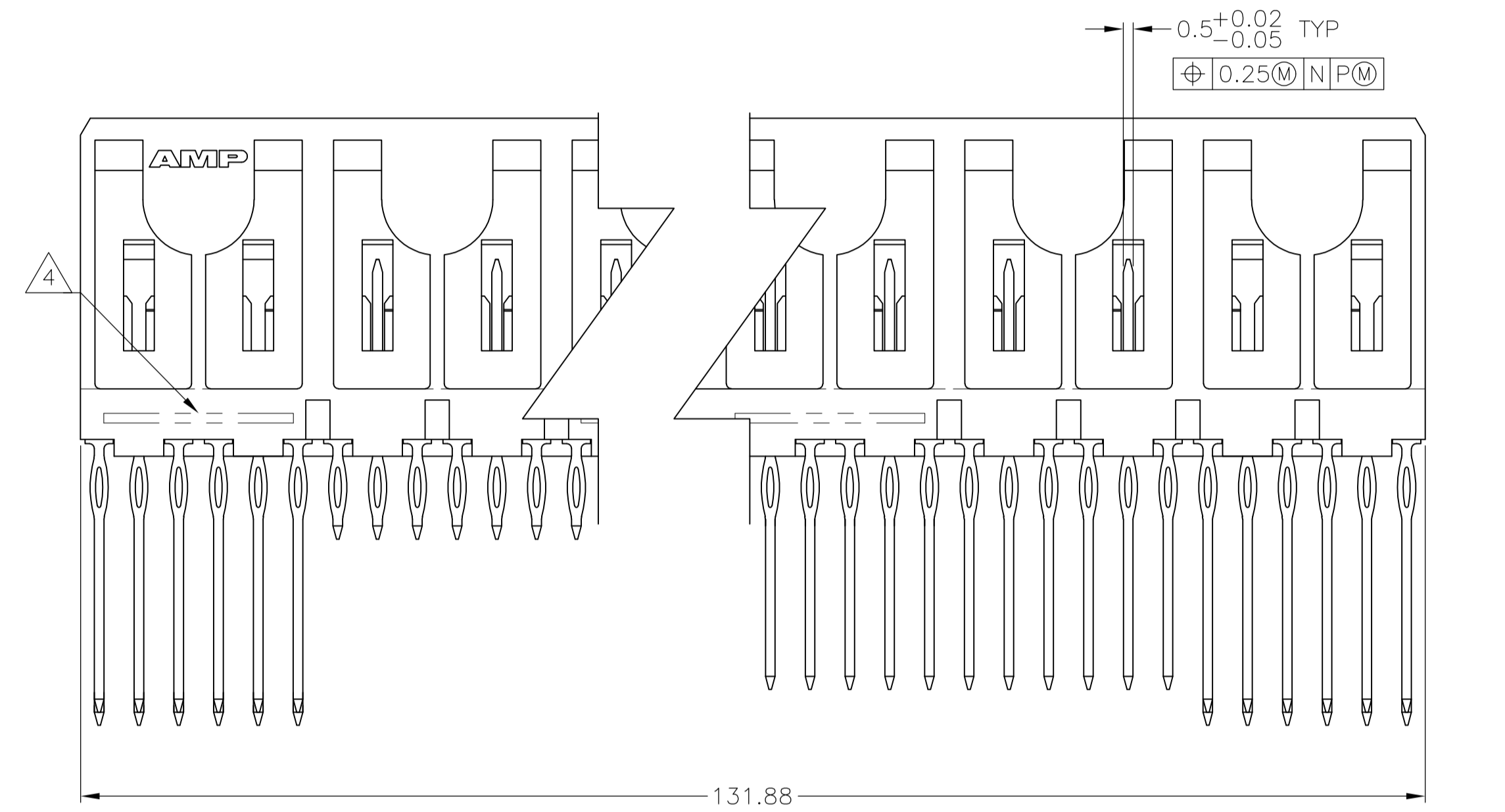
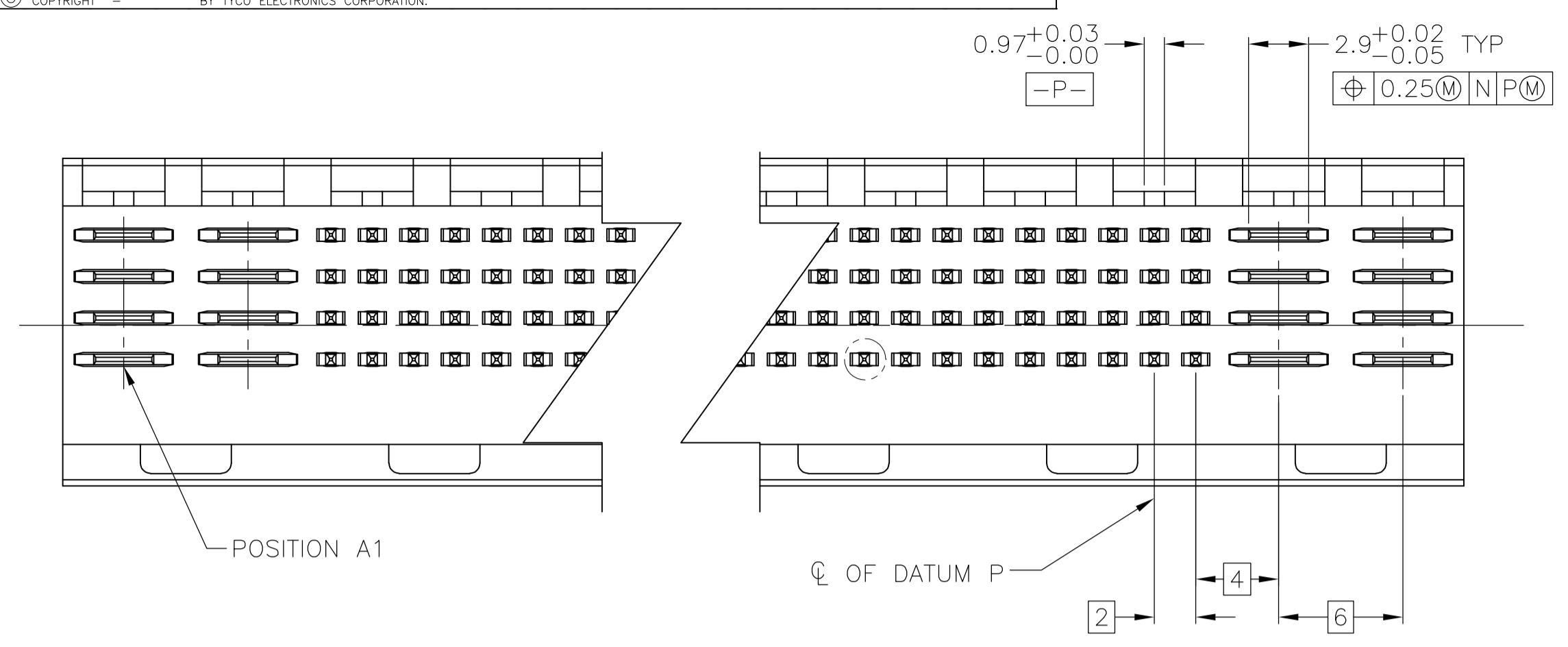


LOC		DIST		REVISIONS				
AD	00	P	LTR	DESCRIPTION	DATE	DN	APVD	
				SEE SHEET 1				



RECOMMENDED CIRCUIT PATTERN
 PER IPC-D300 TYPE II, CLASS C
 (COMPONENT SIDE)

3	216	16	5223166-1
FINISH	NO OF SIGNAL POSN	NO OF POWER POSN	PART NUMBER

THIS DRAWING IS A CONTROLLED DOCUMENT.		DIN 285PT2007		Tyco Electronics Corporation	
DIMENSIONS:		D. HUMBERT		Tyco Electronics Corporation	
TOLERANCES UNLESS OTHERWISE SPECIFIED:		20AUG2007		Harrisburg, PA, 17105-3608	
0. PLC ± -		A. SHARPE		NAME	
1. PLC ± -		A. SHARPE		PIN ASSEMBLY, SIGNAL/POWER MIX,	
2. PLC ± 0.13		20AUG2007		Z-PACK 2mm FB, PRESS FIT,	
3. PLC ± -		NAME		8 POWER - 216 SIGNAL - 8 POWER	
4. PLC ± -		APPLICATION SPEC		SIZE	
ANGLES ± -		SIZE		CAGE CODE DRAWING NO	
MATERIAL		WEIGHT		RESTRICTED TO	
FINISH		A1		00779	
CUSTOMER DRAWING		SCALE 4:1		SHEET 2 OF 2	
				REV B	