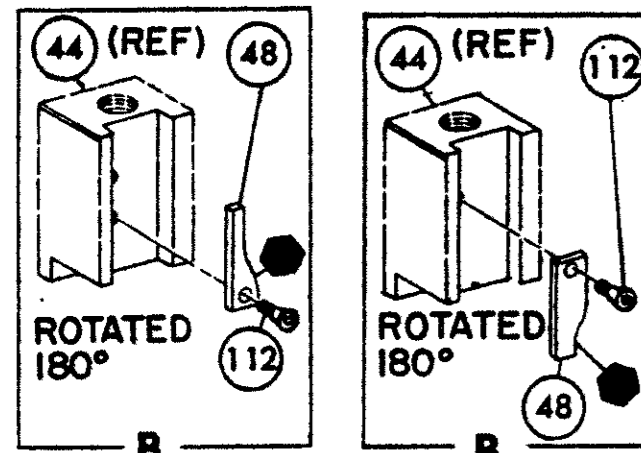


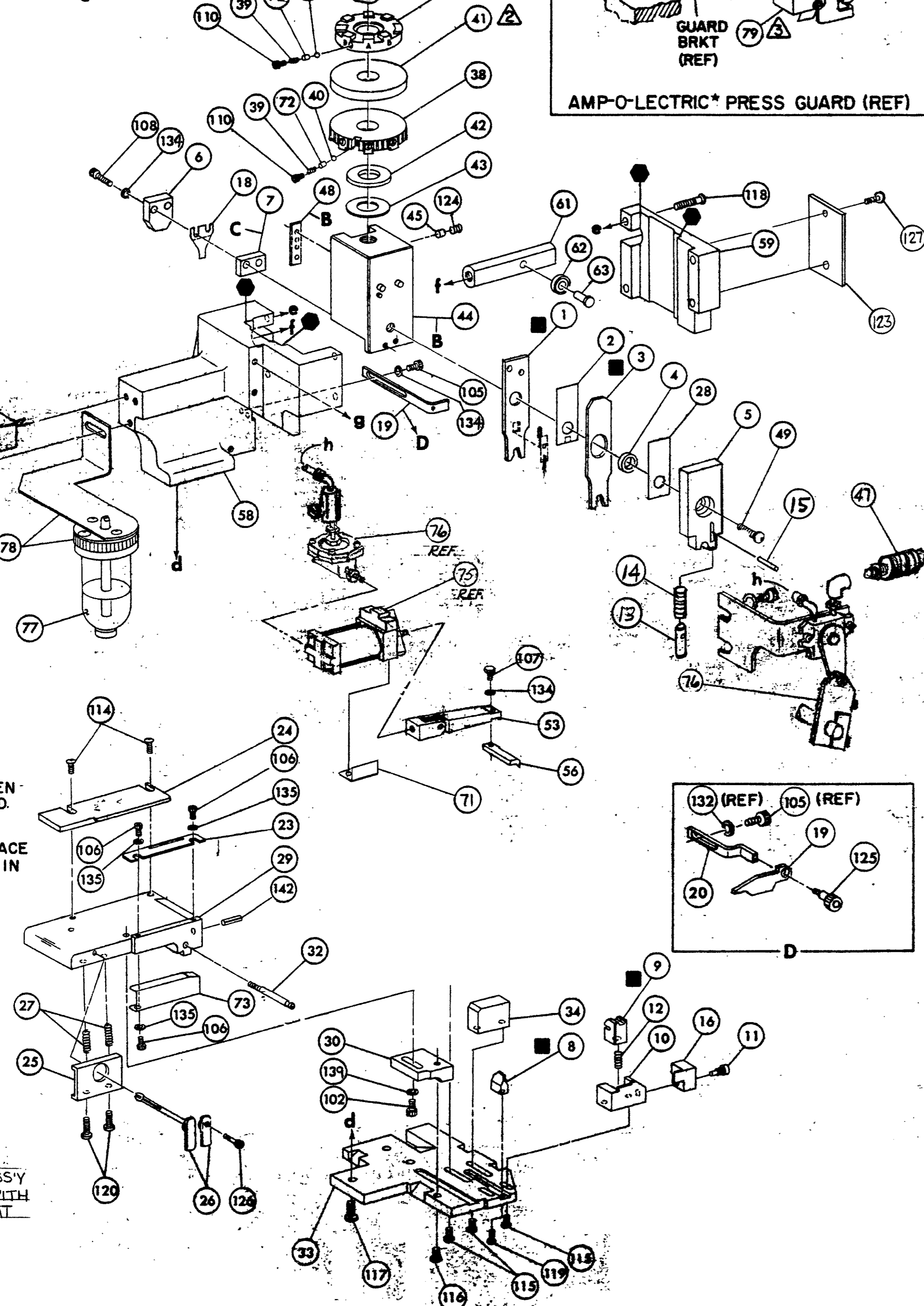
AMP-O-LECTRIC\* PRESS GUARD (REF)

PRE-FEED 1/8" STROKE  
POST-FEED 15/8" STROKE



THIS IS A CONTROLLED DOCUMENT.

- NOTES:
- I- ONLY THE ITEMS WITH QUANTITIES SPECIFIED ON PARTS LIST ARE USED ON THIS APPLICATOR.
  - △ USED IN PLACE OF ITEM 38 WHEN INSULATION CRIMP IS NOT USED.
  - △ GUARD MUST BE IN PLACE WHEN OPERATING APPLICATOR IN AMP-O-LECTRIC PRESS.
  - △ CUT TO LENGTH AT ASS'Y.
- KEY:
- -RECOMMENDED SPARE PARTS
  - ▲ -LUBRICATE DAILY USING NO. 20 MACHINE OIL.
  - GREASE LIGHTLY
  - △ MODIFY SHROUD OF GUARD ASS'Y (ITEM 79) FOR CLEARANCE WITH FEED FINGER (ITEM 53) AT ASS'Y.



QTY	PART NO	DESCRIPTION	ITEM	QTY	PART NO	DESCRIPTION	ITEM
	21045-3	RING, RETAINING (".187 DIA) FEED FINGER PIN	149		454220-1	CAP, HOUSING	59
	5-21028-1	PIN, SLOT SPR (.125 DIA X .50) ADJ ROD	143		454485-1	HOUSING	58
	4-21038-0	PIN, SLOT SPR (.093 DIA X .75) STR G PLATE	142		1-694433-6	PAWL, FEED	56
	1-21030-1	PIN, DOWEL (.187 DIA X .50) LEVER	141			PIN, FEED FINGER	55
	1-21030-6	PIN, DOWEL (.187 DIA X 1.25) HOUSING	140			SPRING, FEED FINGER	54
	21024-5	WASHER, LOCK (NO 10) LUB ASSY	139		461062-1	FEED FINGER ASS'Y	53
	21024-5	WASHER, LOCK (NO 10) STRIP GUIDE ADJ BLOCK	138			LEVER, TERMINAL FEED ARM	52
	21024-5	WASHER, LOCK (NO 10) ADJ PLATE	137		811242-2	BUMPER, HOLDDOWN	51
	21024-5	WASHER, LOCK (NO 10) FEED GUIDE ROD	136		690753-1	SPACER, TONKOR	50
	21024-2	WASHER, LOCK (NO 4) FRONT STRIP GUIDE	135		7-21002-9	BOLT, CRIMPER	49
	21024-4	WASHER, LOCK (NO 8) FEED FINGER	134			CAM FEED STROKE	48
	21024-4	WASHER, LOCK (NO 8) DEPRESSOR	133		24042-2	VALVE, SHUT-OFF	47
	21024-4	WASHER, LOCK (NO 8) STRIPPER	132		459456-1	APPLICATOR, BASIC (SUB ASSY)	46
	21899-4	WASHER, FLAT (5/16 DIA) SCREW ADJ	131		690191-1	PLUG, NYLON	45
	21899-2	WASHER, FLAT (NO 10) LUB ASSY	130		455673-1	RAM	44
	21068-5	NUT, HEX MACH (6-32) HOLDDOWN	129		690125-1	WASHER, LAMINATED	43
	21068-5	NUT, HEX MACH (6-32) FEED ADJ	128		690124-1	WASHER, RAM	42
	21017-2	SCR, DRIVE # 2 X .19	127			DISC, SPACER	41
	22353-8	SCR, SHLD. (.187 DIA X .250 LG) DRAG LEVER	126		23241-6	BALL, STEEL	40
	456567-1	SCR, SHD. D1188 DIA X .125 LG STRIPPER	125		690170-1	SPRING, COMPRESSION	39
	21009-2	SCR, SKT SET (1/4-20 X .25)(LOC-WEL) RAM	124		690142-1	DISC, INSULATION	38
	461264-1	PLATE, IDENTIFICATION	123		5-692155-0	DISC, WIRE	37
	3-21064-2	SCR, RD HD MACH (6-32 X 1.50) FEED ADJ	122		22480-5	WASHER, SPRING	36
	4-21002-8	SCR, BUT HD SKT CAP (3/16-16 X 1.00) AIR FEED	121		690212-1	POST, RAM	35
	2-21002-9	SCR, BUT HD SKT CAP (10-32 X .75) DRAG	120		690786-3	SUPPORT, TERMINAL	34
	22733-8	SCR, BUT HD SKT CAP (8-32 X .38) (LOC-WEL) ANVIL	119		455675-1	PLATE, BASE	33
	2-21002-9	SCR, BUT HD SKT CAP (10-32 X .75) CAP	118		690432-3	SCREW, ADJUSTMENT	32
	17177-1	SCR, BUT HD SKT CAP (1/4-20 X .75) HOUSING	117				31
	2-21002-7	SCR, BUT HD SKT CAP (10-32 X .50) SG ADJ BLOCK	116		455689-1	BLOCK, STRIP GUIDE ADJ	30
	2-21002-2	SCR, BUT HD SKT CAP (8-32 X .50) SHEAR	115		2-458144-6	PLATE, STRIP GUIDE	29
	2-21002-3	SCR, BUT HD SKT CAP (8-32 X .62) R STRIP GUIDE	114		1-455888-0	SPACER, FRONT SHEAR DEPRESSOR	28
	1-21002-8	SCR, BUT HD SKT CAP (6-32 X .38) CAM	113		1-22284-0	SPRING, DRAG	27
	3-21000-4	SCR, SKT HD CAP (10-32 X .38) LUBRICATOR ASSY	111		240793-1	LEVER, DRAG RELEASE	26
	23030-1	SCR, SKT HD CAP (6-32 X .25) (LOC-WEL) CP DISC	110		240792-1	DRAG, STOCK	25
	3-21000-0	SCR, SKT HD CAP (6-32 X .25) REAR SHEAR PLATE	109		9-690504-1	GUIDE STRIP (REAR)	24
	2-22603-1	SCR, HEX HD MACH (8-32 X .38) FEED FINGER	107		690438-4	GUIDE, STRIP (FRONT)	23
	1-21000-3	SCR, SKT HD CAP (4-40 X .25) F STRIP GUIDE	106		459610-1	MOUNT, FEED BRACKET	22
	2-21000-7	SCR, SKT HD CAP (8-32 X .50) STRIPPER	105		4-22284-9	SPRING, FEED RETURN	21
	4-21000-3	SCR, SKT HD CAP (10-32 X 2.00) FEED ROD GUIDE	104		458950-1	ARM, STRIPPER	20
	3-21000-6	SCR, SKT HD CAP (10-32 X .62) FEED ADJ BLOCK	103		690472-4	STRIPPER	19
	3-21000-4	SCR, SKT HD CAP (10-32 X .38) SG ADJ BLOCK	102		1-690518-8	HOLDER, TERMINAL	18
	3-21000-4	SCR, SKT HD CAP (10-32 X .38) PIVOT BLOCK	101			GUARD, CHIP (REAR)	17
	455755-3	GUARD ASSY	79		2-21949-1	GUARD, CHIP (FRONT)	16
	1-465184-0	LUBRICATOR ASSY	78		3-22278-0	PIN, SPIRAL WRAPPED	15
	REF 852931-2	OIL, LUBRICATING	77		458564-2	SPRING, COMPRESSION	14
	690655-1	VALVE ASS'Y-692655-5	76		5-22280-0	HOLD DOWN, CHIP	13
	461065-2	AIR FEED ASS'Y	75		690461-2	SPRING, SHEAR	12
	461690-1	SPACER, AIR FEED	74		1-690459-0	STOP, SHEAR	11
	4-4877-3	PLATE, STRIP GUIDE COVER	73		454276-5	HOLDER, SHEAR (FRONT)	10
	690603-1	SPRING, ASSIST	72		5-803653-8	SHEAR, FLOAT (FRONT)	9
	460914-1	GUARD, AIR CYLINDER	71		4-240641-7	ANVIL	8
		NUT, HEX	70			SPACER, DEPRESSOR (REAR)	7
		PLATE, ADJUSTMENT	69		682599-3	DEPRESSOR, SHEAR (REAR)	6
		SHAFT, PIVOT	68		238011-4	DEPRESSOR, SHEAR (FRONT)	5
		BUSHING	67		9-456134-7	SPACER, TUBULAR, INS CRIMPER	4
		LEVER, INTERMEDIATE	66		455888-1	CRIMPER, INSULATION	3
		BLOCK, PIVOT	65		456408-6	SPACER, CRIMPER	2
		SCREW, ADJUSTMENT FEED ROD	64			CRIMPER, WIRE	1
		PIN, CAM ROLLER	63				
		ROLLER, CAM	62				
		ROD, FEED	61				
		GUIDE, FEED ROD	60				

CRIMPING DATA				APPLICATOR WILL APPLY	
PAD LTR	CRIMP HEIGHT	WIRE SIZE	WIRE LENGTH	770321	
A	.074	14		1742174	
B	.064	16			
C	.058	18			
D	NOT USED				
CRIMP	SIZE	TYPE	FEED	APPL INST	
WIRE	.110	F	1.250	A1 8040	
INSUL	.180	F			
WIRE RANGE	INSULATION RANGE	PRESS NO	REMARKS		
18-14	.156 MAX.	565435-5	AMP-O-LECTRIC AIR-FEED		

REMARKS	NO	REV
APPL USED ON MACHINE PART NO	MACH SERIAL NO	DISTRIBUTION
CUSTOMER NAME	APPL SERIAL NO	ORIGINAL
ADDRESS	PURCHASE ORDER	CUSTOMER COPY
CITY	ENG APP	FIELD ENG COPY

567254-2