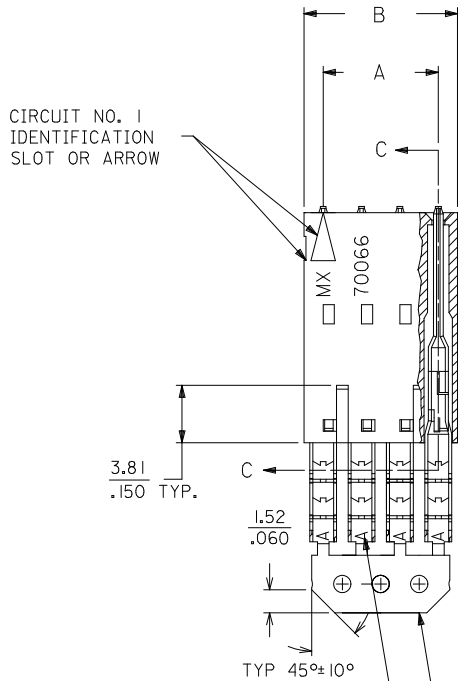
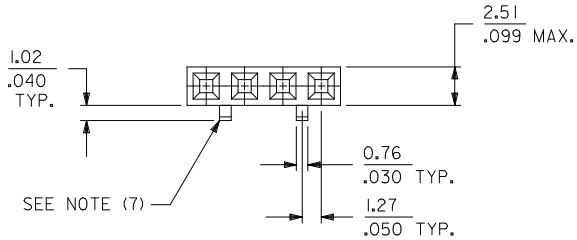


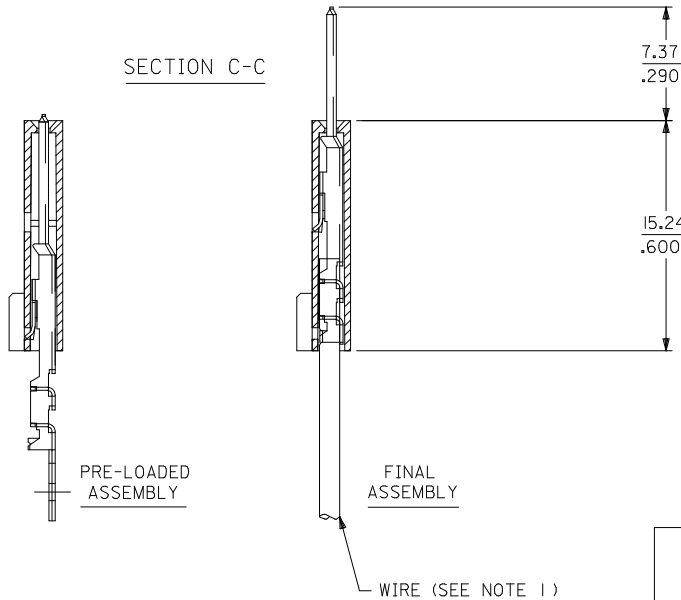
# OPTION D

## NOTES:

- MATERIAL: HOUSING - G.F. POLYESTER, 94V-0  
TERMINAL - PHOSPHOR BRONZE
- FINISH: 0.38MICROMETERS/15 MICROINCHES MINIMUM  
GOLD IN MATING AREA WITH 1.88 MICROMETERS/75  
MICROINCHES MINIMUM TIN IN IDT AREA OVER NICKEL  
UNDERPLATE OVER-ALL.
- PRODUCT SPECIFICATION: PS-70400
- TO BE USED WITH 24 AWG. STANDARD WIRE WITH  
1.35/.053 DIAMETER MAXIMUM INSULATION.
- SEE CHART FOR CIRCUIT SIZES.
- STANDARD PACKAGING PER PK-70873-0001. OPTIONAL  
PACKAGING MAY BE AVAILABLE. REQUEST DRAWING  
PK-70475.
- PARTS STACKABLE END TO END ON 2.54/.100 CENTERS
- SEE DRAWING SDA-70457-\*\*\*\* (SHEET 3) FOR OPTIONAL  
HOUSING DETAILS.
- 4 CIRCUIT SHOWN. 3-25 CIRCUITS HAVE 2 RIBS.
- TO MATE WITH MOLEX PART NUMBERS: 70018-0000,  
70022-\*\*\*\*, 70104-\*\*\*\*.
- 2 CIRCUIT ASSEMBLIES SUPPLIED AS GROUPED PAIRS.



## SECTION C-C



CKT. SIZE	EDP NUMBER		
	A	B	
2	2.54 .100	5.05 .199	70475-1202
3	5.08 .200	7.59 .299	70475-1203
4	7.62 .300	10.13 .399	70475-1204
5	10.16 .400	12.67 .499	
6	12.70 .500	15.21 .599	70475-1206
7	15.24 .600	17.75 .699	70475-1207
8	17.78 .700	20.29 .799	70475-1208
9	20.32 .800	22.83 .899	70475-1209
10	22.86 .900	25.37 .999	70475-1210
11	25.54 1.000	27.91 1.099	
12	27.94 1.100	30.45 1.199	70475-1212
13	30.48 1.200	32.99 1.299	70475-1213
14	33.02 1.300	35.53 1.399	70475-1214
15	35.56 1.400	38.07 1.499	70475-1215
16	38.01 1.500	40.61 1.599	70475-1216
17	40.64 1.600	43.15 1.699	
18	43.18 1.700	45.69 1.799	70475-1218
19	45.72 1.800	48.23 1.899	70475-1219
20	48.26 1.900	50.77 1.999	70475-1220
21	50.80 2.000	53.31 2.099	
22	53.34 2.100	55.85 2.199	70475-1222
23	55.88 2.200	58.39 2.299	
24	58.42 2.300	60.93 2.399	70475-1224
25	60.96 2.400	63.47 2.499	70475-1225



I.D. SLOT CODE TO WIRE GAUGE CHART	
I.D. SLOT CODE	WIRE GAUGE
A	24 AWG.

PLATING CODE (STRIPE ON CARRIER STRIP)	
PLATING	COLOR
15 GOLD	YELLOW

ADD GEN TOLERANCES	QUALITY SYMBOLS	DESCRIPTION
EC NO: UCP2011-3892	▽=0	2011/06/27
DRWINMS IBARRA	▽=0	2011/07/07
CHKD:MORGAN	▽=0	
APPR:SMILLER		

GENERAL TOLERANCES (UNLESS SPECIFIED)	
mm	INCH
4 PLACES ± .010	± .0004
3 PLACES ± .010	± .0004
2 PLACES ± 0.25	± .010
1 PLACE ± 0.35	± .014
ANGULAR ± 1/2°	

DRAFT WHERE APPLICABLE  
MUST REMAIN  
WITHIN DIMENSIONS

DIMENSION STYLE	
MM/IN	
DRAWN BY	DATE
BSMART	08/15/2005
CHECKED BY	DATE
BARKER	08/15/2005
APPROVED BY	DATE
SMILLER	08/15/2005
MATERIAL NO.	
SEE TABLE	
SIZE	C

SCALE	DESIGN UNITS	THIRD ANGLE PROJECTION
4:1	INCH	☉
TITLE		
SALES ASSEMBLY SL CONNECTOR SINGLE ROW 2.54/.100 GRID		
Molex MOLEX INCORPORATED		
DOCUMENT NO.		SHEET NO.
SD-70475-001		1 OF 1
THIS DRAWING CONTAINS INFORMATION THAT IS PROPRIETARY TO MOLEX INCORPORATED AND SHOULD NOT BE USED WITHOUT WRITTEN PERMISSION		