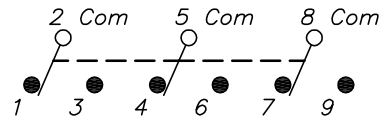


RECOMMENDED PANEL MOUNTING



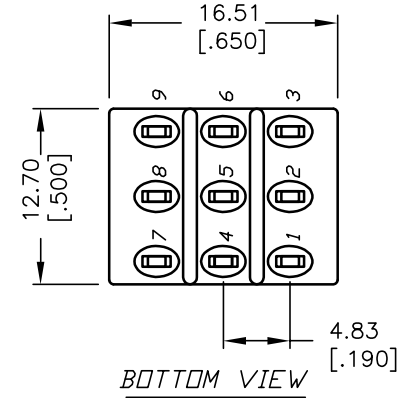
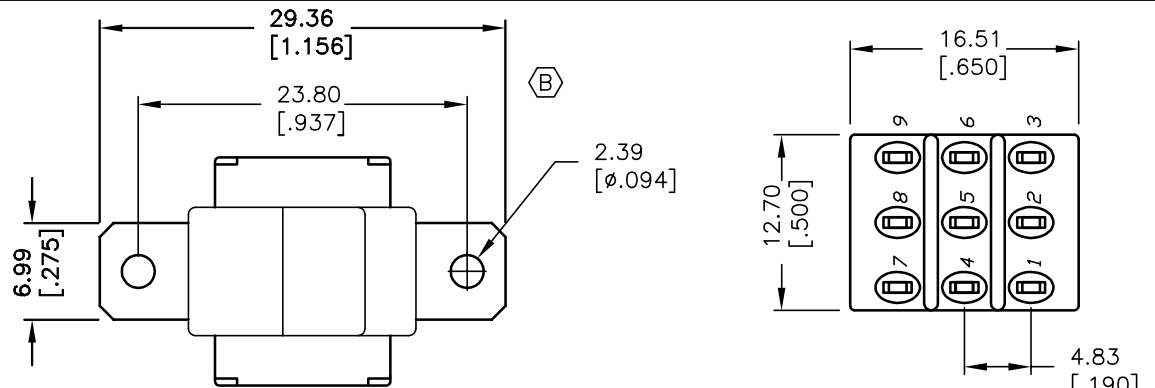
CIRCUIT: 3PDT

SWITCH FUNCTION		
PDS. 1	PDS. 2	PDS. 3
ON	OFF	<ON>
2-3,5-6,8-9	OPEN	2-1,5-4,8-7

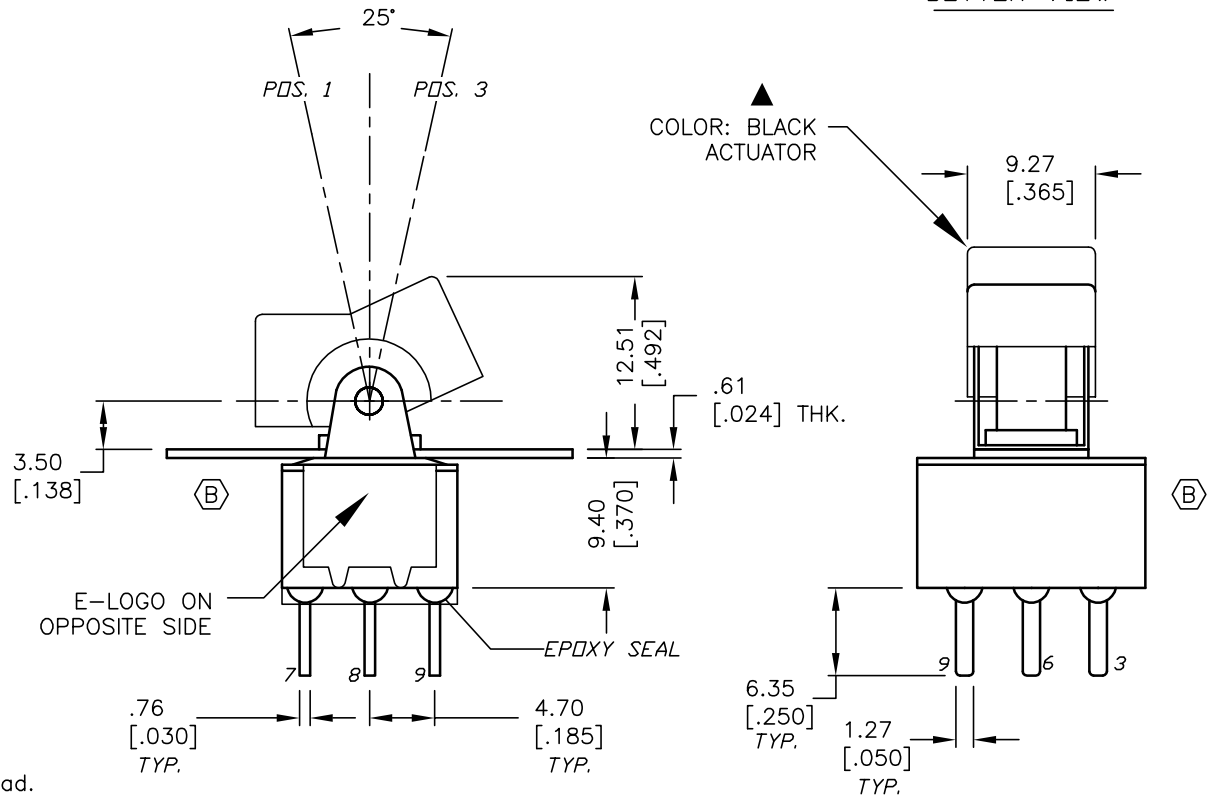
< >=MOMENTARY

NOTES:

1. ALL DIMENSIONS IN MM [INCH]
2. GENERAL TOLERANCE: X.X=±0.4;
X.XX=±0.25
3. TERM. NOS. FOR REF. ONLY
4. RATING: 0.4VA @20V AC or DC max.
5. CONTACT MATERIAL: Copper Alloy w/GOLD plating over Nickel plate.
6. ELECTRICAL LIFE:
50,000 make-and-break cycles at full load.
7. INSULATION RESISTANCE: 1,000M ohm min.
8. DIELECTRIC STRENGTH: 1,000 V RMS @sea level
9. OPERATION TEMP.: -30°C to +85°C
10. ▲ DENOTES CRITICAL PARAMETER.



BOTTOM VIEW



E-SWITCH®

TITLE

3003P5J1BLKM2RE

SCALE

2:1

DATE

5/23/03

DR

AR

DWG

T335001

REV

B

THE INFORMATION CONTAINED IN THIS DOCUMENT IS PROPRIETARY TO E-SWITCH AND IS NOT TO BE COPIED OR TRANSFERRED