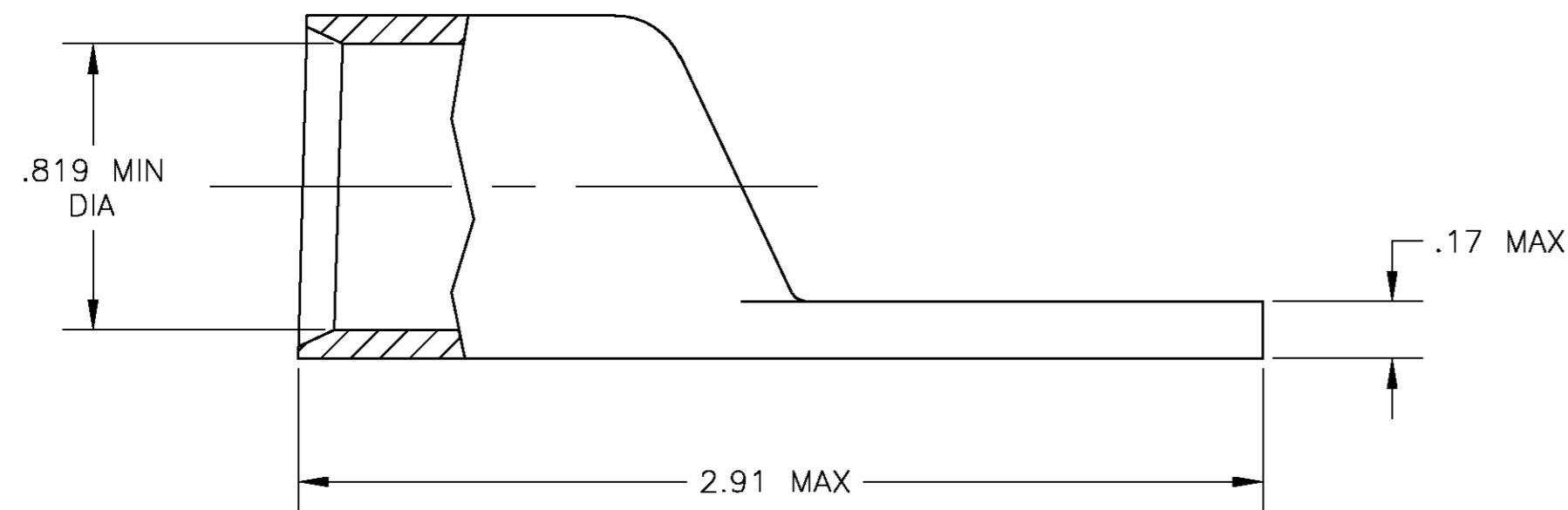
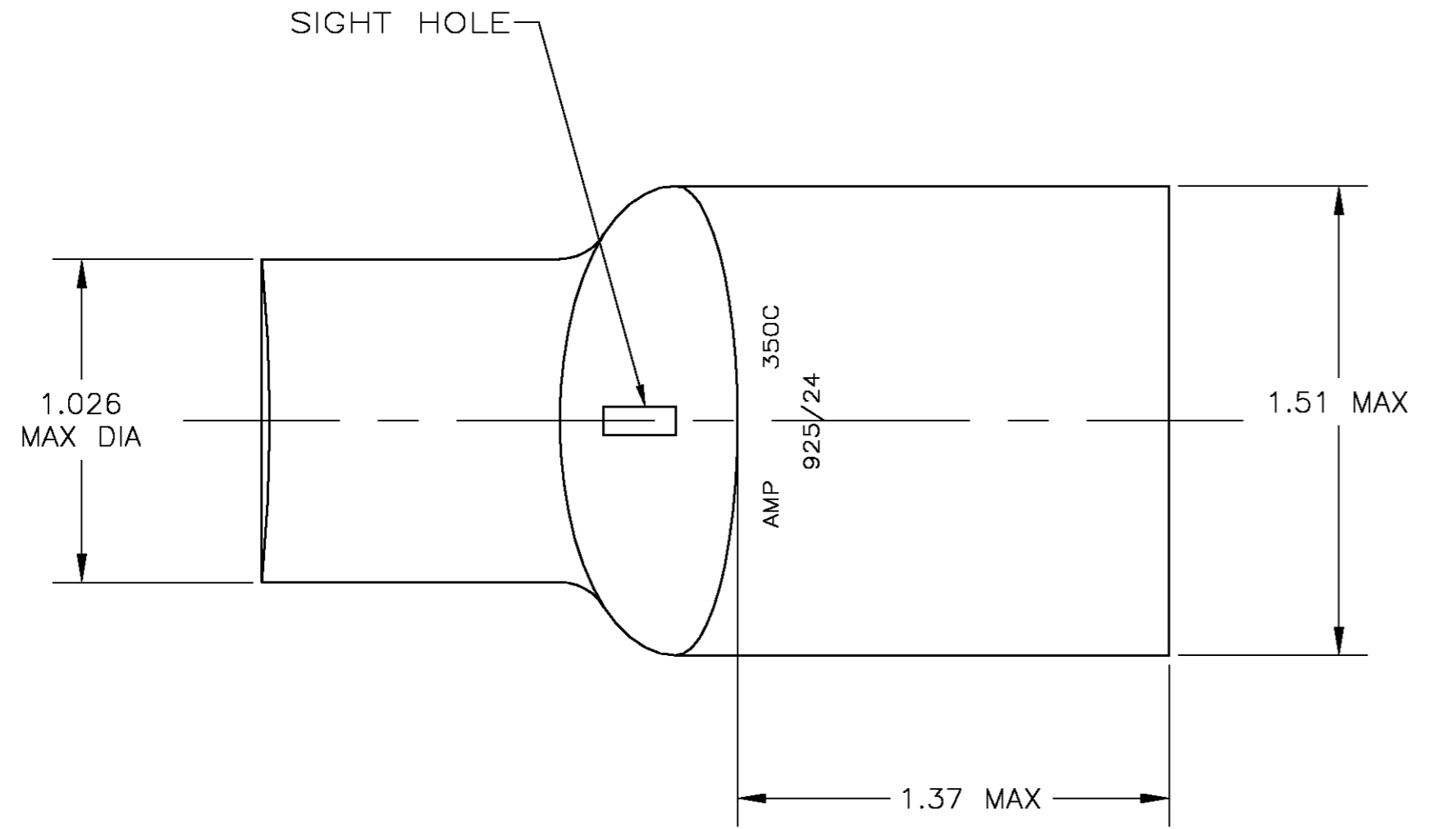


THIS DRAWING IS UNPUBLISHED. RELEASED FOR PUBLICATION  
 © COPYRIGHT BY TYCO ELECTRONICS CORPORATION. ALL RIGHTS RESERVED.

LOC	DIST	REVISIONS					
		P	LTR	DESCRIPTION	DATE	DWN	APVD
G	86	N		REV PER 0G3A-04B1-03	06AUG03	JR	MS



- 1 CIRCULAR MIL AREA RANGE: 325-375 MCM
- 2 TIN PL .000150 MIN THK PER ASTM B 545
- 3 CLEANED, UNPLATED
- 4 ANNEALED COPPER PER ASTM B-75

3	325906-3		
2	325906		
FINISH	PART NO.		
Tyco Electronics Corporation Harrisburg, PA 17105			
NAME: TERMINAL, AMPPOWER, WIRE SIZE: 350 MCM			
SIZE	CAGE CODE	DRAWING NO	RESTRICTED TO
A2	00779	C=325906	-
SCALE 2:1		SHEET 1 OF 1	REV N

THIS DRAWING IS A CONTROLLED DOCUMENT.		DWN DK SCHRUM 03/09/90
DIMENSIONS: INCHES		CHK MS FEHER 23JAN95
TOLERANCES UNLESS OTHERWISE SPECIFIED:		APVD M SPICER 23JAN95
0 PLC ± -	1 PLC ± -	PRODUCT SPEC 108-30200
2 PLC ± .020	3 PLC ± -	APPLICATION SPEC -
4 PLC ± -	ANGLES ± -	WEIGHT .207 LB
MATERIAL COPPER 4	FINISH SEE TABLE	CUSTOMER DRAWING

325906

A