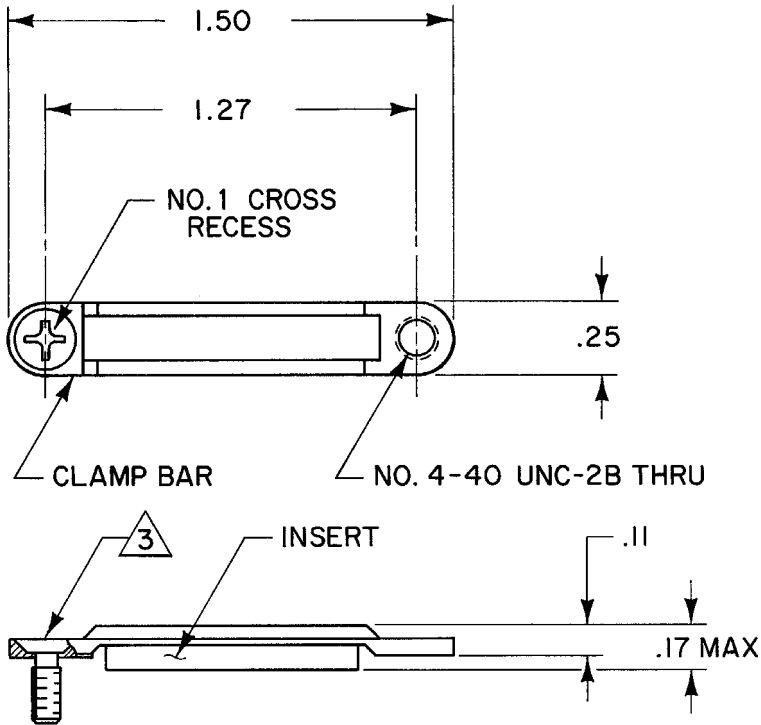


REVISIONS			
LTR	DESCRIPTION	DATE	APPROVED
C	REVISED PER ECN T-013037	99 Sept 28	JB

If this document is printed it becomes uncontrolled.  
Check with the web for latest revision.



NOTES:

- PART IS USED ON MTC TYPE PLUG AND RECEPTACLE ASSEMBLIES (TWO REQUIRED PER CONNECTOR ASSEMBLY).
- MATERIALS: CLAMP BAR - STAINLESS STEEL  
INSERT - FLUROSILICONE ELASTOMER

PART SUPPLIED WITH ONE CAPTIVATED D-659-0049 FLAT HEAD SCREW.

**SPECIFICATION CONTROL DRAWING** © Raychem Corporation 1982

WEIGHT:  
.0151 LBS  
[6.849gr.]  
MAX.

DRAWN	JAMAL	4-19-82	<b>Raychem</b> RAYCHEM CORPORATION 300 CONSTITUTION DRIVE MENLO PARK, CALIFORNIA 94025		
CHECKED	<i>[Signature]</i>	5/21/82			
APPROVED	<i>[Signature]</i>	5/28/82	TITLE <b>1" MTC CABLE CLAMP</b>		
APPROVED	<i>[Signature]</i>	5-28-82			
UNLESS OTHERWISE SPECIFIED DIMENSIONS ARE IN INCHES. TOLERANCE - .XX : ±.01			SIZE	CODE IDENT. NO.	DWG. NO.
DO NOT SCALE THIS DRAWING			<b>A</b>	<b>06090</b>	<b>D-659-0047</b>
			SHEET   OF		