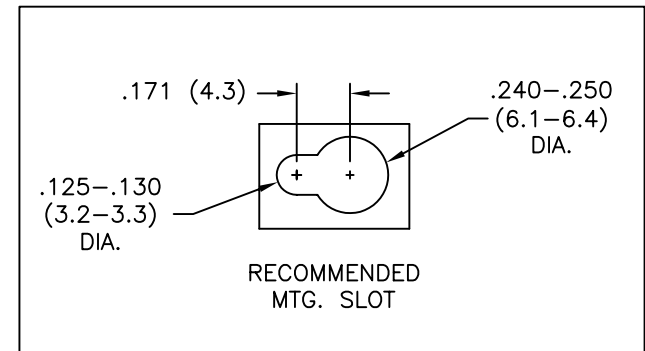
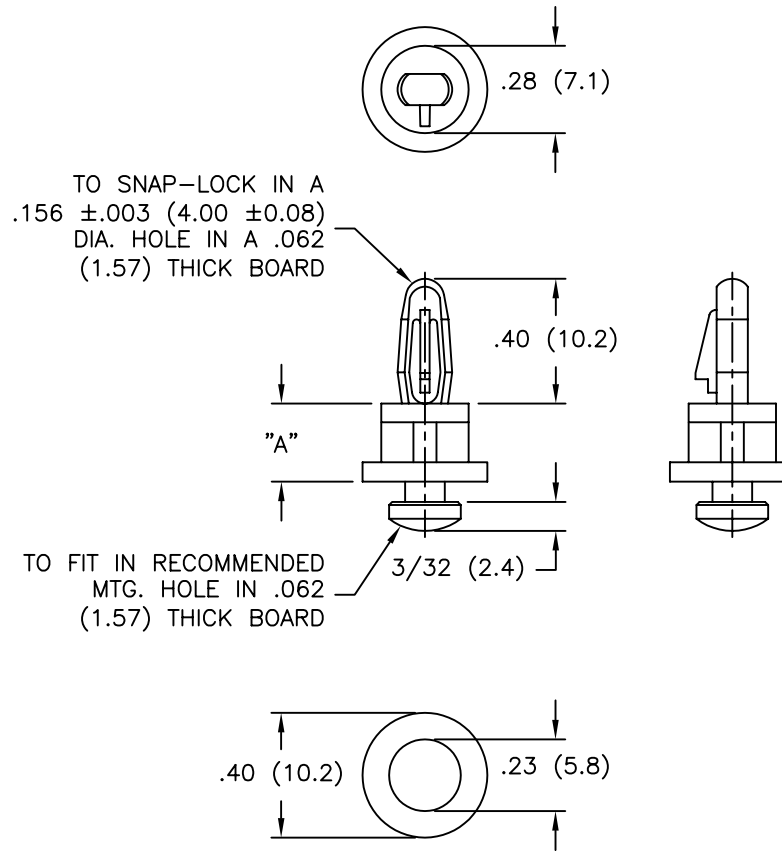


PART NO.	DIM. "A"
KSLBN-2-01	1/8 (3.2)
KSLBN-4-01	1/4 (6.4)
KSLBN-6-01	3/8 (9.5)
KSLBN-8-01	1/2 (12.7)



NOTES:

- MATERIAL: NYLON 6/6 (RMS-01).
FLAME RETARDANT, NYLON (RMS-19),
AVAILABLE BY SPECIAL ORDER ONLY.
- COLOR: NATURAL.

TITLE: KEY SLOT LOCKING B/N				DWG IN IN (MM)		FINAL			
TOLERANCES UNLESS NOTED .XX=±.010 .XXX=±.005 FRAC=±1/64 ANG=±1°		FILE # KSLBN		DWN: P.B.		APP:		PART #	
C		ADDED MAT'L FLAME RET. TO NOTES		SM 06.20.02		B		CHANGED FILE NO. AND TITLE BLOCK	
B		CHANGED FILE NO. AND TITLE BLOCK		SM 05.16.02		A		CONVERTED TO ACAD	
A		CONVERTED TO ACAD		PB 06.24.94		REV		DESCRIPTION	
REV		DESCRIPTION		ENGR DATE		RE: RICHCO, INC.		RICHCO INC. PO BOX 804238, CHICAGO, 60680 (773) 539-4060	
						SEE TABLE		PRINT TYPE CA	