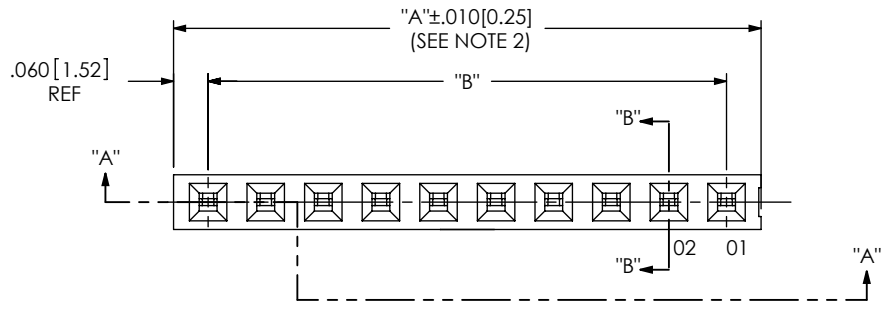


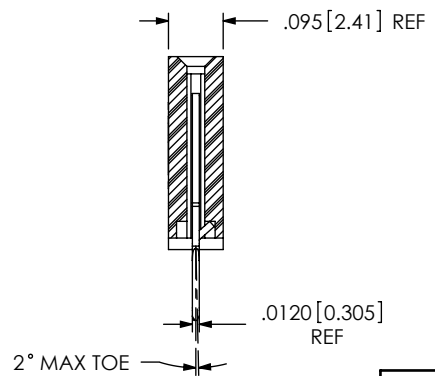
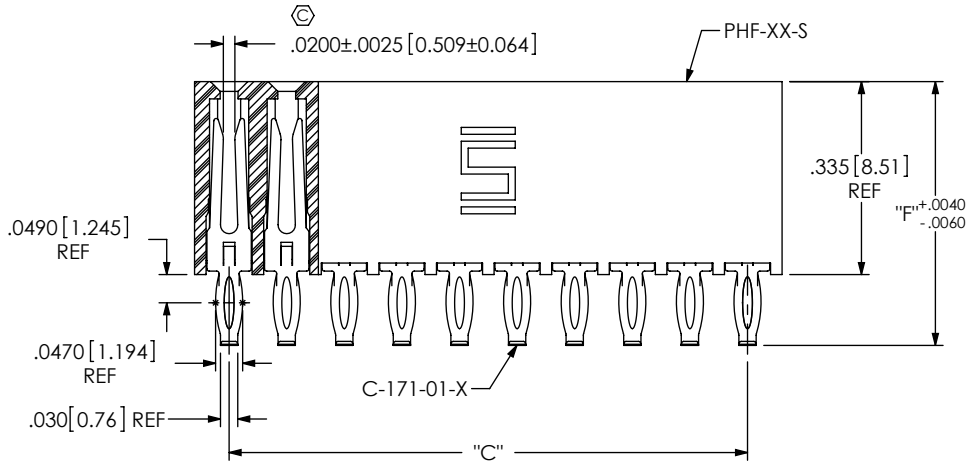
DO NOT SCALE FROM THIS PRINT

DESIGNED & DIMENSIONED IN INCHES[MILLIMETERS]

PHF-1XX-XX-X-X-XXX



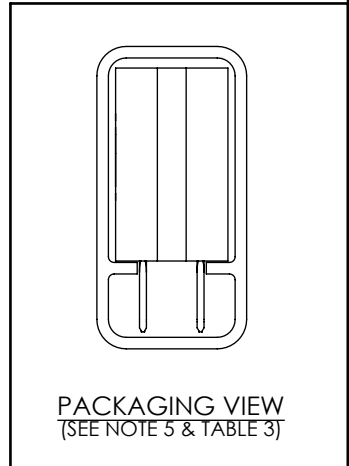
No OF POSITIONS
 -01 (SINGLE ROW ONLY)
 -02 THRU -50 (PER ROW)
 LEAD STYLE
 -01: (USE C-171-01-X)
 -02: (USE C-171-02-X)
 -03: (USE C-171-03-X)
 -04: (USE C-171-04-X)
 POLARIZATION OPTION
 -XXX INDICATES POSITION (USE PK-06-N)
 ROW SPECIFICATION
 -S: SINGLE
 -D: DOUBLE
 PLATING SPECIFICATION
 -S: SELECTIVE, .000030 GOLD ON POST, TIN ON TAIL
 -L: SELECTIVE, .000010 GOLD ON POST, TIN ON TAIL



SECTION "A"- "A"

SECTION "B"- "B"

FIG 1 (PHF-1XX-01-X-S SHOWN)



PACKAGING VIEW (SEE NOTE 5 & TABLE 3)

TABLE 1

LEAD STYLE	"E"	"F"
-01	N/A	.4580 [11.633]
-02	.4350 [11.049]	.5580 [14.173]
-03	.5350 [13.589]	.6580 [16.713]
-04	.6350 [16.129]	.7580 [19.253]

TABLE 3 - PACKAGING

LEAD STYLE	ROW SPEC.	TUBE	PLUG
-01	-S	PT-1-24-01-24	TP-24
	-D	PT-1-24-01-22	TP-03
-02	-S	PT-1-24-01-46	TP-24
	-D	PT-1-24-06-29	TP-03
-03	-S	PT-1-24-10-03	TP-24
	-D	PT-1-24-07T-109	TP-29
-04	-S	PT-1-24-10-03	TP-24
	-D	PT-1-24-01-71	TP-03

- NOTES:
- ⊙ REPRESENTS A CRITICAL DIMENSION.
 - MAXIMUM CUT FLASH: .020 [0.51].
 - MINIMUM CONTACT RETENTION: .5 LB PER PIN.
 - PARTS MAY BE CUT TO POS. ONE POS LOST PER CUT.
 - BULK PACKAGED TO BE USED FOR 4 POSITION AND BELOW, TUBE TO BE USED FOR 5 POSITION AND ABOVE.
 - MAX ALLOWABLE BOW .002[0.05] INCH/INCH AFTER ASSEMBLY.
 - PHF BODY IS NOT TO BE MORE THAN +/-0.01 [0.25] FROM PLANE SET BY PHF BODY.

UNLESS OTHERWISE SPECIFIED, DIMENSIONS ARE IN INCHES [MILLIMETERS]. TOLERANCES ARE:
 DECIMALS ANGLES
 .XX: ±.01 [.3] 2°
 .XXX: ±.005 [.13]
 .XXXX: ±.0020 [.051]

PROPRIETARY NOTE
 THIS DOCUMENT CONTAINS INFORMATION CONFIDENTIAL AND PROPRIETARY TO SAMTEC, INC. AND SHALL NOT BE REPRODUCED OR TRANSFERRED TO OTHER DOCUMENTS OR DISCLOSED TO OTHERS OR USED FOR ANY PURPOSE OTHER THAN THAT WHICH IT WAS OBTAINED WITHOUT THE EXPRESSED WRITTEN CONSENT OF SAMTEC, INC.

samtec
 520 PARK EAST BLVD, NEW ALBANY, IN 47150
 PHONE: 812-944-6733 FAX: 812-948-5047
 e-Mail: info@SAMTEC.com code 55322

DESCRIPTION: .100 PRESS FIT SOCKET ASSEMBLY

DWG. NO. PHF-1XX-XX-X-X-XXX

BY: ROY LUO 9/3/2009 SHEET 1 OF 4

MATERIAL: DO NOT SCALE DRAWING SHEET SCALE: 3:1

INSULATOR: LCP, UL 94 VO
 COLOR: BLACK
 CONTACT: PHOS BRONZE

F:\DWG\MISC\MKTG\PHF-1XX-XX-X-X-XXX-MKT.SLDDRW

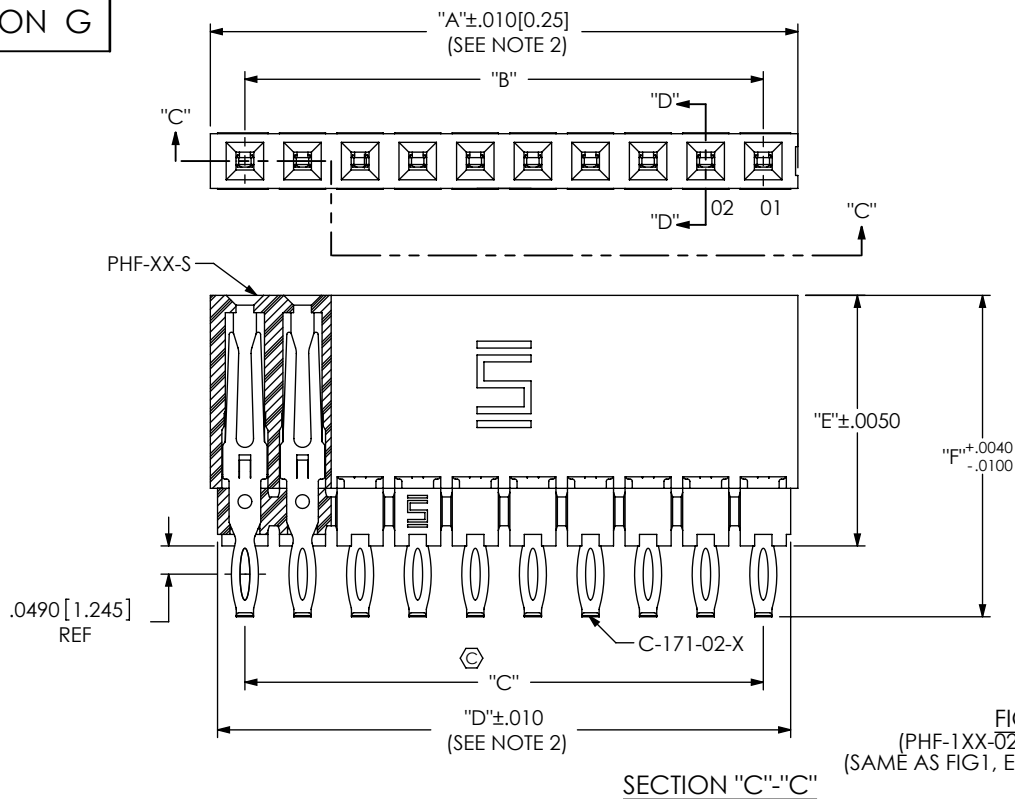
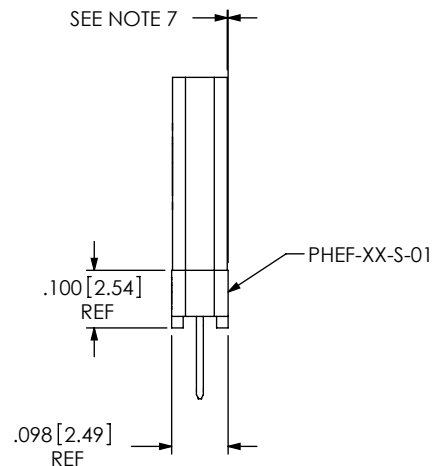


FIG 2
(PHF-1XX-02-X-S SHOWN)
(SAME AS FIG 1, EXCEPT AS SHOWN)



SECTION "D"-"D"

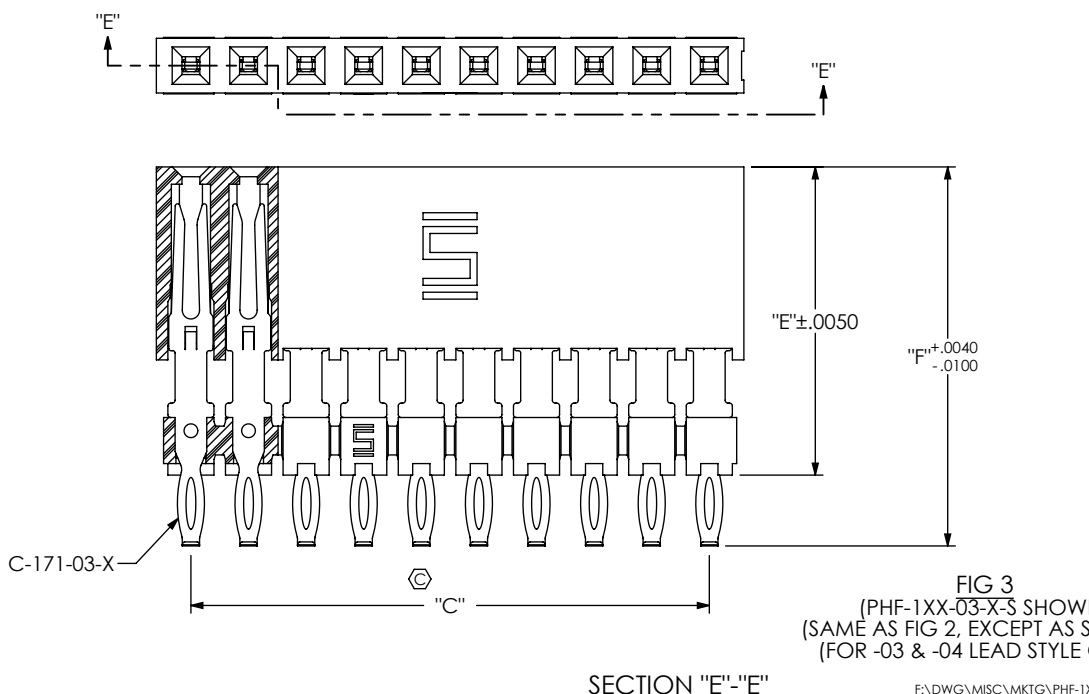
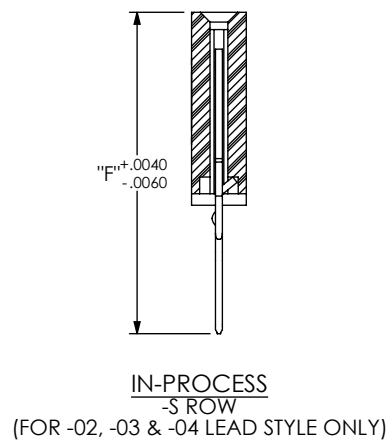


FIG 3
(PHF-1XX-03-X-S SHOWN)
(SAME AS FIG 2, EXCEPT AS SHOWN)
(FOR -03 & -04 LEAD STYLE ONLY)



PROPRIETARY NOTE
THIS DOCUMENT CONTAINS INFORMATION
CONFIDENTIAL AND PROPRIETARY TO
SAMTEC, INC. AND SHALL NOT BE REPRODUCED
OR TRANSFERRED TO OTHER DOCUMENTS OR
DISCLOSED TO OTHERS OR USED FOR ANY
PURPOSE OTHER THAN THAT WHICH IT WAS
OBTAINED WITHOUT THE EXPRESSED WRITTEN
CONSENT OF SAMTEC, INC.

DO NOT SCALE DRAWING
SHEET SCALE: 3:1

samtec

520 PARK EAST BLVD, NEW ALBANY, IN 47150
PHONE: 812-944-6733 FAX: 812-948-5047
e-Mail: info@SAMTEC.com code 55322

DESCRIPTION:
.100 PRESS FIT SOCKET ASSEMBLY

DWG. NO.
PHF-1XX-XX-X-X-XXX

BY: ROY LUO 9/3/2009 SHEET 2 OF 4

TABLE 2

No. OF POS	"A"		"B"		"C"		"D"	
-01	0.120	[3.05]	N/A		N/A		0.095	[2.41]
-02	0.220	[5.59]	0.100	[2.54]	0.100	[2.54]	0.195	[4.95]
-03	0.320	[8.13]	0.200	[5.08]	0.200	[5.08]	0.295	[7.49]
-04	0.420	[10.67]	0.300	[7.62]	0.300	[7.62]	0.395	[10.03]
-05	0.520	[13.21]	0.400	[10.16]	0.400	[10.16]	0.495	[12.57]
-06	0.620	[15.75]	0.500	[12.70]	0.500	[12.70]	0.595	[15.11]
-07	0.720	[18.29]	0.600	[15.24]	0.600	[15.24]	0.695	[17.65]
-08	0.820	[20.83]	0.700	[17.78]	0.700	[17.78]	0.795	[20.19]
-09	0.920	[23.37]	0.800	[20.32]	0.800	[20.32]	0.895	[22.73]
-10	1.020	[25.91]	0.900	[22.86]	0.900	[22.86]	0.995	[25.27]
-11	1.120	[28.45]	1.000	[25.40]	1.000	[25.40]	1.095	[27.81]
-12	1.220	[30.99]	1.100	[27.94]	1.100	[27.94]	1.195	[30.35]
-13	1.320	[33.53]	1.200	[30.48]	1.200	[30.48]	1.295	[32.89]
-14	1.420	[36.07]	1.300	[33.02]	1.300	[33.02]	1.395	[35.43]
-15	1.520	[38.61]	1.400	[35.56]	1.400	[35.56]	1.495	[37.97]
-16	1.620	[41.15]	1.500	[38.10]	1.500	[38.10]	1.595	[40.51]
-17	1.720	[43.69]	1.600	[40.64]	1.600	[40.64]	1.695	[43.05]
-18	1.820	[46.23]	1.700	[43.18]	1.700	[43.18]	1.795	[45.59]
-19	1.920	[48.77]	1.800	[45.72]	1.800	[45.72]	1.895	[48.13]
-20	2.020	[51.31]	1.900	[48.26]	1.900	[48.26]	1.995	[50.67]
-21	2.120	[53.85]	2.000	[50.80]	2.000	[50.80]	2.095	[53.21]
-22	2.220	[56.39]	2.100	[53.34]	2.100	[53.34]	2.195	[55.75]
-23	2.320	[58.93]	2.200	[55.88]	2.200	[55.88]	2.295	[58.29]
-24	2.420	[61.47]	2.300	[58.42]	2.300	[58.42]	2.395	[60.83]
-25	2.520	[64.01]	2.400	[60.96]	2.400	[60.96]	2.495	[63.37]
-26	2.620	[66.55]	2.500	[63.50]	2.500	[63.50]	2.595	[65.91]
-27	2.720	[69.09]	2.600	[66.04]	2.600	[66.04]	2.695	[68.45]
-28	2.820	[71.63]	2.700	[68.58]	2.700	[68.58]	2.795	[70.99]
-29	2.920	[74.17]	2.800	[71.12]	2.800	[71.12]	2.895	[73.53]
-30	3.020	[76.71]	2.900	[73.66]	2.900	[73.66]	2.995	[76.07]
-31	3.120	[79.25]	3.000	[76.20]	3.000	[76.20]	3.095	[78.61]
-32	3.220	[81.79]	3.100	[78.74]	3.100	[78.74]	3.195	[81.15]
-33	3.320	[84.33]	3.200	[81.28]	3.200	[81.28]	3.295	[83.69]
-34	3.420	[86.87]	3.300	[83.82]	3.300	[83.82]	3.395	[86.23]
-35	3.520	[89.41]	3.400	[86.36]	3.400	[86.36]	3.495	[88.77]
-36	3.620	[91.95]	3.500	[88.90]	3.500	[88.90]	3.595	[91.31]
-37	3.720	[94.49]	3.600	[91.44]	3.600	[91.44]	3.695	[93.85]
-38	3.820	[97.03]	3.700	[93.98]	3.700	[93.98]	3.795	[96.39]
-39	3.920	[99.57]	3.800	[96.52]	3.800	[96.52]	3.895	[98.93]
-40	4.020	[102.11]	3.900	[99.06]	3.900	[99.06]	3.995	[101.47]
-41	4.120	[104.65]	4.000	[101.60]	4.000	[101.60]	4.095	[104.01]
-42	4.220	[107.19]	4.100	[104.14]	4.100	[104.14]	4.195	[106.55]
-43	4.320	[109.73]	4.200	[106.68]	4.200	[106.68]	4.295	[109.09]
-44	4.420	[112.27]	4.300	[109.22]	4.300	[109.22]	4.395	[111.63]
-45	4.520	[114.81]	4.400	[111.76]	4.400	[111.76]	4.495	[114.17]
-46	4.620	[117.35]	4.500	[114.30]	4.500	[114.30]	4.595	[116.71]
-47	4.720	[119.89]	4.600	[116.84]	4.600	[116.84]	4.695	[119.25]
-48	4.820	[122.43]	4.700	[119.38]	4.700	[119.38]	4.795	[121.79]
-49	4.920	[124.97]	4.800	[121.92]	4.800	[121.92]	4.895	[124.33]
-50	5.020	[127.51]	4.900	[124.46]	4.900	[124.46]	4.995	[126.87]

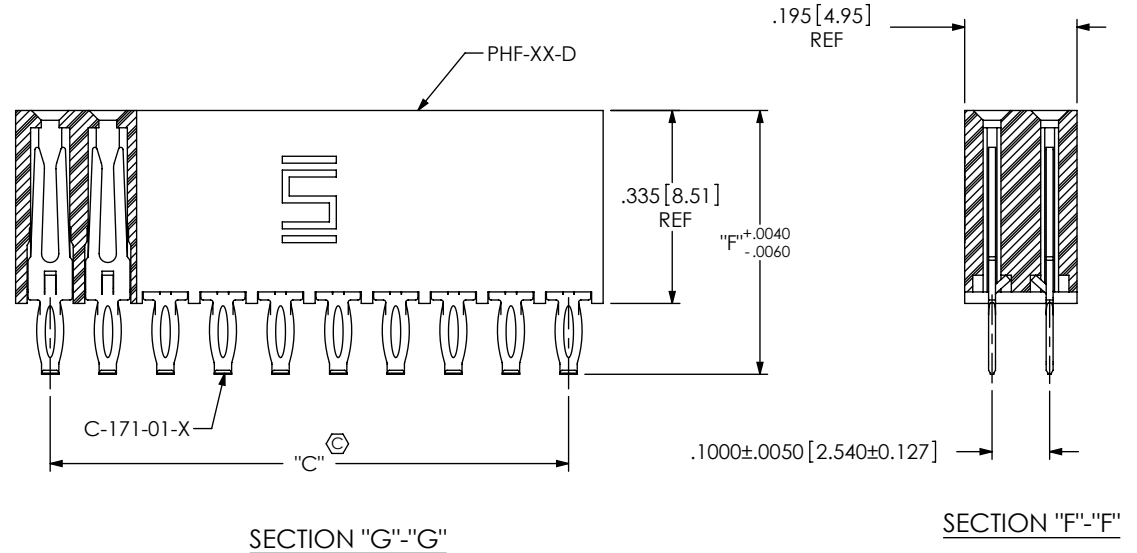
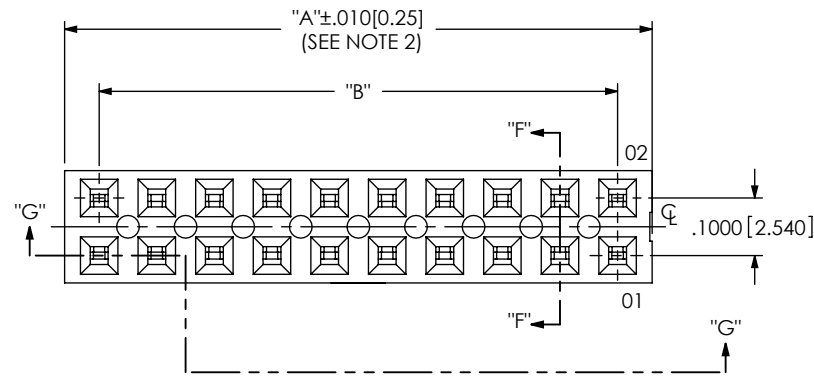


FIG 4
(PHF-1XX-0T-X-D SHOWN)
(SAME AS FIG 1, EXCEPT AS SHOWN)

PROPRIETARY NOTE
THIS DOCUMENT CONTAINS INFORMATION
CONFIDENTIAL AND PROPRIETARY TO
SAMTEC, INC. AND SHALL NOT BE REPRODUCED
OR TRANSFERRED TO OTHER DOCUMENTS OR
DISCLOSED TO OTHERS OR USED FOR ANY
PURPOSE OTHER THAN THAT WHICH IT WAS
OBTAINED WITHOUT THE EXPRESSED WRITTEN
CONSENT OF SAMTEC, INC.

DO NOT SCALE DRAWING

SHEET SCALE: 3:1

samtec
520 PARK EAST BLVD, NEW ALBANY, IN 47150
PHONE: 812-944-6733 FAX: 812-948-5047
e-Mail: info@SAMTEC.com code 55322

DESCRIPTION:
.100 PRESS FIT SOCKET ASSEMBLY

DWG. NO.
PHF-1XX-XX-X-X-XXX

BY: ROY LUO 9/3/2009 SHEET 3 OF 4

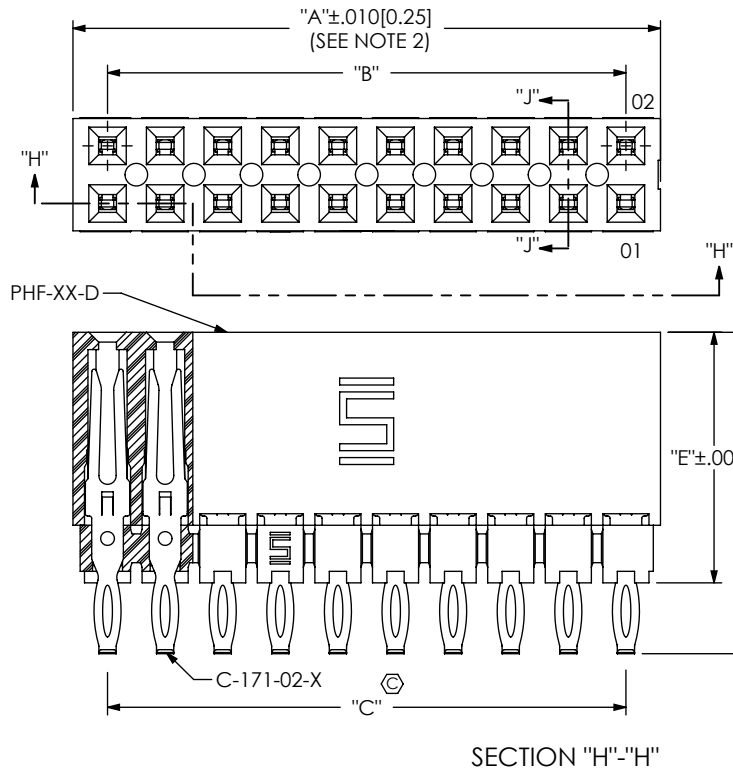


FIG 5
(PHF-1XX-02-X-D SHOWN)
(SAME AS FIG 4, EXCEPT AS SHOWN)

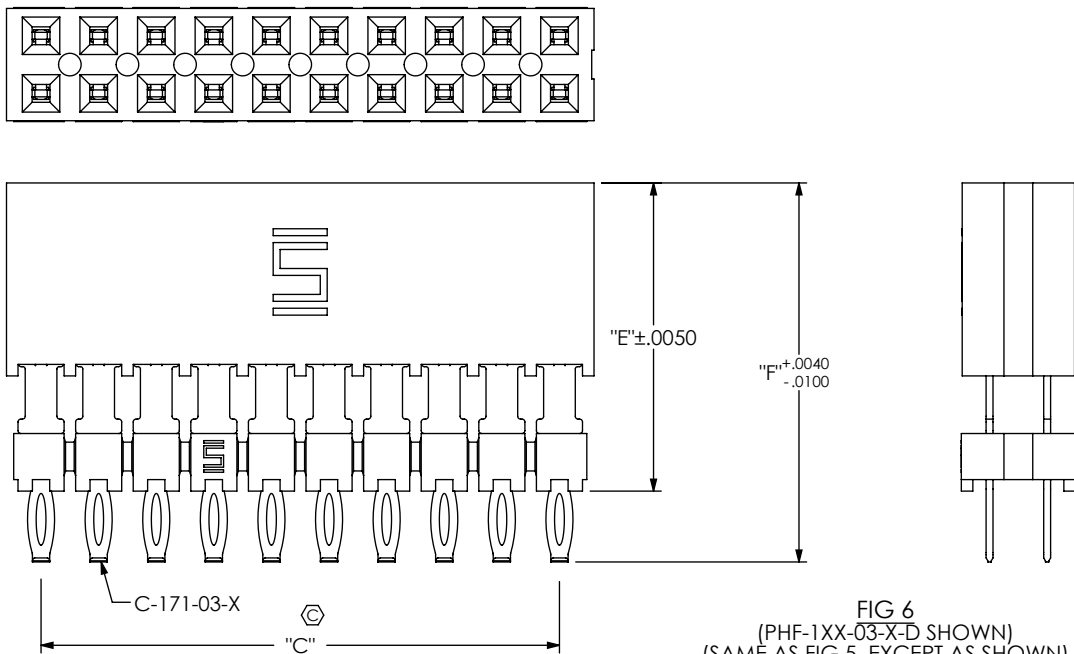
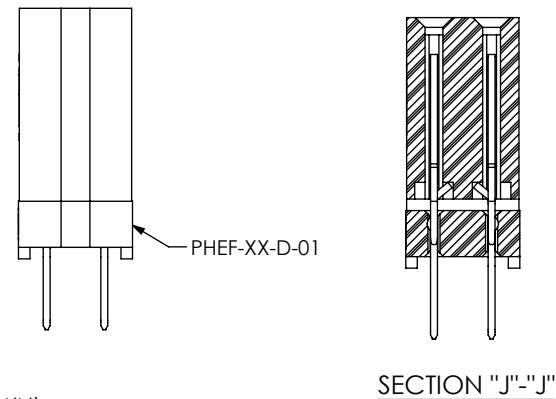
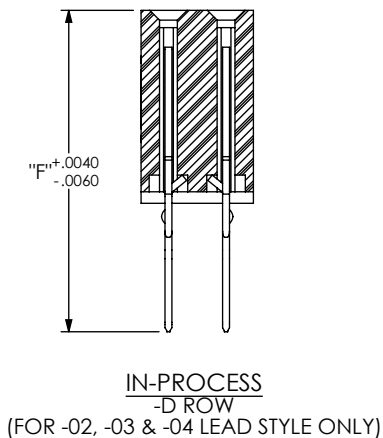


FIG 6
(PHF-1XX-03-X-D SHOWN)
(SAME AS FIG 5, EXCEPT AS SHOWN)
(FOR -03 & -04 LEAD STYLE ONLY)



PROPRIETARY NOTE
THIS DOCUMENT CONTAINS INFORMATION
CONFIDENTIAL AND PROPRIETARY TO
SAMTEC, INC. AND SHALL NOT BE REPRODUCED
OR TRANSFERRED TO OTHER DOCUMENTS OR
DISCLOSED TO OTHERS OR USED FOR ANY
PURPOSE OTHER THAN THAT WHICH IT WAS
OBTAINED WITHOUT THE EXPRESSED WRITTEN
CONSENT OF SAMTEC, INC.

DO NOT SCALE DRAWING
SHEET SCALE: 3:1

samtec

520 PARK EAST BLVD, NEW ALBANY, IN 47150
PHONE: 812-944-6733 FAX: 812-948-5047
e-Mail info@SAMTEC.com code 55322

DESCRIPTION:
.100 PRESS FIT SOCKET ASSEMBLY

DWG. NO.
PHF-1XX-XX-X-X-XXX

BY: ROY LUO 9/3/2009 SHEET 4 OF 4