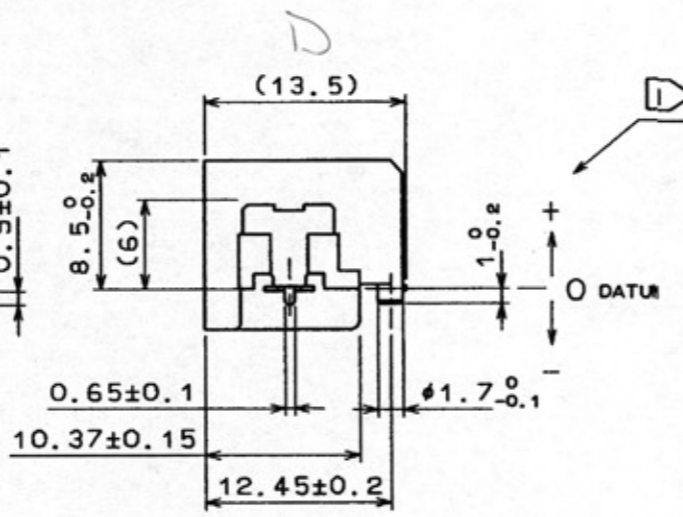
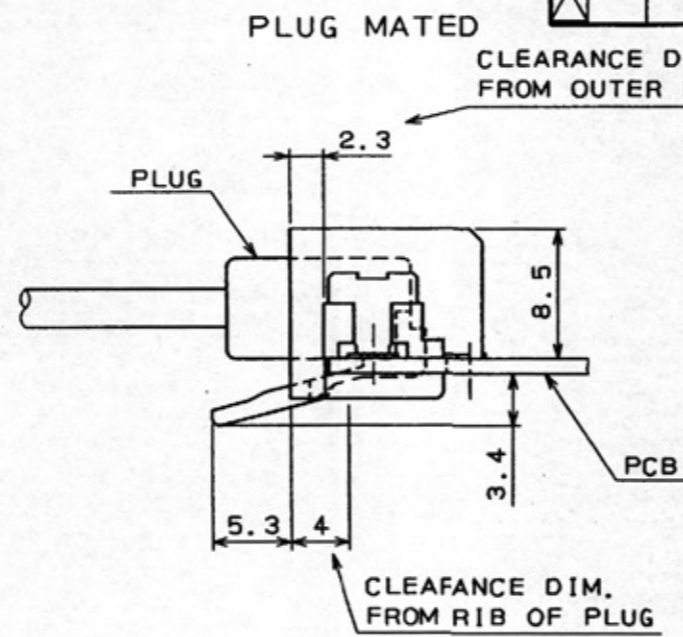
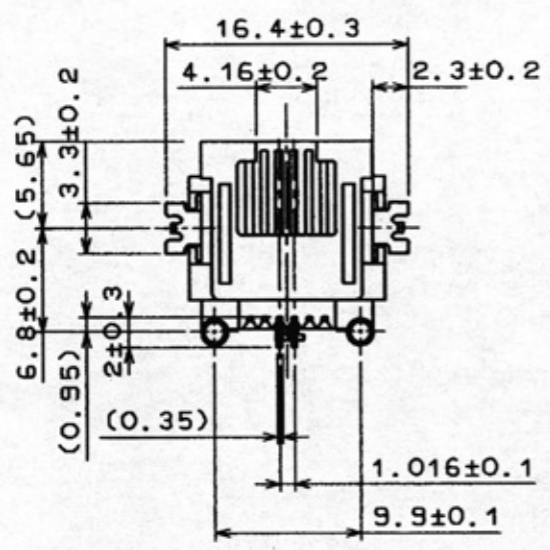
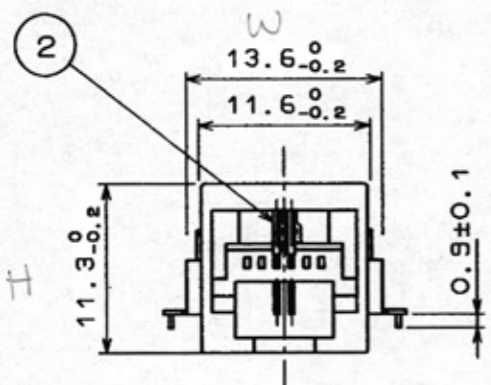
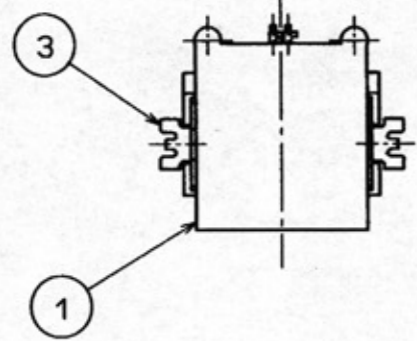
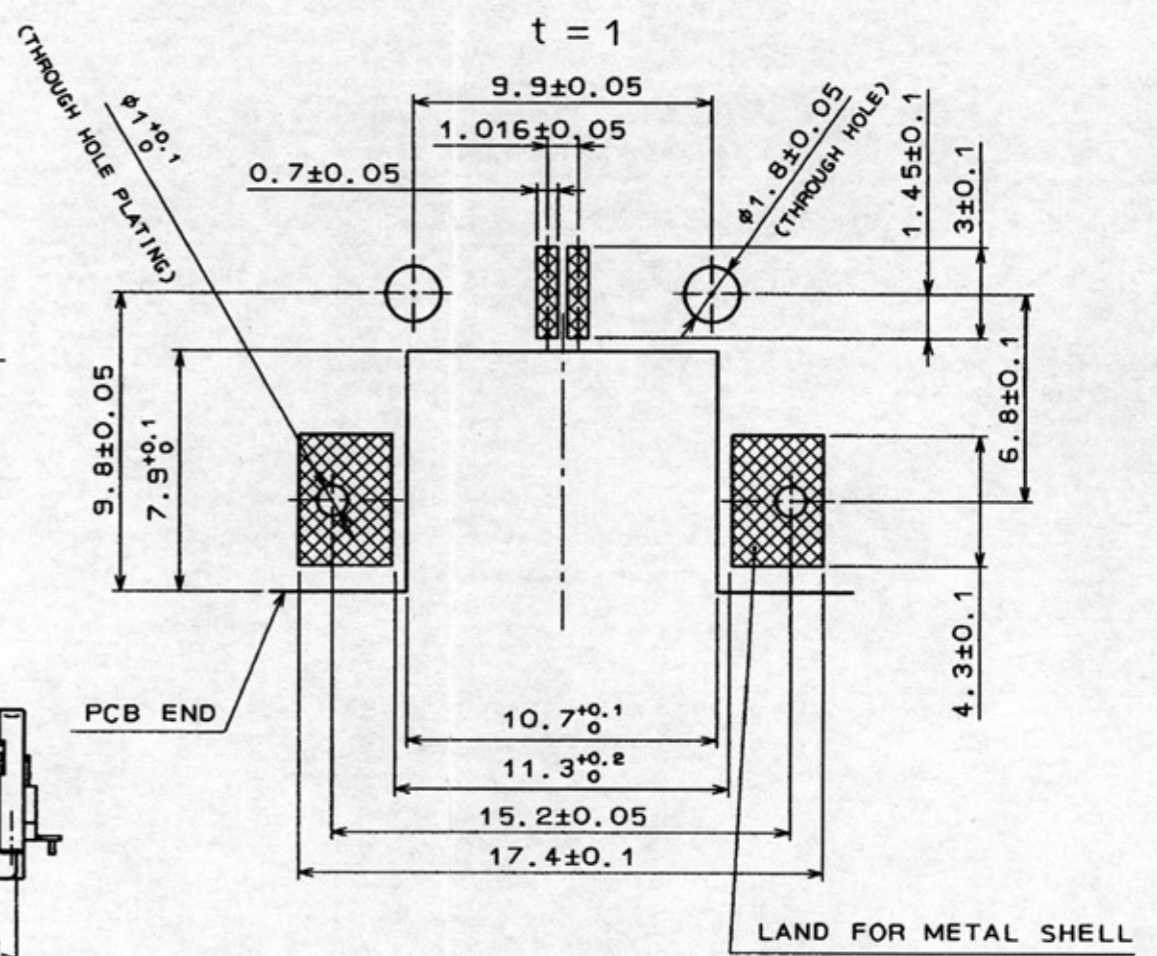


COUNT	DESCRIPTION OF REVISIONS	BY	CHKD	DATE	COUNT	DESCRIPTION OF REVISIONS	BY	CHKD	DATE

this one



RECOMMENDED PCB PATTERN, MOUNTING SIDE (4:1)



DRAWING FOR REFERENCE
This is subject to change without notice

NOTE 1 THE CO-PLANARITY OF LEADS AND METAL SHELLS SHALL BE $0^{+0.05}_{-0.1}$.

2	PHOSPHOR BRONZE	CONTACT AREA: GOLD PLATING 1.27mm SOLDERING AREA: TIN-LEAD PLATING 3mm	3	COPPER ALLOY	TIN-LEAD PLATING
1	P P S	BLACK UL94V-0			
NO.	MATERIAL	FINISH, REMARKS	NO.	MATERIAL	FINISH, REMARKS
CODE NO. (OLD)			DRAWN	DESIGNED	CHECKED
			J. Kameya	J. Kameya	T. Watanabe
			97.5.12	97.5.12	97.5.12
			APPROVED	RELEASED	
DRAWING NO. EDC3-120713		PART NO. TM18R-62			
SCALE 2:1		CODE NO. CL222-2789-0			
UNITS mm		1/1			