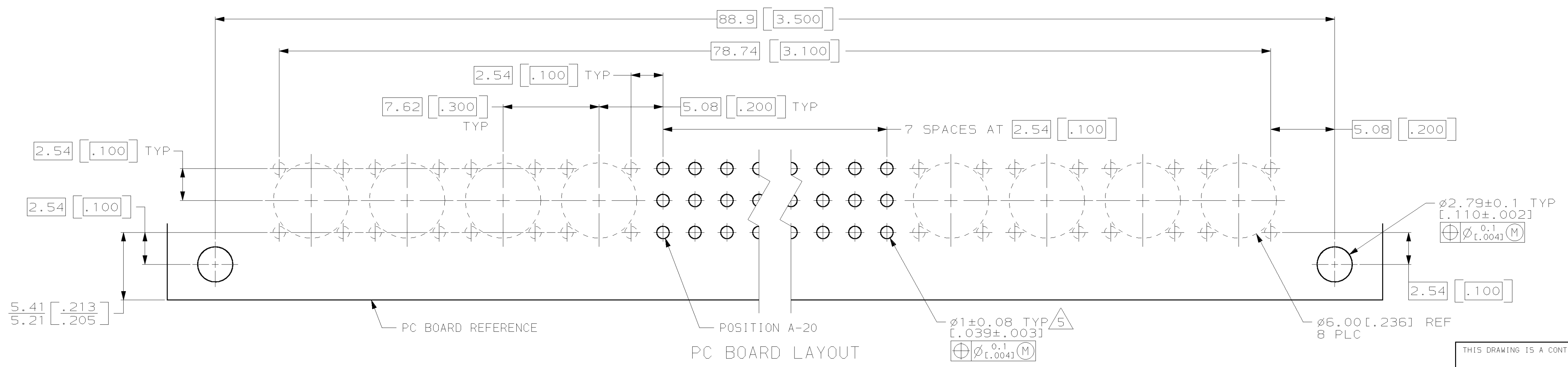
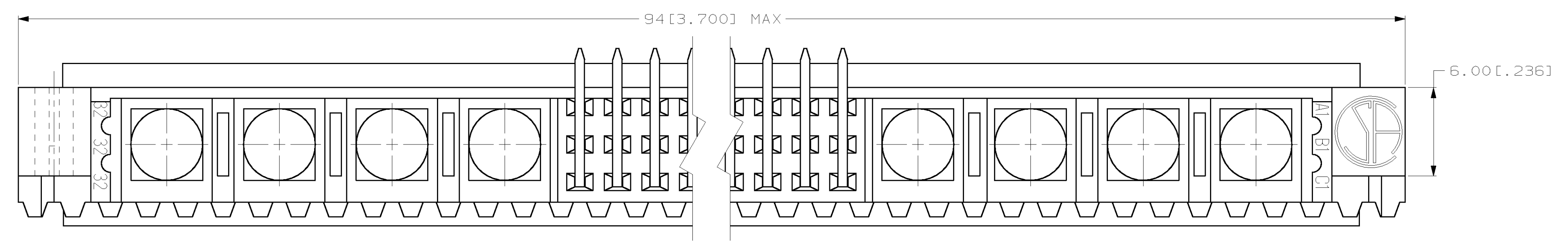
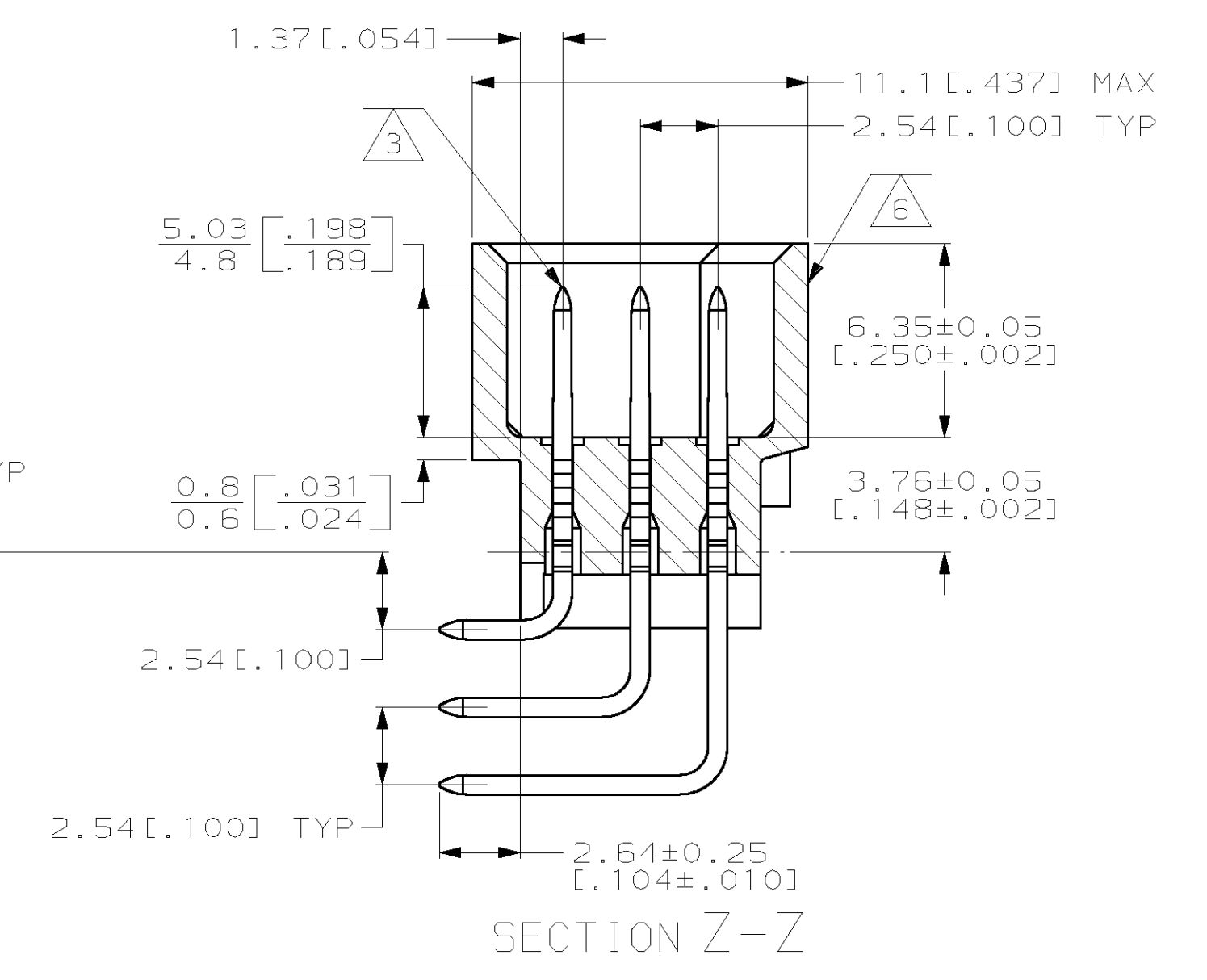
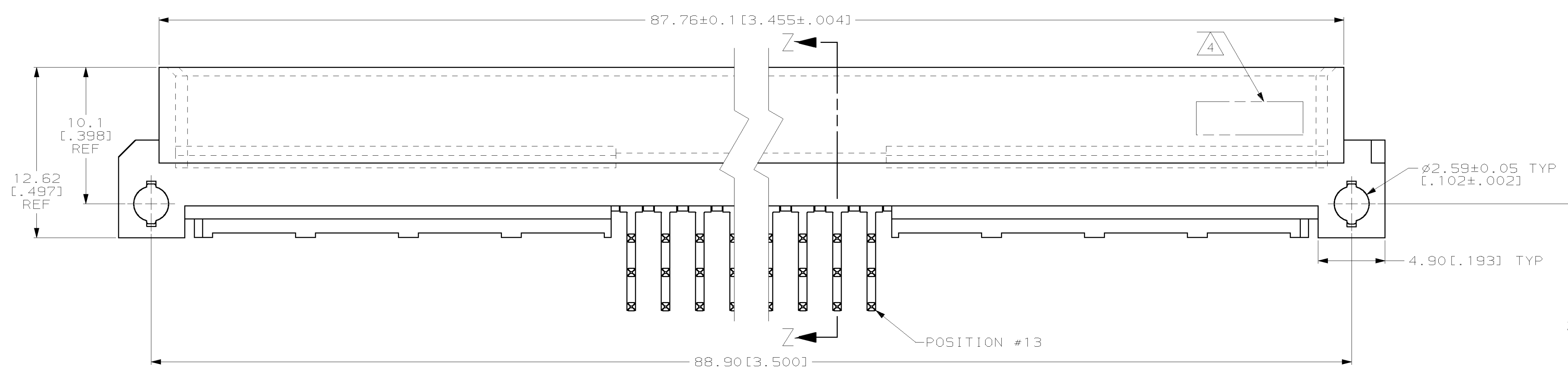
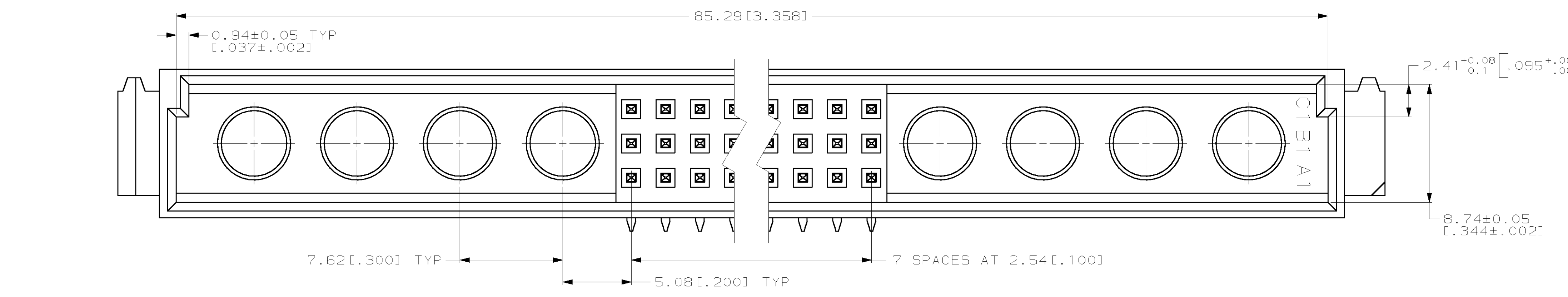


REVISIONS		DATE	OWN	APPROV
AD	25			
0	DRAWN	-	-	-
A	REV PER EC	06 APR 99	BC	CR

- 1 HOUSING MATERIAL: GLASS-FILLED POLYESTER. COLOR: GRAY.
- 2 POST MATERIAL: BRASS.
- 3 POST FINISH: DIN 41612 CLASS 2 IN CONTACT AREA. TIN-LEAD PLATE ON POSTS.
- 4 PART NUMBER AND DATE CODE HOT STAMPED IN THIS APPROXIMATE AREA.
- 5 RECOMMENDED HOLE SIZE FOR MANUAL APPLICATION OF CONNECTOR ONTO PC BOARD.
- 6 HOT STAMPING ON THIS SIDE.



148414-5
PART NUMBER

THIS DRAWING IS A CONTROLLED DOCUMENT.		DWN L. BRINER 12/19/97	AMP Incorporated Harrisburg, PA 17105-3608
DIMENSIONS:		CHK R. PATTERSON 12/19/97	NAME PIN ASSEMBLY, EUROCARD, TYPE M, 24 + 8 POSITION
TOLERANCES UNLESS OTHERWISE SPECIFIED:		APPROV R. PATTERSON 12/19/97	SIZE A1 00779 C-148414
mm		PRODUCT SPEC	RESTRICTED TO
0 PLC ±		APPLICATION SPEC	SCALE 5:1 SHEET 1 OF 1 REV A
1 PLC ±0.13(0.005)		WEIGHT	
2 PLC ±		CUSTOMER DRAWING	
3 PLC ±			
4 PLC ±			
ANGLES			
FINISH			
HOUSING: 1			
POST: 2			