

Panel mounting frames - VC-AR1/2M - 1852972

Please be informed that the data shown in this PDF Document is generated from our Online Catalog. Please find the complete data in the user's documentation. Our General Terms of Use for Downloads are valid (<http://phoenixcontact.com/download>)



Panel mounting frame, without PE, for contact insert modules, type 1, number of insert modules 2


Panel mounting frame, size VC-1

Why buy this product

- Compact design
- Proven COMBICON technology
- Universal connection
- Can be keyed to prevent incorrect connection



Key Commercial Data

| | |
|------------------------|---|
| Packing unit | 5 STK |
| Minimum order quantity | 5 STK |
| GTIN |  4 017918 133733 |
| GTIN | 4017918133733 |

Technical data

General

| | |
|------|--------------------------------------|
| Note | 2 x 1852862 VC-AF for each connector |
| Size | VC1 |

Ambient conditions

| | |
|---------------------------------|-------------------|
| Ambient temperature (operation) | -40 °C ... 125 °C |
|---------------------------------|-------------------|

Standards and Regulations

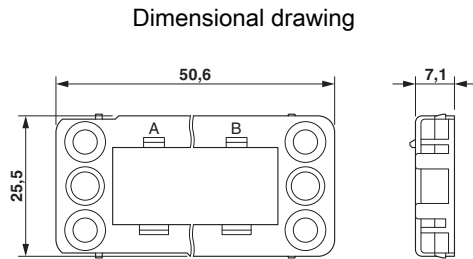
| | |
|--|----|
| Flammability rating according to UL 94 | V0 |
|--|----|

Environmental Product Compliance

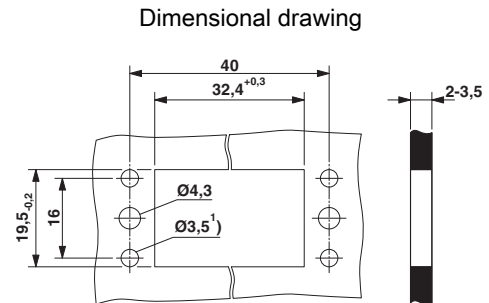
| | |
|------------|---|
| China RoHS | Environmentally friendly use period: unlimited = EFUP-e |
| | No hazardous substances above threshold values |

Panel mounting frames - VC-AR1/2M - 1852972

Drawings



Panel mounting frame dimensional drawing



Housing cutout

Approvals

Approvals

Approvals

EAC

Ex Approvals

Approval details

| | | |
|-----|--|---------|
| EAC | | B.01742 |
|-----|--|---------|

Phoenix Contact 2018 © - all rights reserved
<http://www.phoenixcontact.com>

PHOENIX CONTACT GmbH & Co. KG
Flachsmarktstr. 8
32825 Blomberg
Germany
Tel. +49 5235 300
Fax +49 5235 3 41200
<http://www.phoenixcontact.com>