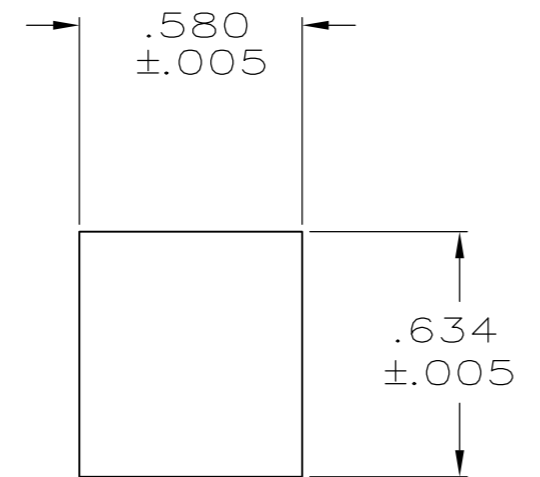
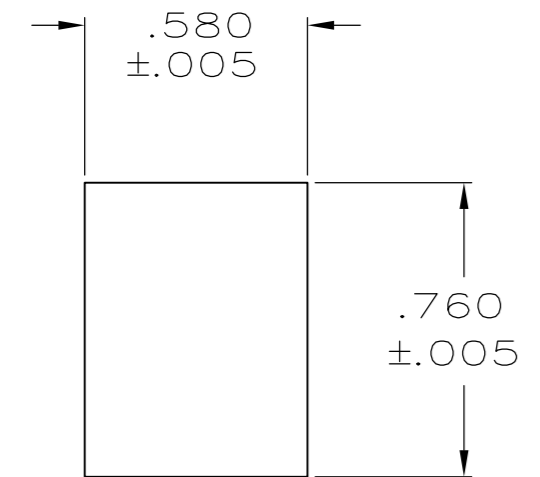
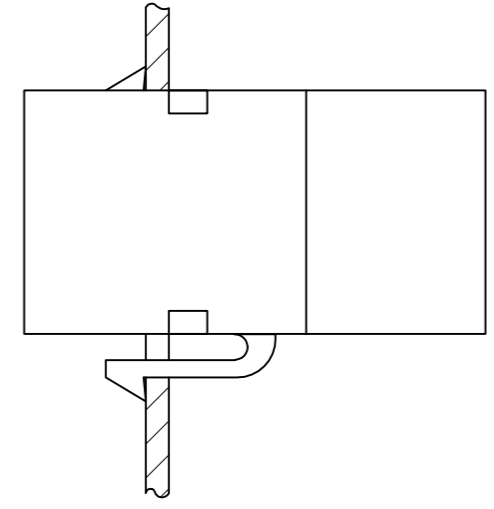
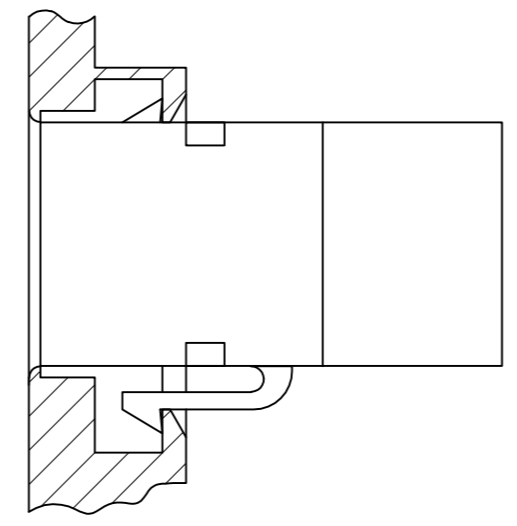
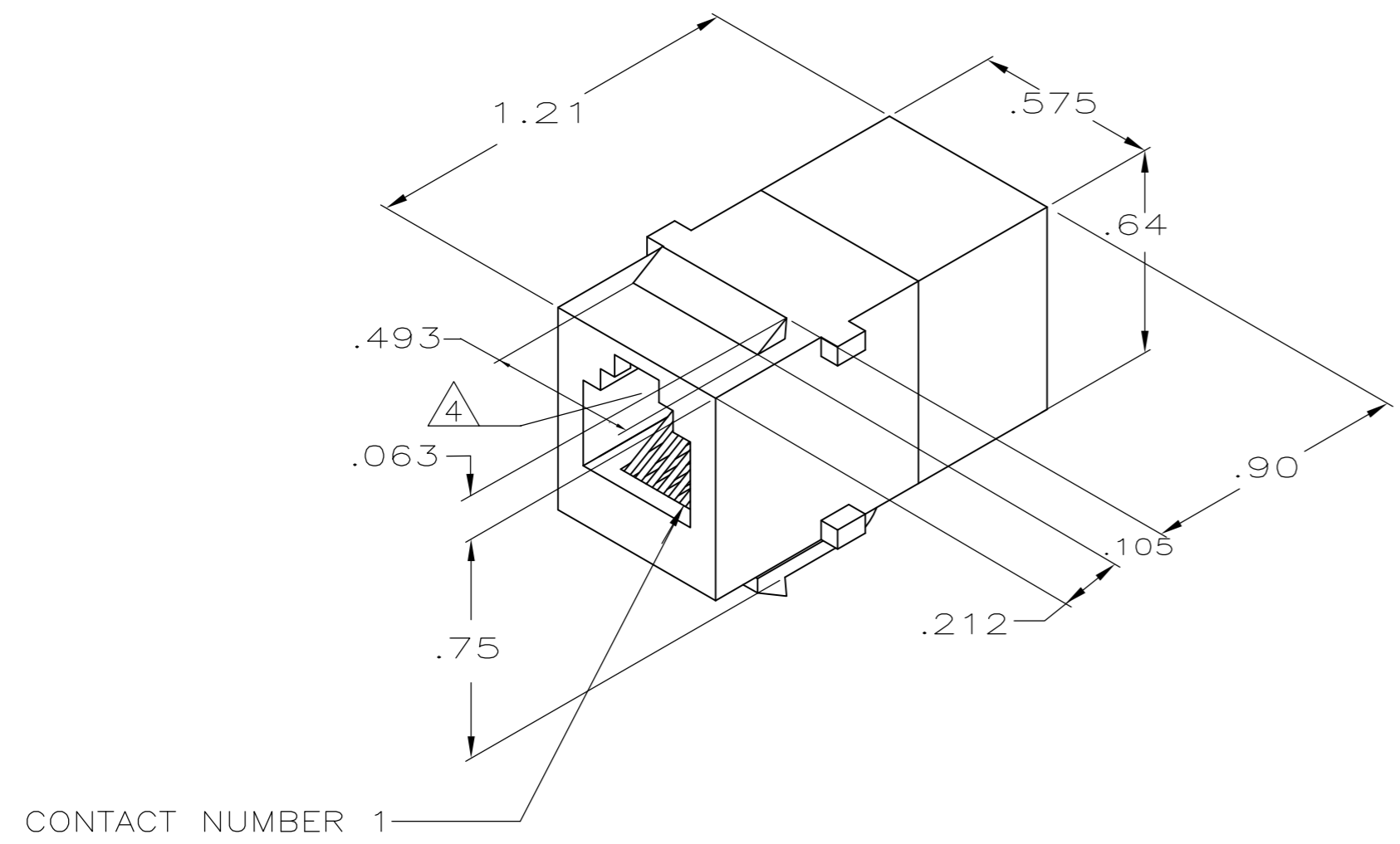


THIS DRAWING IS UNPUBLISHED. RELEASED FOR PUBLICATION  
 © COPYRIGHT - By - ALL RIGHTS RESERVED.

LOC		DIST		REVISIONS			
P	LTR	DESCRIPTION		DATE	DWN	APVD	
HM	00	E1	REVISED PER ECO-11-005033		21MAR11	RK	HMR

- ALL DIMENSIONS SHOWN ARE MAXIMUM UNLESS OTHERWISE SPECIFIED.
- △ MATERIAL:

HOUSING - POLYPHENYLENE OXIDE, BLACK.  
 TERMINAL - .018 DIA PHOSPHOR BRONZE PLATED WITH .000050 MINIMUM THICK GOLD OVER .000050 MINIMUM THICK NICKEL.
- MOUNTING PANEL THICKNESS .062 NOMINAL.
- △ CAVITIES SHALL CONFORM TO FCC RULES AND REGULATIONS, PART 68, SUBPART F.



RECOMMENDED PANEL CUTOUT FOR SINGLE WALL PLATE AND BACK PANEL FOR DOUBLE WALL PLATE

RECOMMENDED FRONT PANEL CUTOUT FOR DOUBLE WALL PLATE

555050-1  
PART NUMBER

THIS DRAWING IS A CONTROLLED DOCUMENT.		DWN	C. YATES	3-17-87		TE Connectivity		
DIMENSIONS: INCHES		CHK	B. FOX	3-27-87		NAME		
TOLERANCES UNLESS OTHERWISE SPECIFIED:		APVD	G. FOSTER	4-1-87		COUPLER ASSEMBLY, 6 POSITION, IN-LINE		
0 PLC ± - 1 PLC ± - 2 PLC ± - 3 PLC ± - 4 PLC ± - ANGLES ± - FINISH		PRODUCT SPEC		SIZE		CAGE CODE	DRAWING NO	RESTRICTED TO
MATERIAL		WEIGHT		A2 00779		C=555050		
△ - △ -		CUSTOMER DRAWING		SCALE	2:1	SHEET	1 of 1	
						REV	E1	