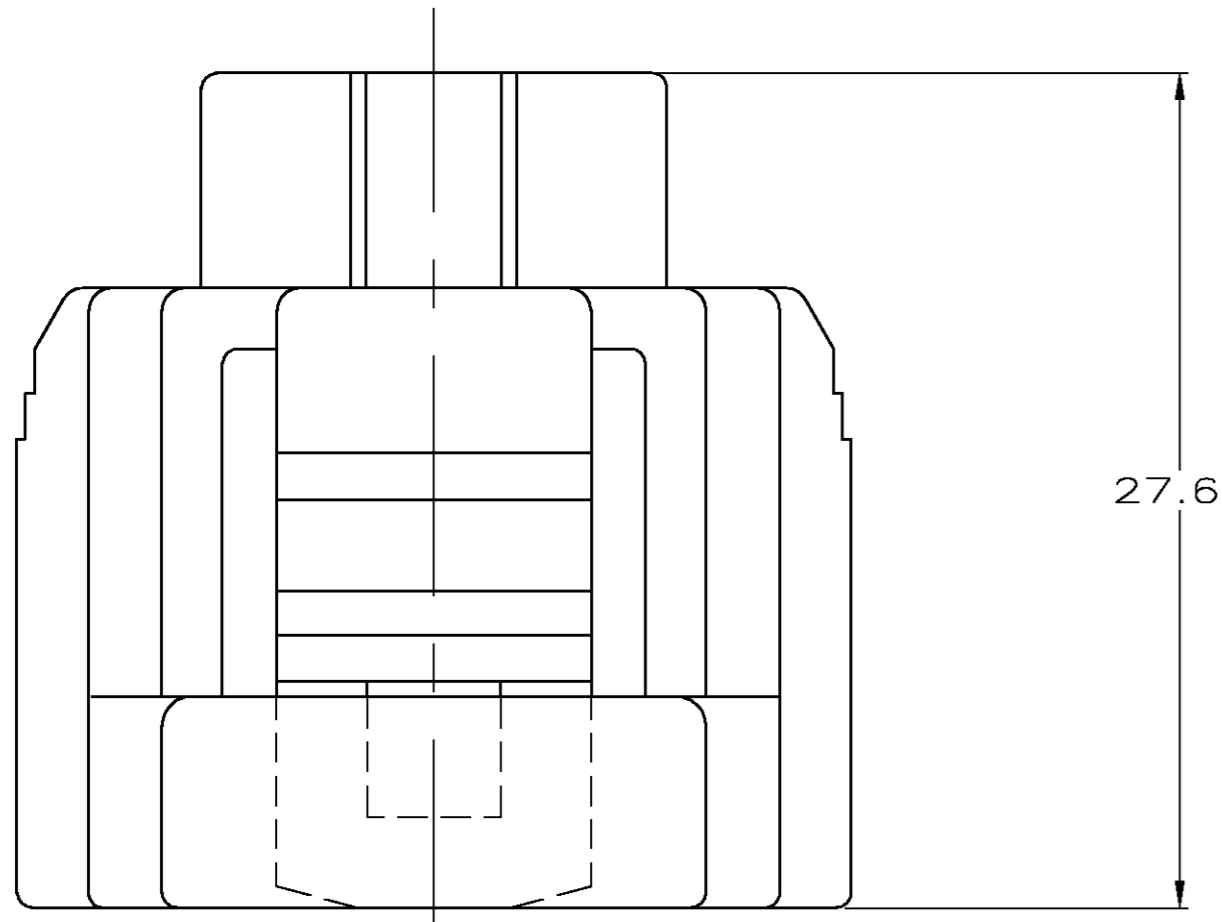
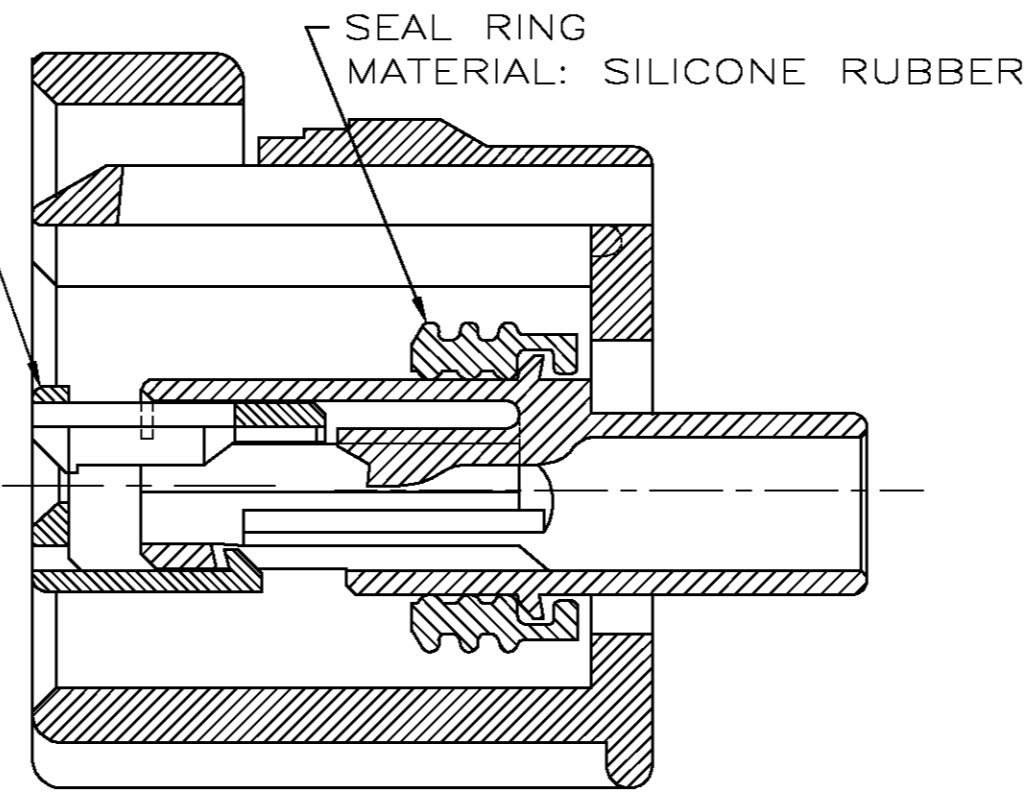


THIS DRAWING IS UNPUBLISHED. RELEASED FOR PUBLICATION
 © COPYRIGHT BY TYCO ELECTRONICS CORPORATION. ALL RIGHTS RESERVED.

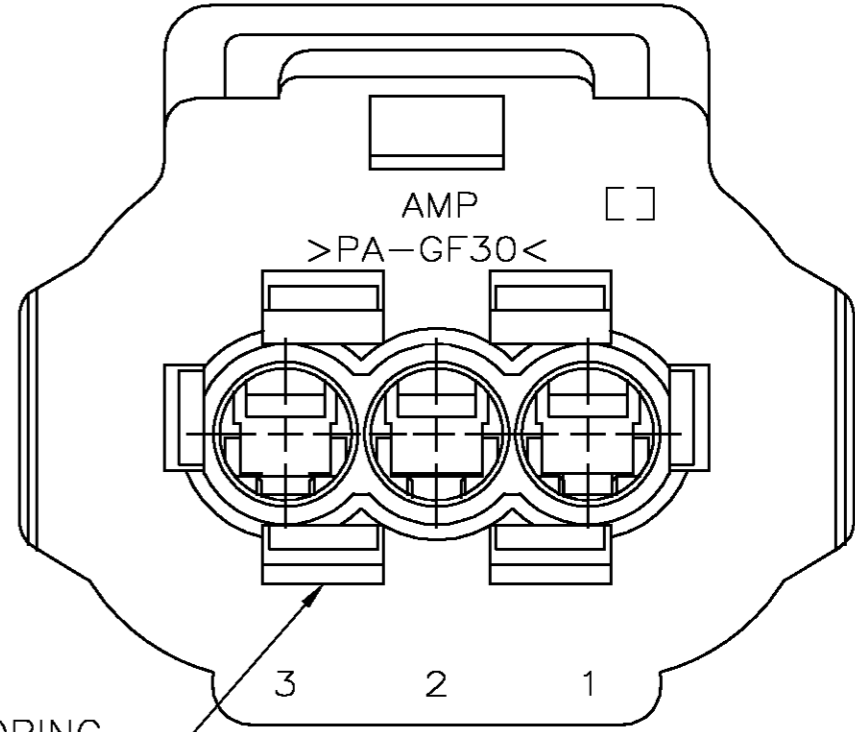
| LOC | | DIST | | REVISIONS | | | |
|-----|-----|-----------------------------|-----------|-----------|------|--|--|
| P | LTR | DESCRIPTION | DATE | DWN | APVD | | |
| C | | REVISED PER EC 0K40-0387-04 | 19NOV2004 | DLD | KLK | | |



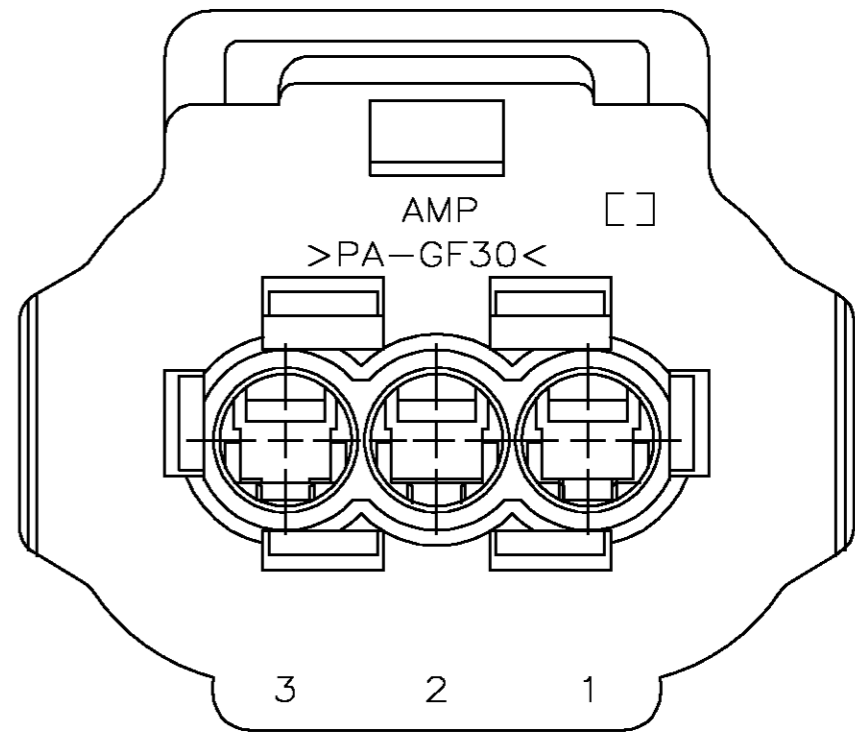
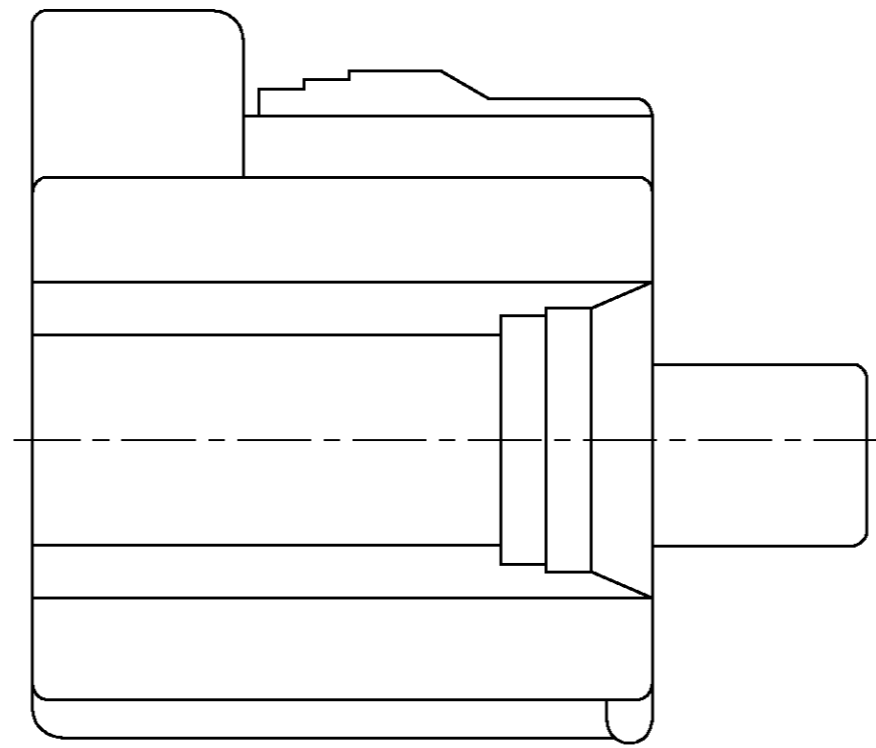
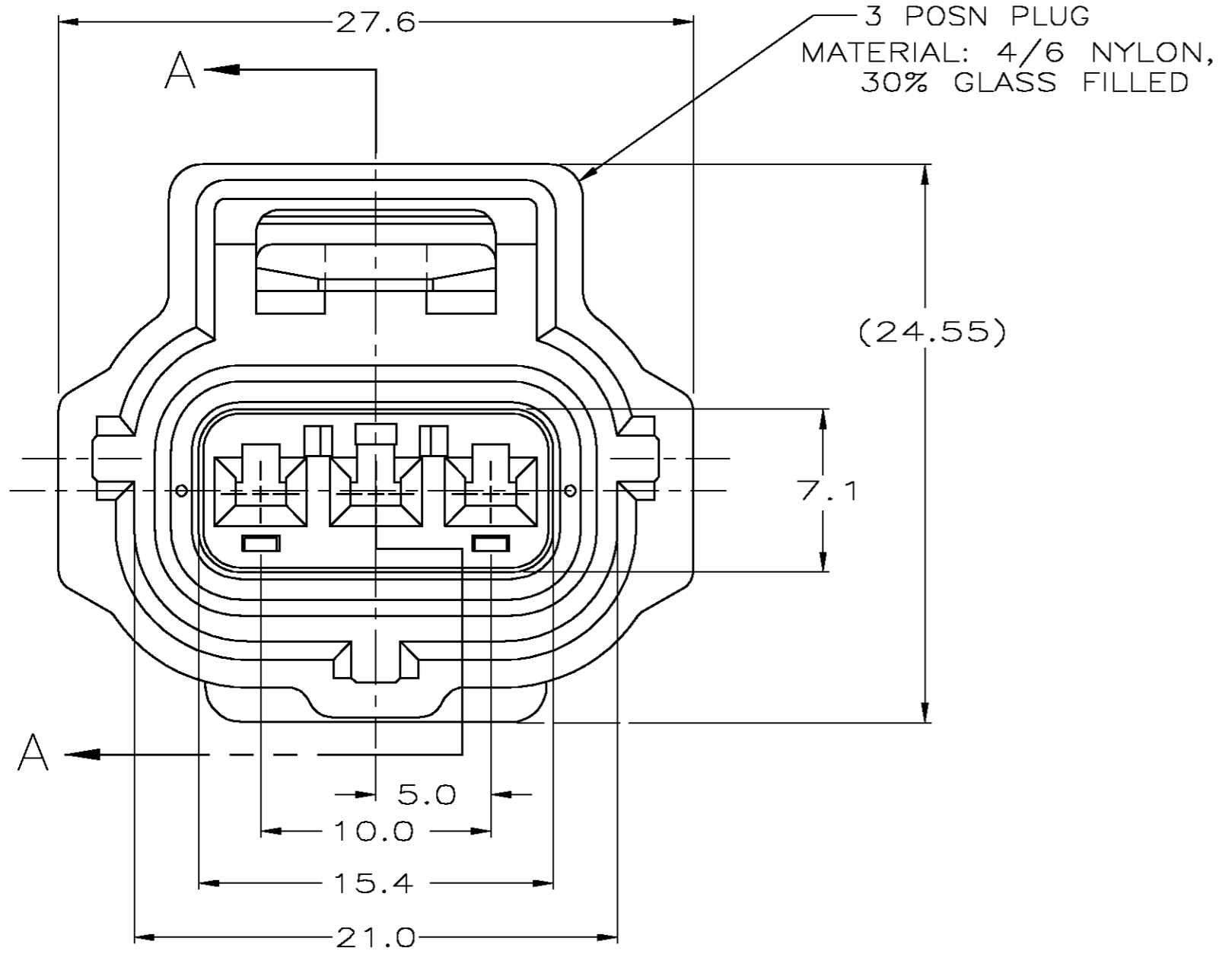
3 POSN. DOUBLE LOCK PLATE
 MATERIAL: PBT, 15% GLASS FILLED



SECTION A-A



OPTIONAL CORING
 2 PLACES



| | |
|-------|----------|
| GRAY | 184435-1 |
| COLOR | PART NO |

| | | | | | |
|--|--|------------------|--------------|---------|---|
| THIS DRAWING IS A CONTROLLED DOCUMENT. | | DWN | R. COLE | 15JAN02 | Tyco Electronics Corporation Harrisburg, PA 17105-3608 |
| DIMENSIONS: MM | | CHK | K. COBLE | 15JAN02 | |
| TOLERANCES UNLESS OTHERWISE SPECIFIED: | | APVD | K. COBLE | 15JAN02 | |
| 0 PLC ± - 1 PLC ± 0.3 2 PLC ± - 3 PLC ± - 4 PLC ± - ANGLES ± 1° FINISH - | | PRODUCT SPEC | NAME | | |
| MATERIAL AS NOTED | | APPLICATION SPEC | - | | 1 X 3 PLUG ASSEMBLY KEY A-C4 |
| | | WEIGHT | - | | SIZE |
| | | CUSTOMER DRAWING | A2 00779 | | CAGE CODE |
| | | | C=184435 | | DRAWING NO |
| | | | SCALE 4:1 | | RESTRICTED TO |
| | | | SHEET 1 OF 1 | | REV C |