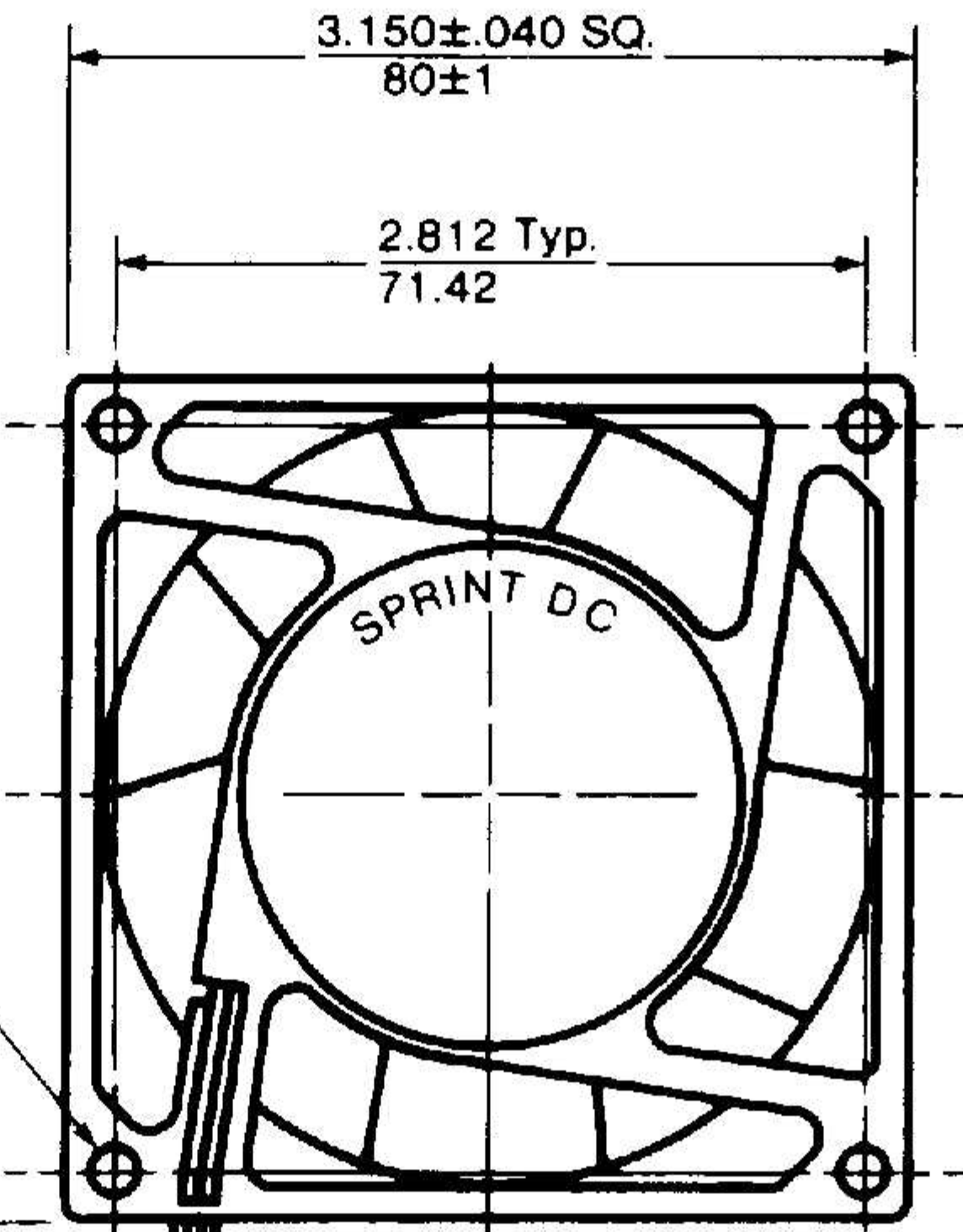
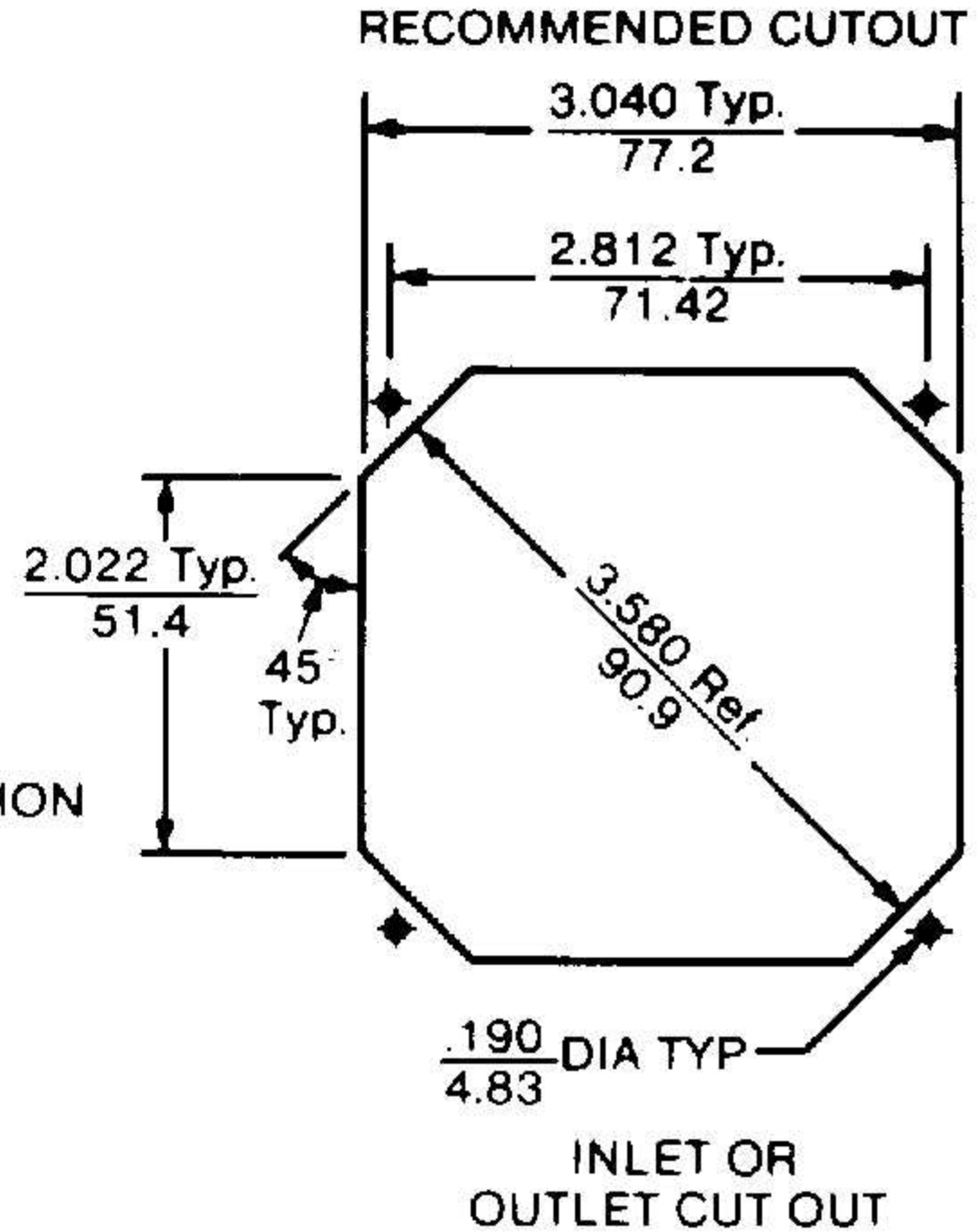


AIRFLOW →



.177 DIA
4.5
(8 HOLES)
NOTE 1

ROTATION ↓



DIMENSIONS: $\frac{\text{in}}{\text{mm}} \pm$
 TOLERANCES: .xx = $\frac{.03}{0.8}$
 .xxx = $\frac{.010}{.25}$
 ANGULAR $\pm 2^\circ$
 (UNLESS NOTED)

Specifications subject to change without notice.

TACHOMETER OUTPUT WAVE FORM

*AMPLITUDES UP TO NOMINAL OPERATING VOLTAGE OR OPEN COLLECTOR AVAILABLE CONSULT APPLICATION ENGINEERING

CAUTION:

- 1) ON ALL TACHOMETER MODELS, THE THIRD WIRE MUST NOT BE APPLIED TO EITHER + or - POWER LEADS
- 2) THIRD WIRE SENSOR'S GROUND REFERENCE MUST BE THE SAME AS THE FANS.

NOTES:
 1) DIA AT LARGE END OF DRAFT.

LEADWIRES NOTES:

1. ALL LEAD WIRES 22 AWG. U.L. STYLE 1061
2. POWER LEADS (-) BLACK (+) RED
3. NON-ISOLATED TACHOMETER OUTPUT (WHEN SPECIFIED), ADDS ONE ADDITIONAL BLUE WITH WHITE TRACER LEAD (SAME LENGTH AS POWER LEADS).

+1.00
 12.00-0.00
 304.8+25.4

.50±.09
 12.7±2.3