

Orthogonal COMBICON headers for THR processes MSTBO 2,5/4-G1... THR R44 BK

The orthogonal COMBICON MSTBO 2,5/... headers with a 5.0 pitch are now available for use in the Through Hole Reflow process.

Components can be mounted automatically on the PCB without any problems.

The headers are made of highly temperature-resistant polyamide and are suitable for use in lead-free solder processes.

There is a 4-pos. version available and versions with two and three positions will follow shortly.

The integrated suction area allows cost and time-effective processing, since it is no longer necessary to remove a suction pad after processing.

The headers are supplied in tapes, so that common feeder systems can be used. They can also be supplied in bulk.



COMBICON Select

The COMBICON search engine with CAD downloading

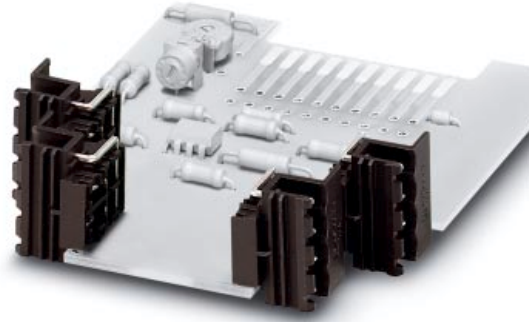


COMBICON Select – the printed circuit board connection software supports your workflow from the PCB and housing layout to the ordering process with:

- Systematic and fast selection of products
- Universal Internet aided engineering with extensive CAD downloading
- Easy-to-use e-shopping functions.

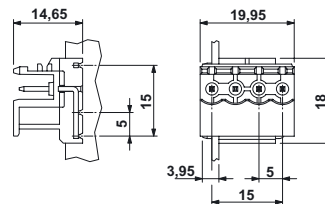
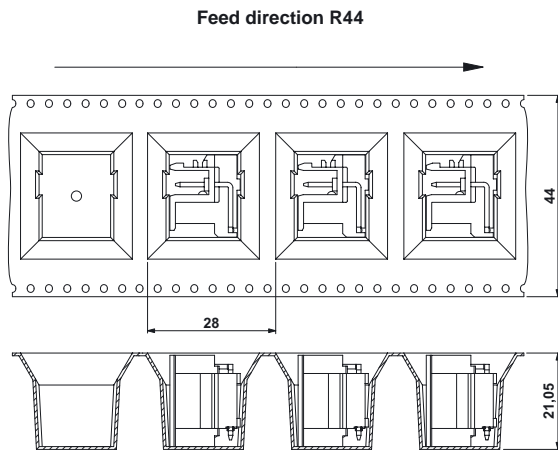
select.phoenixcontact.com/combicon

Orthogonal COMBICON headers MSTBO 2,5/4-G1...THR R44 BK 5.0 mm Pitch

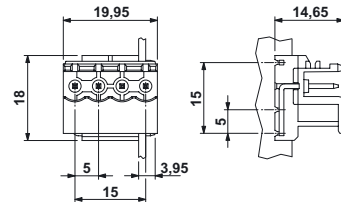


Description	No. of pos.	Dim. a [mm]
COMBICON header , for soldering onto the PCB, color: black, „PCB on the left“	4	15
COMBICON header , for soldering onto the PCB, color: black, „PCB on the right“	4	15
Technical data		
Dimensions		
Pitch		[mm]
Hole diameter		[mm]
Pin dimensions		[mm]x[mm]
Technical data in accordance with IEC/ DIN VDE		
Insulating material group		—
Surge voltage category / contamination class		—/—
Rated voltage		[V]
Rated surge voltage		[kV]
Nominal current / cross section		[A]/[mm ²]
Maximum load current / cross section		[A]/[mm ²]
Insulating material		
Inflammability class in acc. with UL 94		
Approval data (UL/CUL and CSA)		
Nominal voltage / current / conductor sizes	UL/CUL:	[V]/[A]/AWG

Type	Order No.	Pcs./Pkt.
MSTBO 2,5/4-G1L THR R44 BK	26 97 19 4	100
MSTBO 2,5/4-G1L THR R44 BK	26 97 20 4	100
see description		
	5.0	
	1.5	
	1 x 1	
	I	
III / 3	III / 2	II / 2
250	320	400
4	4	4
	16 / —	
	16 / —	
	PA	
	V0	
	300 / 10 / ---	



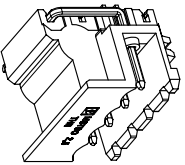
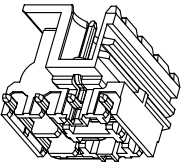
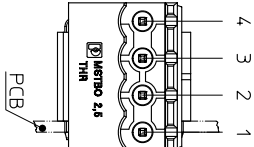
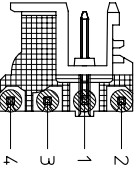
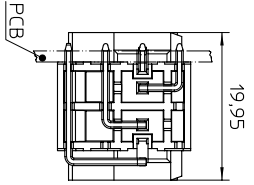
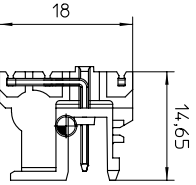
MSTBO 2,5/4-G1L THR R44 BK



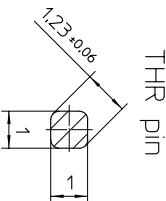
MSTBO 2,5/4-G1R THR R44 BK

MSTBO 2,5/ 4-G1R THR

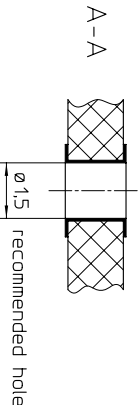
2:1



10:1

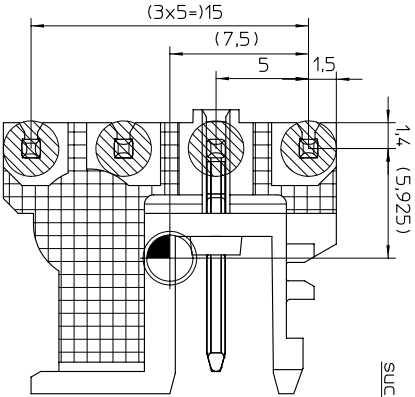


PCB Detail



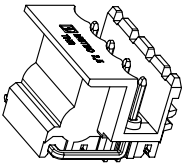
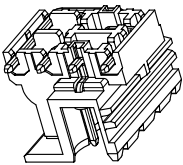
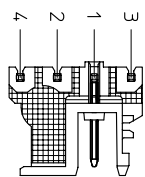
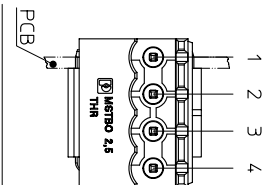
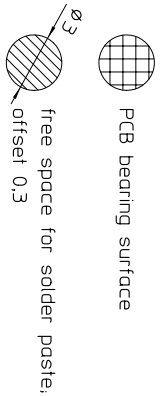
MSTBO 2,5/ 4-G1L THR

5:1

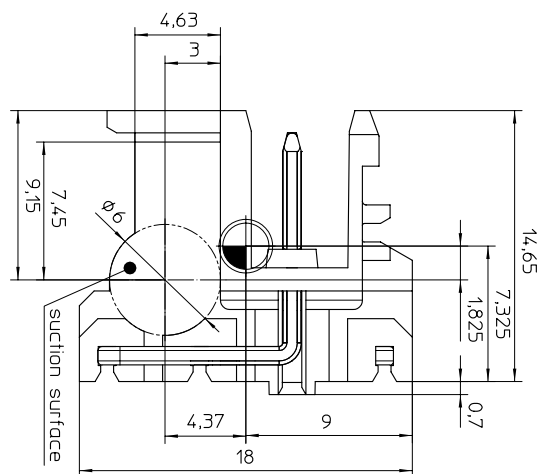
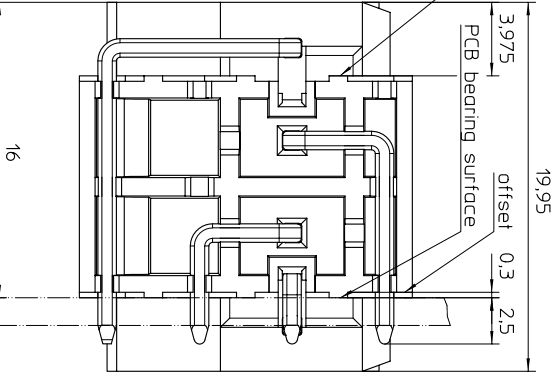


suction surface

PCB bearing surface

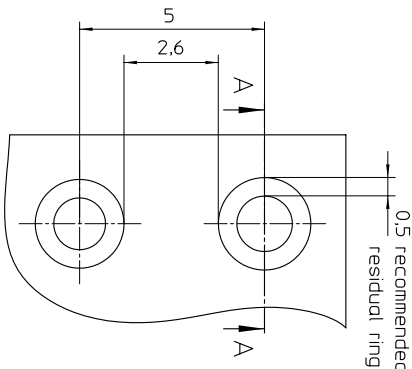


2:1



zero part

schematic description



0.5 recommended residual ring

A-A

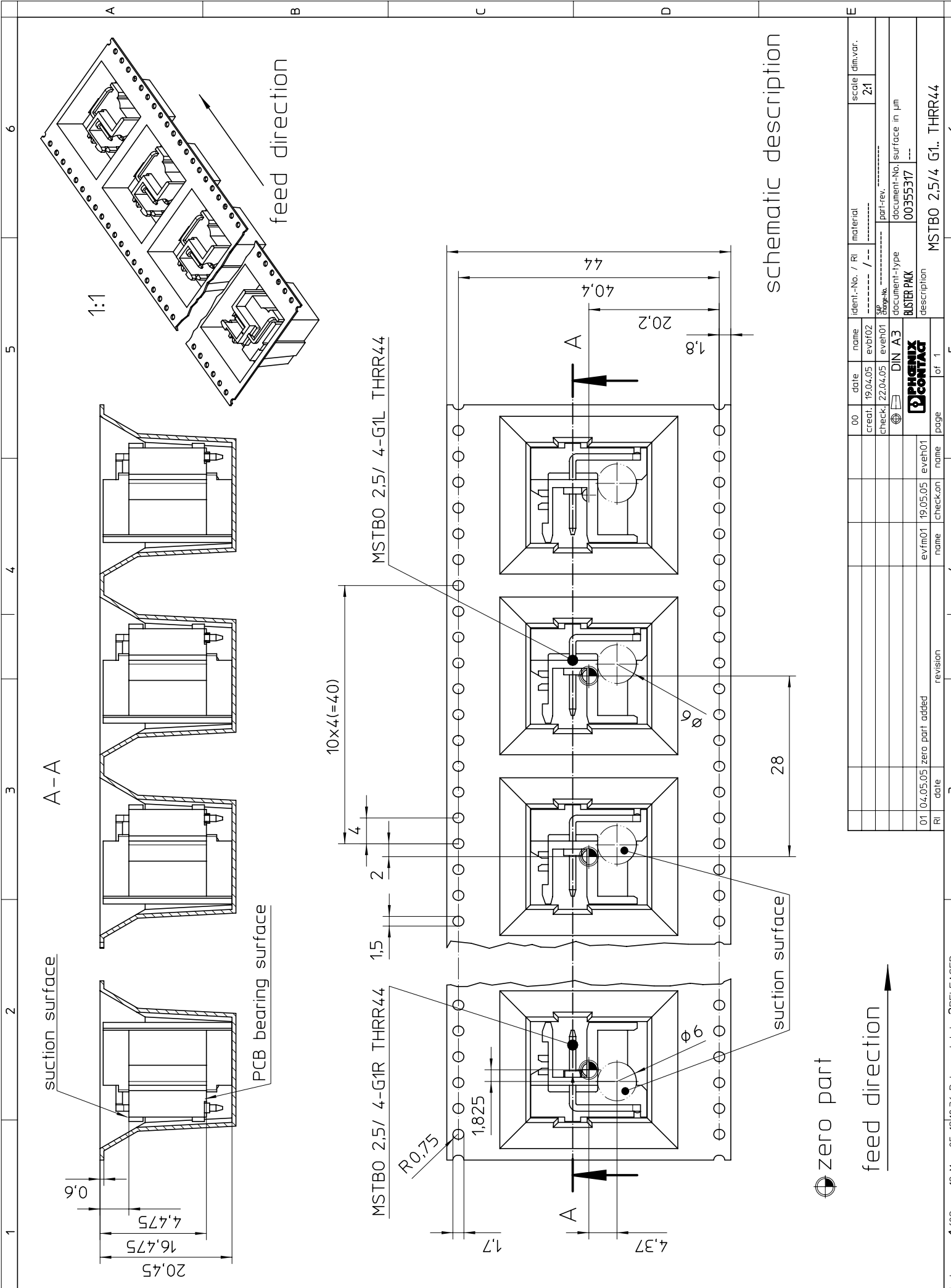
recommended hole

Weitergabe sowie Vervielfältigung dieses Dokuments, Verwertung und Mitteilung seines Inhaltes gemäß §18 UWG verboten, soweit nicht ausdrücklich gestattet. Zuwiderhandlungen verpflichten zu Schadenersatz (§19 UWG). Alle Rechte vorbehalten, insbesondere das Recht, Patent-, Gebrauchsmuster- oder Geschmacksmusteranmeldungen durchzuführen. Phoenix Contact GmbH & Co. KG

The copying, distribution and utilization of this document as well as the communication of the contents to others without expressed authorization is prohibited according to §18 UWG German Law. Offenders will be held liable for the payment of damages according to §19 UWG German Law. All rights reserved, in particular the right to carry out patent, utility model or ornamental design registrations. Fließmarktstraße 8 D-32825 Blomberg

RI	date	revision	name	checkcan	name	description	00	date	name	ident.-No. / RI	material	scale	dim.vor.
							00						
							creat.	18.05.05	evb02				Z1
							check	19.05.05	evb01				
							drawn						
							checked						
							document-type	DIN A2					
							document-no.	KAMECHMMS					
							document-no. surface in µm	00056624					
							description						
							page						
							of	1					
							part						
							document						
							part						
							name						
							checkcan						
							name						
							description						
							page						
							of	1					
							document						
							part						
							name						
							checkcan						
							name						
							description						
							page						
							of	1					
							document						
							part						
							name						
							checkcan						
							name						
							description						
							page						
							of	1					
							document						
							part						
							name						
							checkcan						
							name						
							description						
							page						
							of	1					

The copying, distribution and utilisation of this document as well as the communication of its contents to others without expressed authorization is prohibited according to §19 UWG German Law. Offenders will be held liable for the payment of damages according to §19 UWG German Law. All rights reserved. In particular the right to carry out patent, utility model or ornamental design registrations. Fachmarktstraße 8 D-32825 Blomberg



schematic description



zero part

feed direction

01	04.05.05	zero part added	evr/m01	19.05.05	evet/h01	name	check-con	name	page	of 1	5																																								
RI	date	revision	name	check-con	name	name	check-con	name	page	of 1	4																																								
<table border="1"> <tr> <td>00</td> <td>date</td> <td>name</td> <td>ident.-No. / RI</td> <td>material</td> <td>scale</td> <td>dim.var.</td> </tr> <tr> <td>creat.</td> <td>19.04.05</td> <td>evbr/02</td> <td>----- / --</td> <td>-----</td> <td>2:1</td> <td>-----</td> </tr> <tr> <td>check.</td> <td>22.04.05</td> <td>evet/h01</td> <td>SP change-No.</td> <td>part-rev.</td> <td>-----</td> <td>-----</td> </tr> <tr> <td colspan="7"> <table border="1"> <tr> <td>document-type</td> <td>document-No.</td> <td>surface in µm</td> </tr> <tr> <td>DIN A3</td> <td>BUSTER PACK</td> <td>00355317</td> </tr> <tr> <td colspan="3">description</td> </tr> <tr> <td colspan="3">MSTBO 2.5/4 G1. THRR44</td> </tr> </table> </td> </tr> </table>												00	date	name	ident.-No. / RI	material	scale	dim.var.	creat.	19.04.05	evbr/02	----- / --	-----	2:1	-----	check.	22.04.05	evet/h01	SP change-No.	part-rev.	-----	-----	<table border="1"> <tr> <td>document-type</td> <td>document-No.</td> <td>surface in µm</td> </tr> <tr> <td>DIN A3</td> <td>BUSTER PACK</td> <td>00355317</td> </tr> <tr> <td colspan="3">description</td> </tr> <tr> <td colspan="3">MSTBO 2.5/4 G1. THRR44</td> </tr> </table>							document-type	document-No.	surface in µm	DIN A3	BUSTER PACK	00355317	description			MSTBO 2.5/4 G1. THRR44		
00	date	name	ident.-No. / RI	material	scale	dim.var.																																													
creat.	19.04.05	evbr/02	----- / --	-----	2:1	-----																																													
check.	22.04.05	evet/h01	SP change-No.	part-rev.	-----	-----																																													
<table border="1"> <tr> <td>document-type</td> <td>document-No.</td> <td>surface in µm</td> </tr> <tr> <td>DIN A3</td> <td>BUSTER PACK</td> <td>00355317</td> </tr> <tr> <td colspan="3">description</td> </tr> <tr> <td colspan="3">MSTBO 2.5/4 G1. THRR44</td> </tr> </table>							document-type	document-No.	surface in µm	DIN A3	BUSTER PACK	00355317	description			MSTBO 2.5/4 G1. THRR44																																			
document-type	document-No.	surface in µm																																																	
DIN A3	BUSTER PACK	00355317																																																	
description																																																			
MSTBO 2.5/4 G1. THRR44																																																			