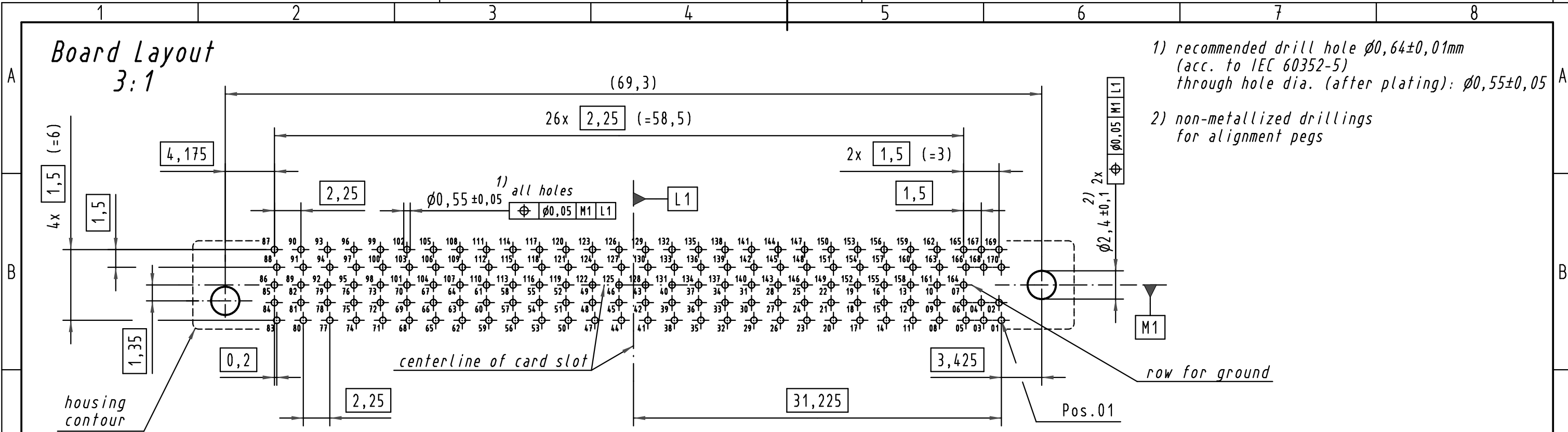
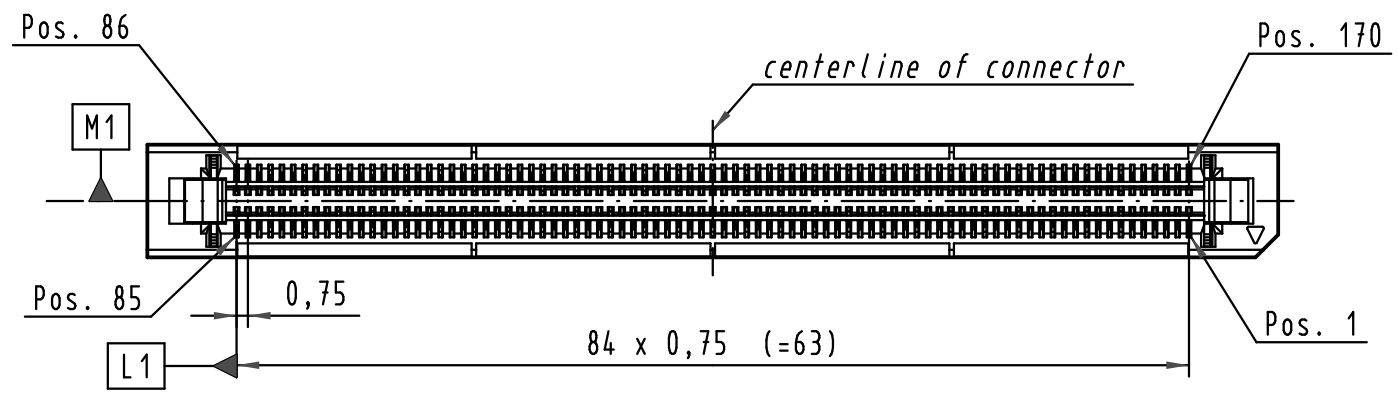
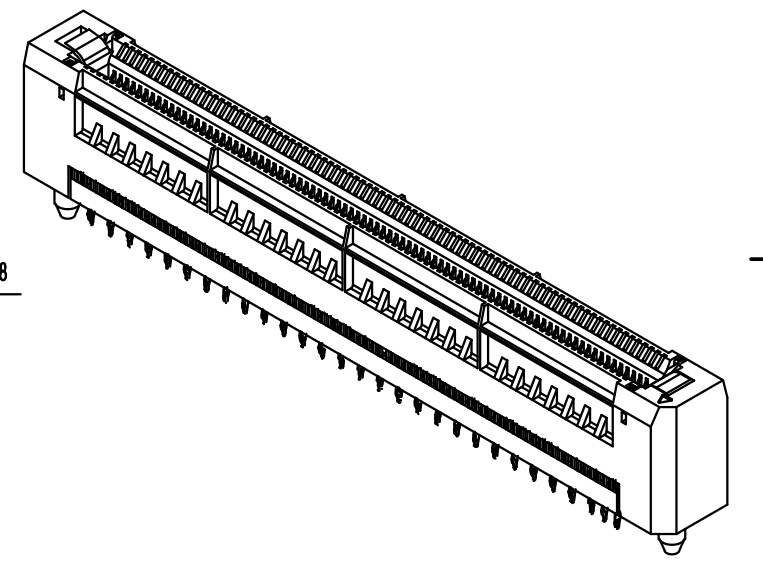
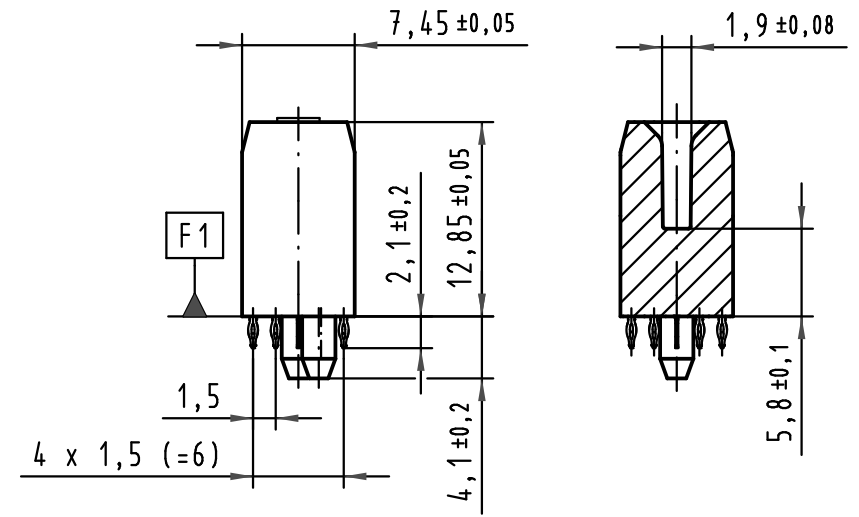
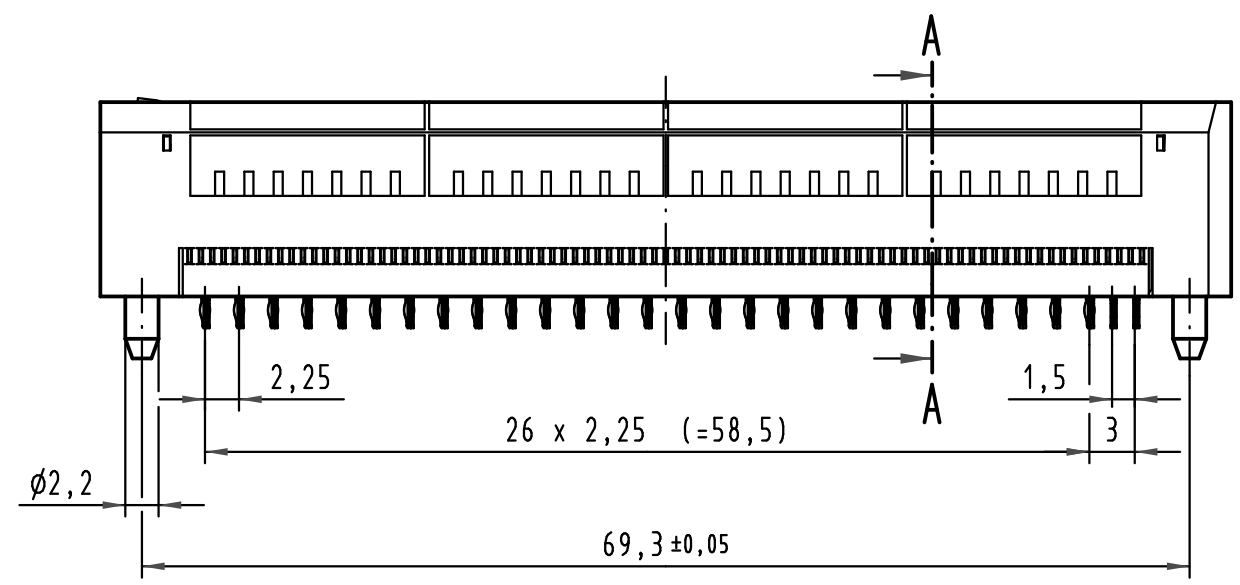
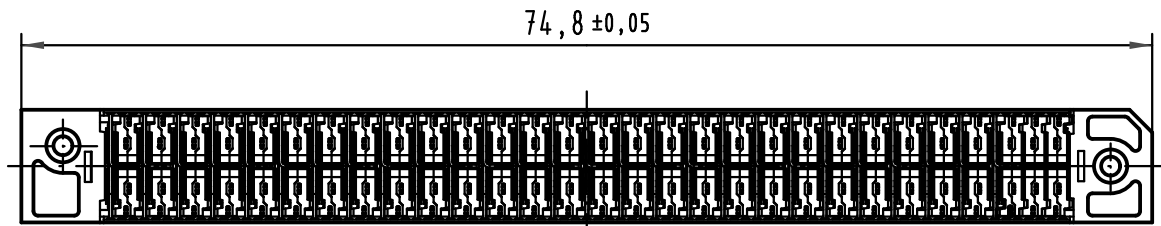


Board Layout 3:1



- 1) recommended drill hole $\phi 0,64 \pm 0,01$ mm (acc. to IEC 60352-5) through hole dia. (after plating): $\phi 0,55 \pm 0,05$
- 2) non-metallized drillings for alignment pegs

Alle Rechte vorbehalten/ All rights reserved



missing dimensions and information acc. to PICMG MicroTCA.0
(Micro Telecommunications Computing Architecture Base Specification)



All Dimensions in mm Original Size DIN A 3		Techn. Character.			Nicht tolerierte Maß/Free size tolerances	
			Dat.	Name	Maßstab/Scale 2:1 3:1	AdvancedMC connector for MicroTCA 170 pole, press-fit with protection shield and alignment pegs
			Detail.	25.09.09 hsv		
			Insp.	25.09.09 Lue.		
			Stand.			
35928		HARTING Electronics GmbH & Co. KG				TB 16 11 170 5207 000
Mod.	Dat.	Name	D-32339 ESPELKAMP			
						Sub.