

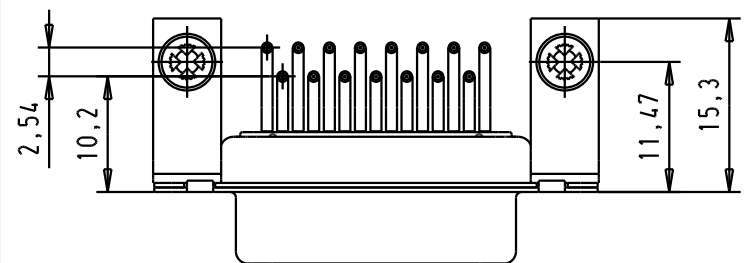
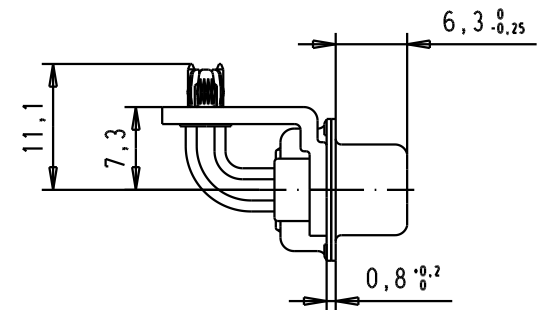
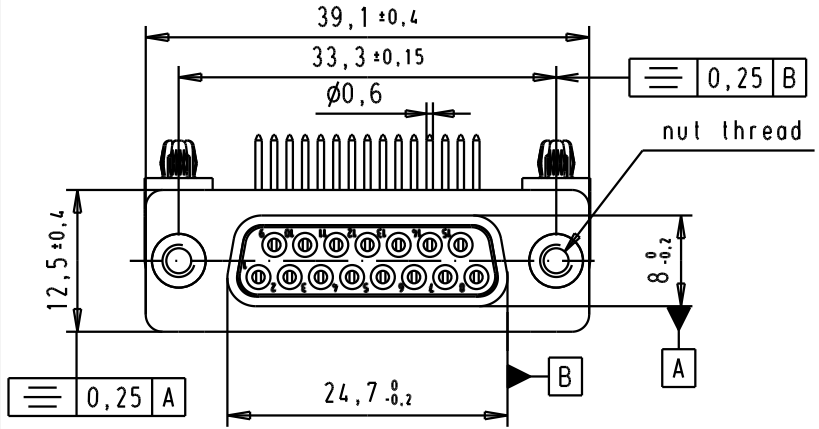
5 4 3 2 1

SPECIFICATION: C Filter

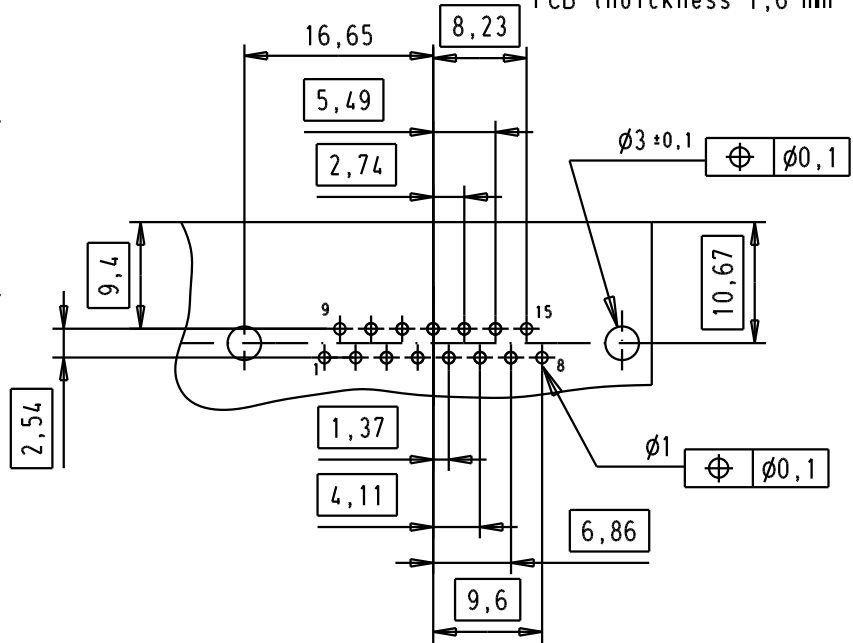
Mating Cycles	500
Capacitance	47pf±20%
Working Voltage	100v
Current Rating	7.5A
Insulation Resistance	>1GΩ

Minimum insertion loss

FREQUENCY (MHz)	ATTENUATION (dB)
5	-
10	-
50	-
100	-
500	30dB
1000	35dB



PCB Layout, component side
PCB thickness 1,6 mm



09 64 214 7213	M3
09 64 214 7212	UNC 4-40
Part number	nut thread

Detail.	8-JUL-02				CV	
Insp.						
Stand.						
Mod.						
31897	17/05/04	AF	HARTING EURL			
31058	8-JUL-02	CV	F-95972 Paris			

D-Sub, female, angled,
15 Poles, with turned
solder pin, nut and
board lock

TB 0964214721x

Mo?MsLab/
Scale
1.5:1
Blatt/ Page
1 / 4