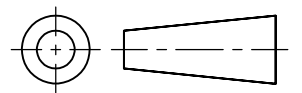


DO NOT SCALE  
DIMENSIONS IN mm

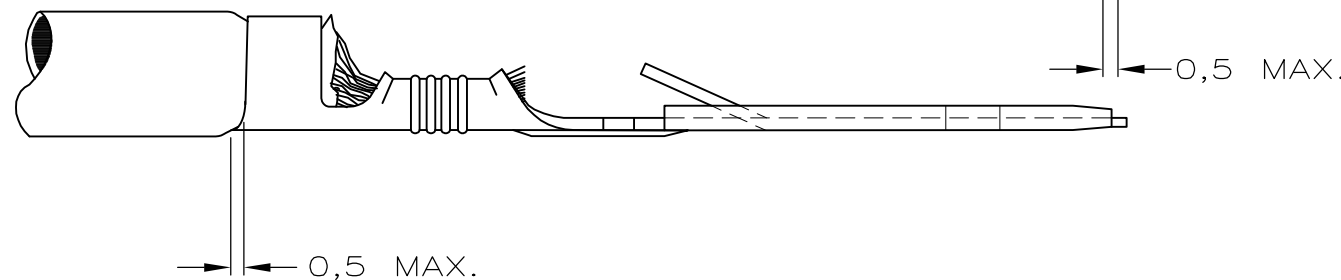
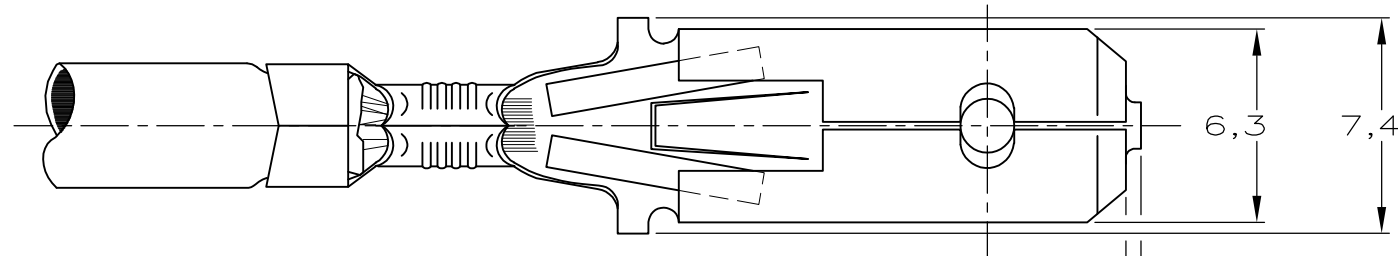
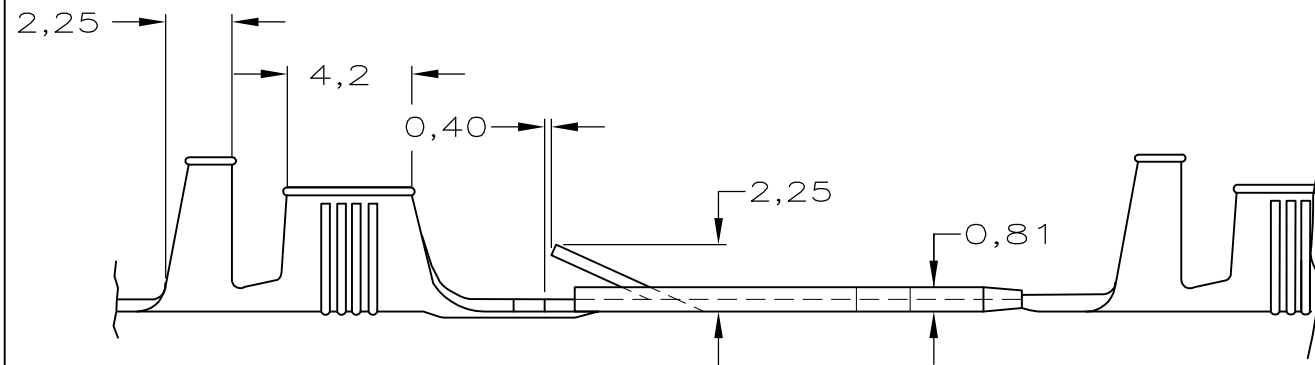
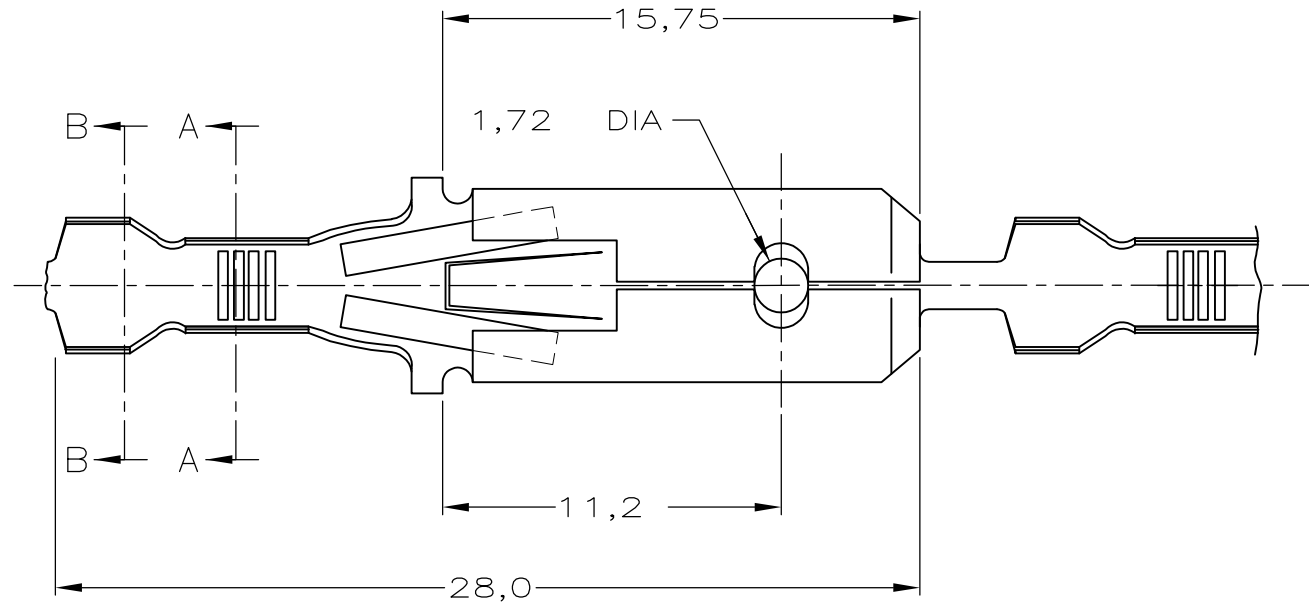
METRIC

THIRD ANGLE  
PROJECTION

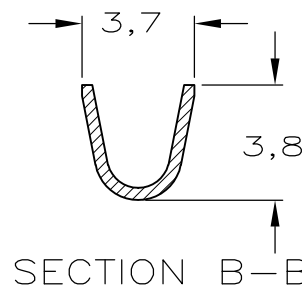
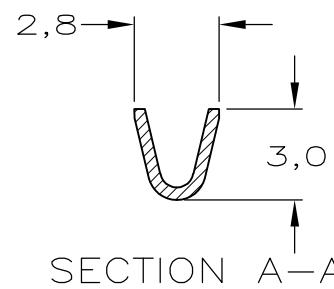
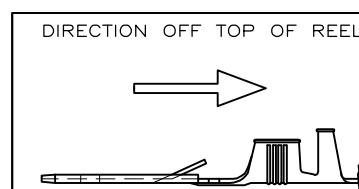


NOTES:

- △1 FOR USE ON MINIATURE APPLICATORS (LEFT-RIGHT FEED)
- △2 OBSOLETE PARTS: OBSOLETE CIS STREAMLINING PER D.RENAUD/D.SINISI



WIRE RANGE :  
2,1-3,3 mm<sup>2</sup>  
INSULATION RANGE :  
3,0-4,3mm DIA.



| PLATING | PLATING      | MATERIAL  | PARTNUMBER |
|---------|--------------|-----------|------------|
| △1      | TINPLATED    | BRASS     | 160786-5   |
| △1      | -            | BRASS     | 160786-4   |
| △1      | SILVERPLATED | Ph BRONZE | 160786-3   |
| △1      | TINPLATED    | Ph BRONZE | 160786-2   |
| △1      | -            | Ph BRONZE | 160786-1   |

|                                      |                 |                 |   |          |  |        |
|--------------------------------------|-----------------|-----------------|---|----------|--|--------|
| CUSTOMER DRAWING                     |                 |                 |   |          | FOR REFERENCE ONLY<br>WILL NOT BE UPDATED  |        |
| © COPYRIGHT 19 - BY AMP HOLLAND B.V. |                 |                 |   |          | ALL INTERNATIONAL RIGHTS RESERVED. AMP PRODUCTS MAY BE COVERED BY U.S. AND FOREIGN AND/OR PATENTS PENDING. |        |
| THIS DRAWING IS UNPUBLISHED          |                 |                 |   |          | RELEASED FOR PUBLICATION - ,19   |        |
| AMP                                  |                 |                 | AMP HOLLAND B.V.<br>'s-Hertogenbosch,<br>The Netherlands. |          |  |        |
| C1                                   | ECO-09-024717   | KK              | AEG   | 05-11-09 | NAME   |        |
| C                                    | H-9671          | JvL             | AB  | 16-10-95 | .250 SRS FASTIN-FASTON TAB   |        |
| LTR.                                 | REVISION RECORD | DR.             | CHK.  | DATE     |  |        |
| DR.: J.v.LIEMPT.                     | CHK.: A.BIJNEN. | APP.: M.v.DRIEL | DWG.No.   |          | REV.LTR.   | SHEET  |
| DATE: 16 OCT 1995                    | DATE: -         | DATE: -         | 160786  |          | C1   | 1 OF 1 |