

CODE	DIM "M" MATING LENGTH	CONTACT TYPE
K	[5.59]	SIGNAL
G	[6.86]	SIGNAL
PC	[N/A]	POWER

spec ref	See Notes	
tolerance std	TOLERANCES UNLESS OTHERWISE SPECIFIED	
See Notes	0.X	±0.50
	0.XX	±0.25
	0.XXX	±0.10
surface	linear	0°
	angular	±2°

dr	X Q Wang	2012/05/23
eng	X Q Wang	2012/05/29
chr	-	-
appr	Pei-Ming Zheng	2012/05/30

projection

MM

product family PwrBlade

size	A4	scale	1:1
ecn no	-		
rel level	Released		



title 8P + 44S + 8P
VERTICAL PRESS-FIT HEADER
cat. no. -

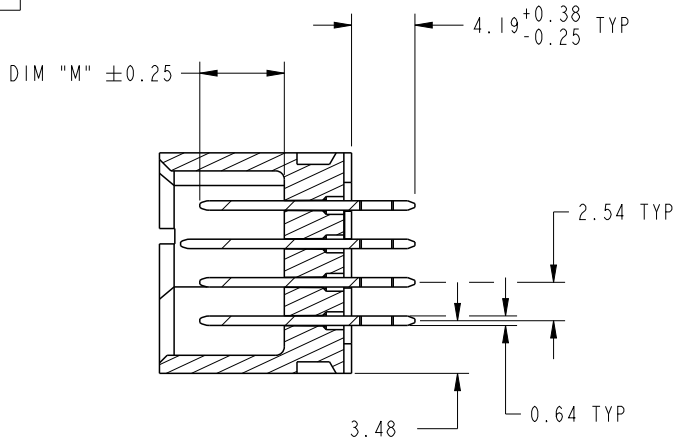
dwg no	51952-213	rev	A
Product - Customer Drw		sheet 1 of 4	

Copyright FCI.

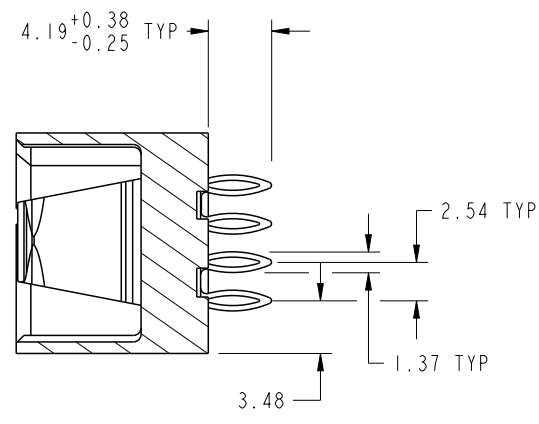
PrdrE File - REV C - 2009-06-09

PRODUCT NUMBER

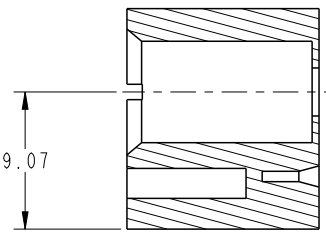
51952-213__
NOTE 3



SECTION A-A
SCALE 2:1



SECTION B-B
SCALE 2:1



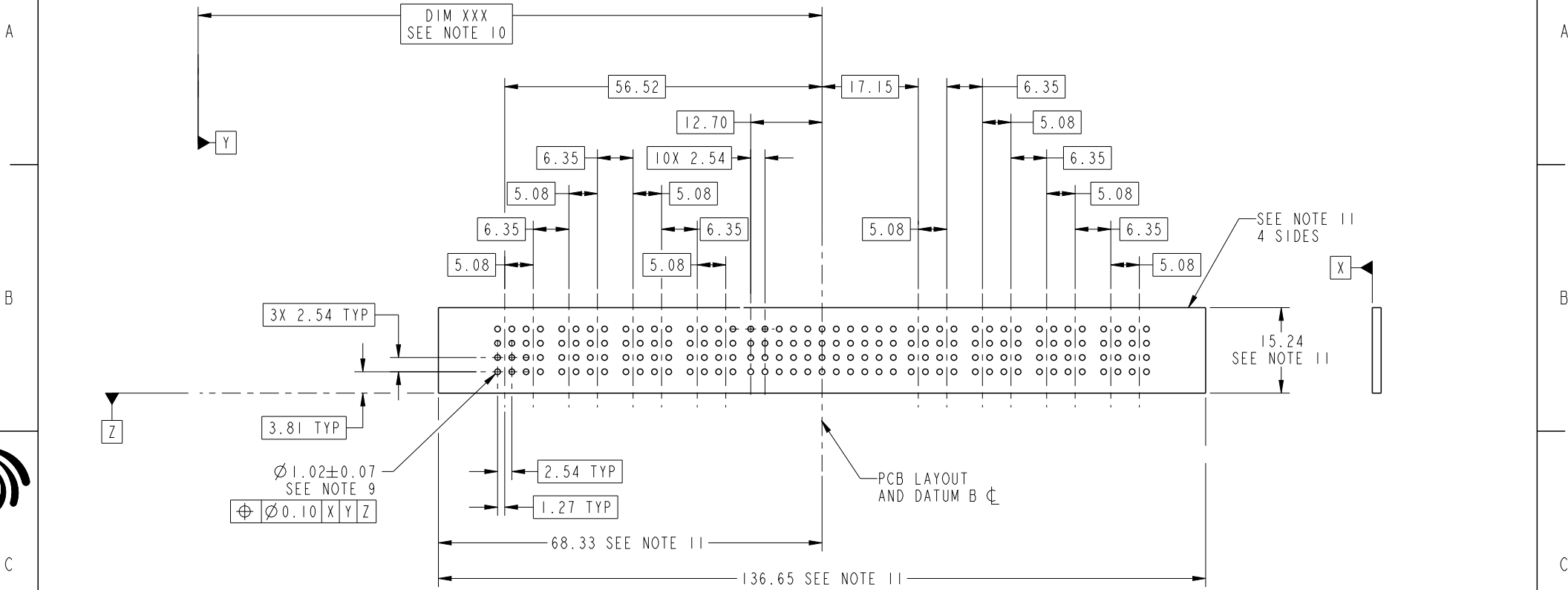
SECTION C-C
SCALE 2:1

dr	X Q Wang	2012/05/23	projection 	MM 	size	A4	scale	1:1
eng	X Q Wang	2012/05/29			ecn no	-		
chr	-	-			rel level	Released		
appr	Pei-Ming Zheng	2012/05/30	product family	PwrBlade	rev	A		
		title 8P + 44S + 8P VERTICAL PRESS-FIT HEADER	dwg no 51952-213	cat. no. -	Product - Customer Drw	sheet 2 of 4		



Copyright FCI.

PRODUCT NUMBER
51952-213__
NOTE 3



RECOMMENDED PCB LAYOUT

dr	X Q Wang	2012/05/23	projection 	MM 	size	A4	scale	1:1	
eng	X Q Wang	2012/05/29			ecn no	-			
chr	-	-			rel level	Released			
appr	Pei-Ming Zheng	2012/05/30	product family	PwrBlade					
	title	8P + 44S + 8P VERTICAL PRESS-FIT HEADER			dwg no	51952-213		rev	A
www.fci.com	cat. no.	-	Product - Customer Drw			sheet 3 of 4			



Copyright FCI.

PRODUCT NUMBER

51952-213__
NOTE 3

NOTES:

1. DIMENSIONS AND TOLERANCES ARE IN ACCORDANCE WITH ASME Y14.5M, 1994 UNLESS OTHERWISE SPECIFIED.

CONNECTOR NOTES:

- ② HOUSING MATERIAL: UL 94 V-0 GLASS FILLED HIGH-TEMP THERMOPLASTIC
POWER CONTACT MATERIAL: COPPER ALLOY
SIGNAL PIN MATERIAL: COPPER ALLOY
 - 3. SEE ITEM 3 & 4 IN PRINT 10064183 FOR PLATING SPEC OF 51952-213 AND 51952-213LF RESPECTIVELY.
 - ④ MANUFACTURER'S NAME, DATE CODE AND OPTIONAL P/N TO APPEAR ON THIS SURFACE. THE P/N CAN BE OMITTED IF THERE IS NOT ENOUGH SPACE ON THIS SURFACE.
 - 5. PRODUCT SPECIFICATION GS-12-149.
APPLICATION SPECIFICATION BUS-20-067.
 - 6. PACKAGED IN TRAYS.
- PCB NOTES:
- 7. ALL HOLE DIAMETERS ARE FINISHED HOLE SIZE.
 - 8. MOUNTING HOLES, WHERE APPLICABLE, ARE UNPLATED.
 - ⑨ $\varnothing 1.151 \pm 0.025$ DRILLED HOLES PLATED WITH 0.008 MIN SnPb OR Sn OVER .001 [0.03] TO 0.08 Cu PLATING TO ACHIEVE $\varnothing 1.02 \pm 0.07$ HOLE.
 - ⑩ "DIM XXX" TO BE DETERMINED BY THE CUSTOMER.
 - ⑪ CONNECTOR KEEP-OUT ZONE.
12. FOR PRESS FIT APPLICATION USE FCI CAM TOOL 430169-XXX.



Copyright FCI.

dr	X Q Wang	2012/05/23	projection 	MM 	size	A4	scale	1:1
eng	X Q Wang	2012/05/29			ecn no	-		
chr	-	-						
appr	Pei-Ming Zheng	2012/05/30	product family	PwrBlade	rel level	Released		
	title	8P + 44S + 8P		dwg no	51952-213		rev	A
www.fci.com	cat. no.	-	Product - Customer Drw			sheet 4 of 4		