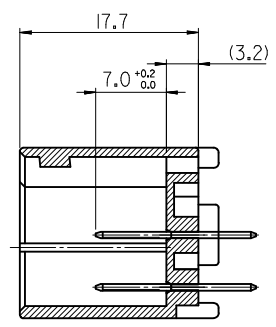
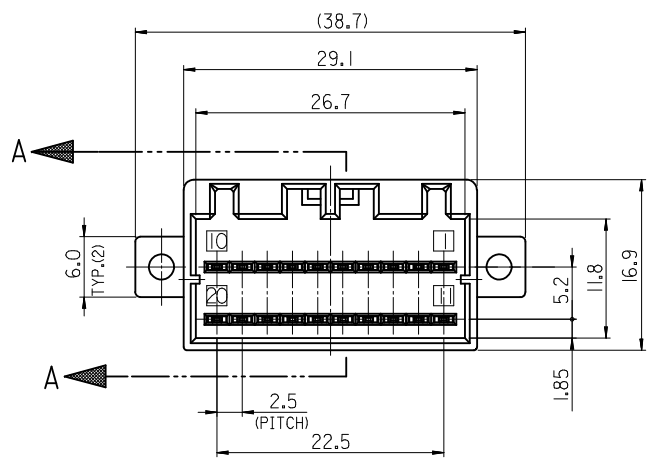
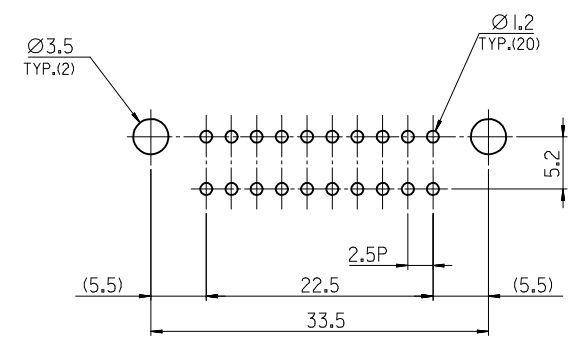


10 9 8 7 6 5 4 3 2 1



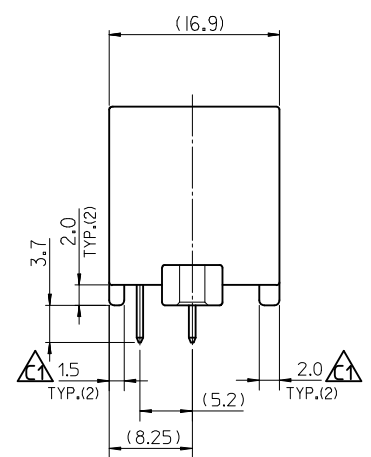
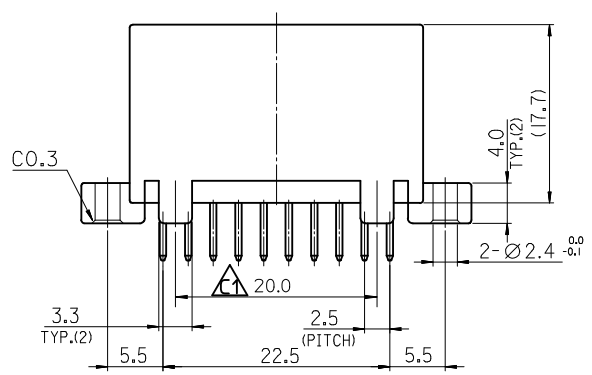
SECT.A-A



RECOMMENDED P.C.B HOLE DIMENSION (MOUNT SIDE)

NOTES

- 1.APPLICABLE FEMALE HOUSING : 35564-2015
- 2.APPLICABLE FEMALE TERMINAL : 50654-1001,50655-1068
50655-1031
- 3.MATERIAL:HOUSING-POLYESTER (PBT)
TERMINAL-BRASS, FINISH-TIN PLATING



<TABLE 1>

MATERIAL NO.	ORDER NO.	COLOR
681512015	68151-2015	GRAY
681512016	68151-2016	WHITE

REVISED DIMENSION	EC NO: KTR2016-0047	2016/01/29	QUALITY SYMBOLS ▽=0 ∇=0	GENERAL TOLERANCES (UNLESS SPECIFIED)		DIMENSION STYLE MM ONLY		SCALE	DESIGN UNITS METRIC	THIRD ANGLE PROJECTION		
	DRWN:SJLEE06	2016/01/29		mm	INCH	DRAWN BY	DATE	TITLE	040 WIRE TO BOARD CONNECTOR 20P HEADER ASSY (VTL)			
	CHKD:BCY00N	2016/01/29		4 PLACES	± ---	± ---	YSIKKIM	1999/05/12				
	APPR:JYCH01	2016/02/25		3 PLACES	± ---	± ---	CHECKED BY	DATE		MOLEX INCORPORATED		
				2 PLACES	± 0.20	± ---	BKCH01	1999/05/12				
		1 PLACE	± 0.30	± ---	APPROVED BY	DATE		SD-68151-001				
		ANGULAR ± 1 °			CWLEE	1999/05/12					SHEET NO. 1 OF 1	
C1	DRAFT WHERE APPLICABLE MUST REMAIN WITHIN DIMENSIONS			MATERIAL NO.		SEE TABLE1		DOCUMENT NO.				
				SIZE		THIS DRAWING CONTAINS INFORMATION THAT IS PROPRIETARY TO MOLEX INCORPORATED AND SHOULD NOT BE USED WITHOUT WRITTEN PERMISSION						

9 8 7 6 5 4 3 2 1