

THIS DRAWING IS UNPUBLISHED.

RELEASED FOR PUBLICATION

20

© COPYRIGHT 20

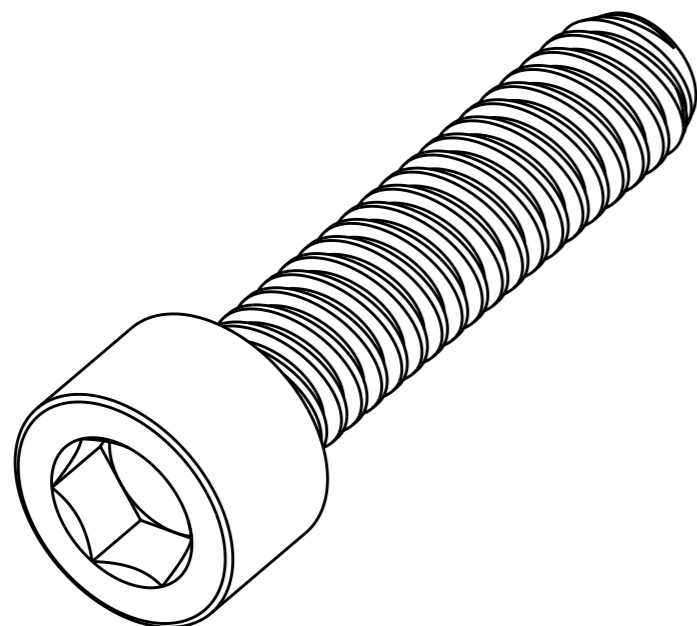
BY -

ALL RIGHTS RESERVED.

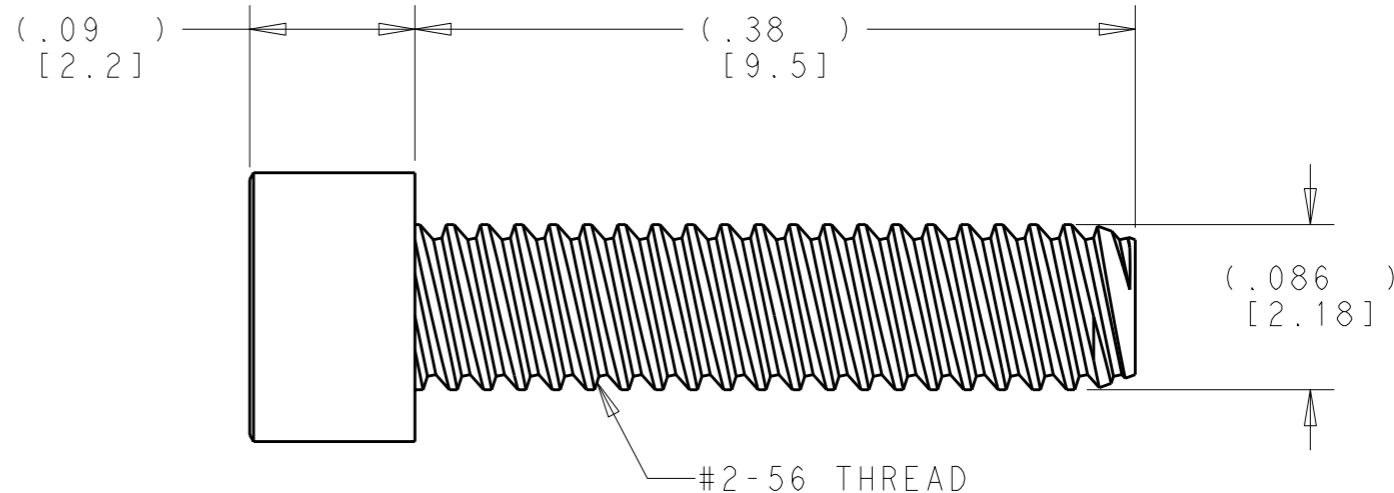
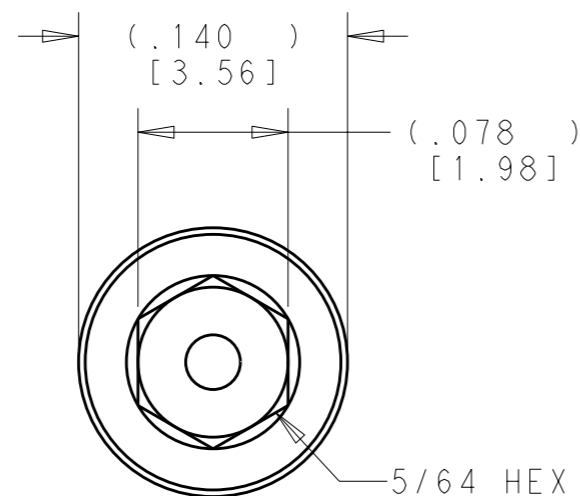
LOC GP DIST 00

REVISIONS

P	LTR	DESCRIPTION	DATE	DWN	APVD
	A	RELEASED PER ECO-12-006362	15MAY2012	CJV	MRS



1 MATERIAL:
 SOCKET HEAD CAP SCREW: 300 SERIES STAINLESS STEEL



2180467-1

PART NUMBER

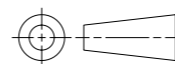
THIS DRAWING IS A CONTROLLED DOCUMENT.

DWN B. MATTHEWS 22MAR2011
 CHK M. SCHMITT 22MAR2011
 APVD M. SCHMITT 22MAR2011

STE TE Connectivity

DIMENSIONS:
INCHES [mm]

TOLERANCES UNLESS OTHERWISE SPECIFIED:



0 PLC ±-
 1 PLC ±.1
 2 PLC ±.01
 3 PLC ±.001
 4 PLC ±.0001
 ANGLES ±-

PRODUCT SPEC 108-2399
 APPLICATION SPEC 114-13263
 WEIGHT -

NAME 2-56 UNC x .375 LONG SOCKET HEAD CAP SCREW, STAINLESS STEEL CFP EXTERNAL BRACKET

SIZE A3 CAGE CODE 00779 DRAWING NO C-2180467 RESTRICTED TO -

MATERIAL

FINISH -



CUSTOMER DRAWING

SCALE 10:1 SHEET 1 OF 1 REV A