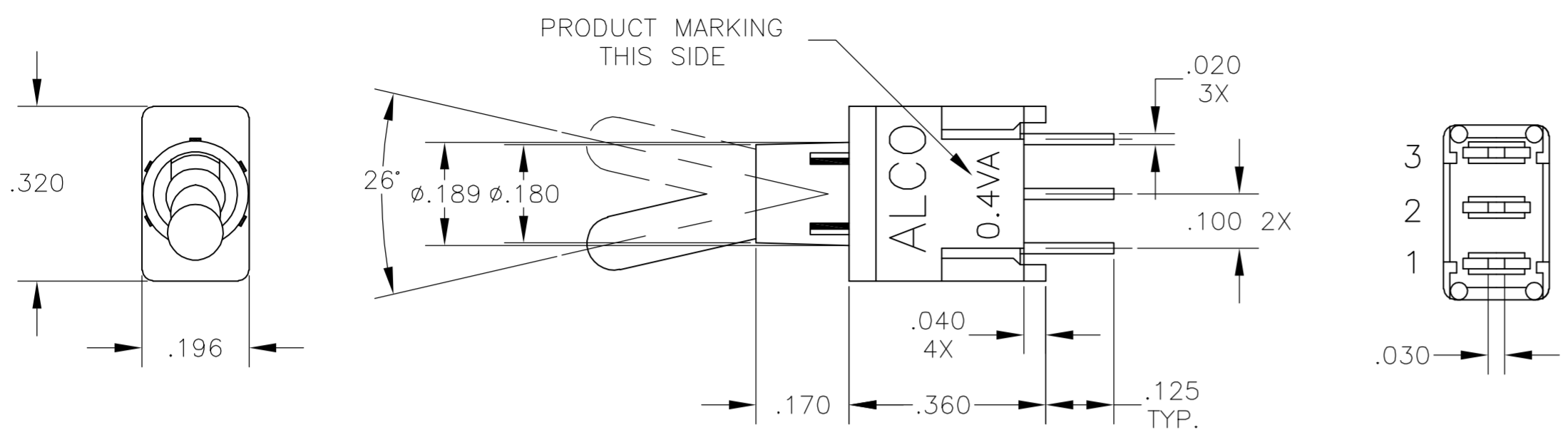
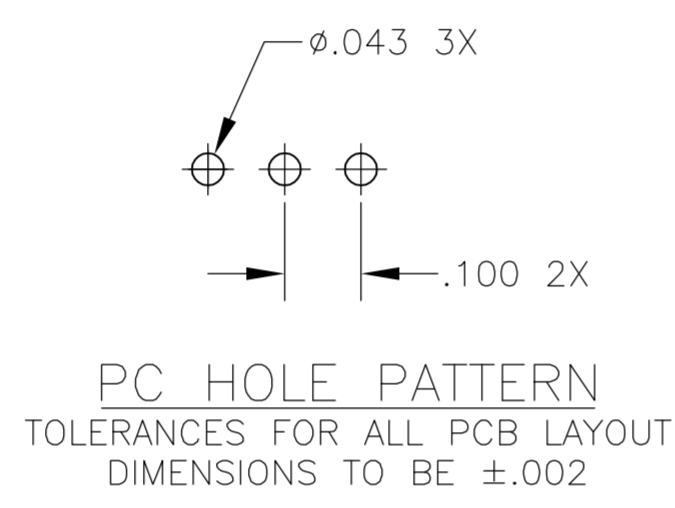


THIS DRAWING IS UNPUBLISHED. RELEASED FOR PUBLICATION
 © COPYRIGHT BY TYCO ELECTRONICS CORPORATION. ALL RIGHTS RESERVED.

LOC		DIST		REVISIONS			
P	LTR	DESCRIPTION	DATE	DWN	APVD		
AD	00	A	REVISED PER ECO-05-012969	11-25-05	HMR	-	



PC MOUNT



SPECIFICATIONS:
MATERIALS:
 CASE & BUSHING : LCP
 BRACKET : STEEL, TIN OVER COPPER PLATED
 O-RING : NITRILE
 LEVER : BRASS, NICKEL PLATED
 SPRING : MUSIC WIRE
 RETAINING PLATE : STEEL, NICKEL PLATED
 PLUNGER : STAINLESS STEEL
 INSULATOR : PTFE
 MOVEABLE CONTACT : BRASS OR COPPER ALLOY, GOLD OVER NICKEL PLATED
 TERMINALS : BRASS, TIN OVER NICKEL IN SOLDER AREA AND GOLD OVER Ni IN CONTACT AREA

ELECTRICAL:
 CONTACT RATING : 0.4 VA @ 20 VDC OR PEAK AC
 INITIAL CONTACT RESISTANCE: 20 MILLIOHMS MAX.
 INSULATION RESISTANCE : 1,000 MEGOHMS AT 500 VDC MIN.
 DIELECTRIC STRENGTH : 1,000 VOLTS RMS AT SEA LEVEL
 LIFE EXPECTANCY : 2 POSITION: 80,000 CYCLES
 3 POSITION: 60,000 CYCLES
 MOMENTARY: 30,000 CYCLES

ENVIRONMENTAL:
 OPERATING TEMPERATURE : -22°F TO +185°F (-30°C TO +85°C)
 STORAGE TEMPERATURE : -67°F TO +185°F (-55°C TO +85°C)

NOTES:
 1. ALL MATERIALS & FINISHES COMPLY WITH EU DIRECTIVE 2002/95/EC OF 27JAN2003 (ROHS)

PART NUMBERING SEQUENCE

MODEL	NO. OF POLES	CONTACT RATINGS	FUNCTION	CONTACT PLATINGS	TERMINATIONS	ACTUATOR	BUSHING (PLAIN)	TAPE & REEL PKGNG.	ROHS
TST	1	1	D ON NONE ON E ON OFF ON F ON NONE (ON) G (ON) OFF (ON) H ON OFF (ON)	G	PC PC PCV P.C. WITH BRACKET RA RIGHT ANGLE VRA VERTICAL RIGHT ANGLE	1 .206" 2 .250" 4 .400"	D	TR	04

FUNCTION CHART
 THE FOLLOWING FUNCTIONS AVAILABLE IN SINGLE POLE

NONE INDICATES NO MECHANICAL POSITION.	D	2 POSITIONS	ON	NONE	ON
OFF INDICATES A MECHANICAL POSITION WITH NO ELECTRICAL CONNECTION.	E	3 POSITIONS	ON	OFF	ON
(ON) INDICATES MOMENTARY ACTION.	F	2 POSITIONS	ON	NONE	(ON)
	G	3 POSITIONS	(ON)	OFF	(ON)
	H	3 POSITIONS	ON	OFF	(ON)

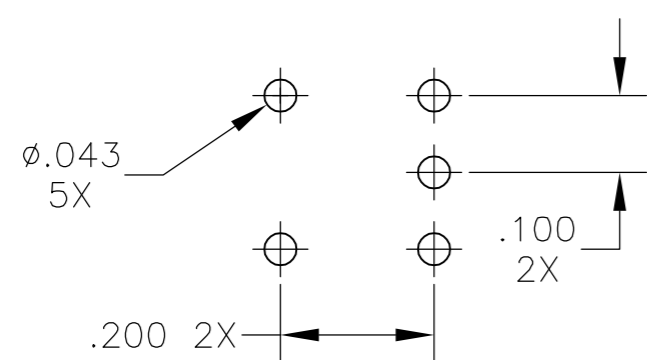
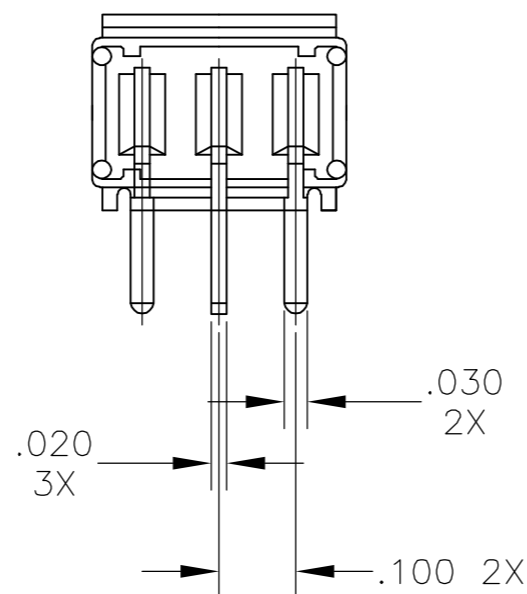
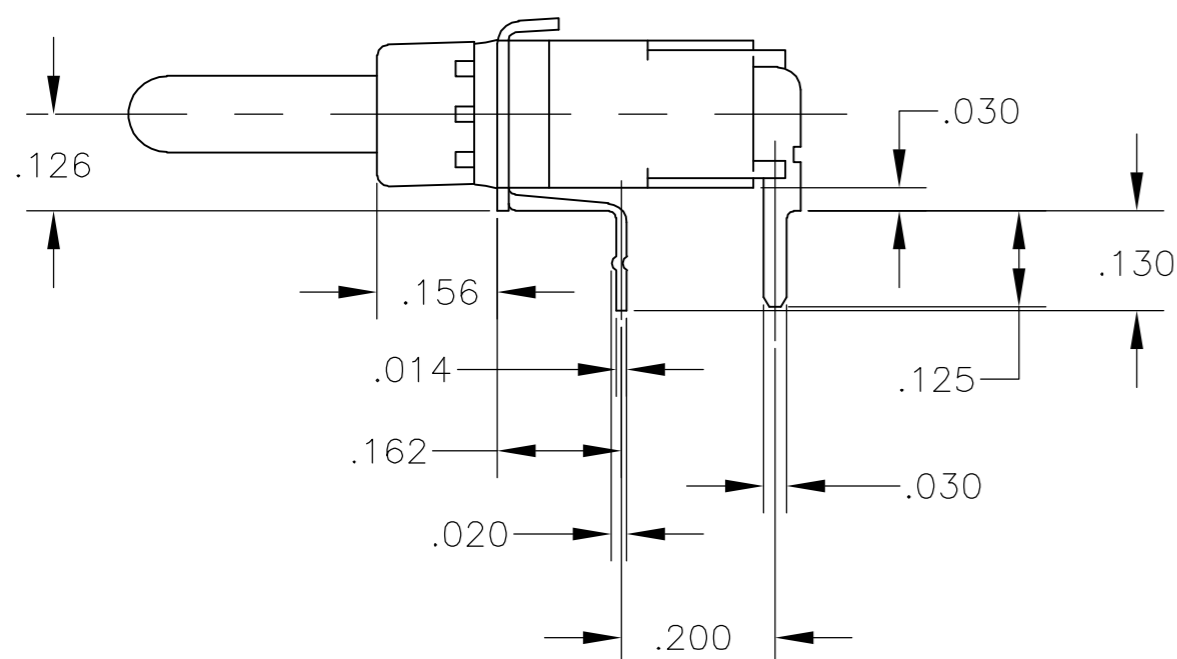
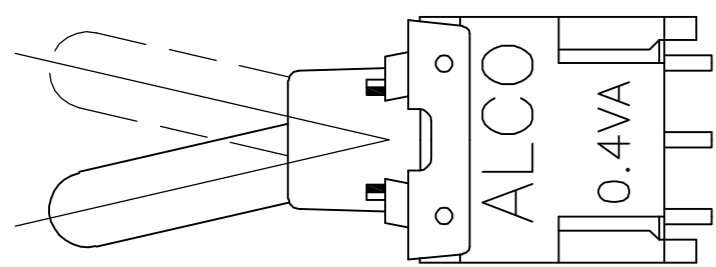
TERMINALS CONNECTED: 1-2, -, 2-3

ROHS PARTS	
TYCO P/N	ALCO P/N
1825455-1	TST11DGPC1D04
1825455-2	TST11DGPCV1D04
1825455-3	TST11DGRA1D04
1825455-4	TST11DGVRA1D04
1825455-5	TST11EGPC4D04

THIS DRAWING IS A CONTROLLED DOCUMENT.		DWN C.M.M. 7-11-90	Tyco Electronics Corporation Harrisburg, Pa 17105-3608	
DIMENSIONS: INCHES		CHK B.J.A. 12-20-90		
TOLERANCES UNLESS OTHERWISE SPECIFIED:		APVD B.J.A. 12-20-90	NAME	
0 PLC \pm - 1 PLC \pm - 2 PLC \pm - 3 PLC \pm .010 4 PLC \pm - ANGLES \pm 3'		PRODUCT SPEC	SEALED TOGGLE SWITCH, SINGLE POLE, TST SERIES	
MATERIAL FINISH		APPLICATION SPEC	SIZE A2	CAGE CODE 00779
		WEIGHT -	DRAWING NO. C=1825455	RESTRICTED TO -
CUSTOMER DRAWING			SCALE 4:1	SHEET 1 OF 3 REV A

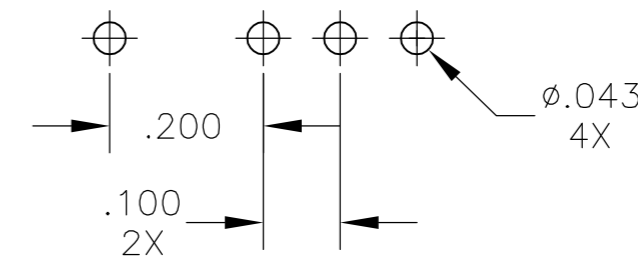
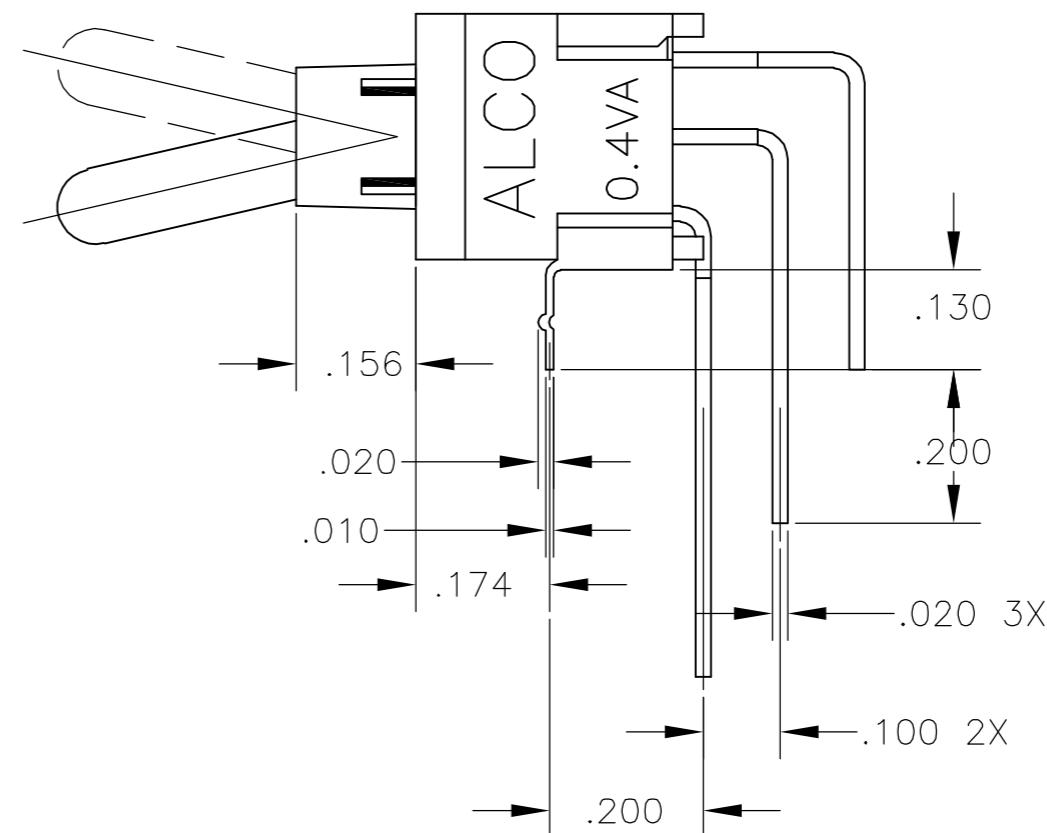
THIS DRAWING IS UNPUBLISHED. RELEASED FOR PUBLICATION
 © COPYRIGHT BY TYCO ELECTRONICS CORPORATION. ALL RIGHTS RESERVED.

LOC	DIST	REVISIONS			
P	LTR	DESCRIPTION	DATE	DWN	APVD
AD	00	SEE SHEET 1	-	-	-



TOLERANCES FOR ALL PCB LAYOUT DIMENSIONS TO BE $\pm.002$

RIGHT ANGLE



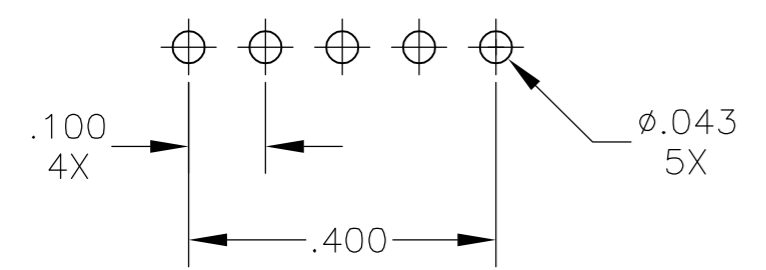
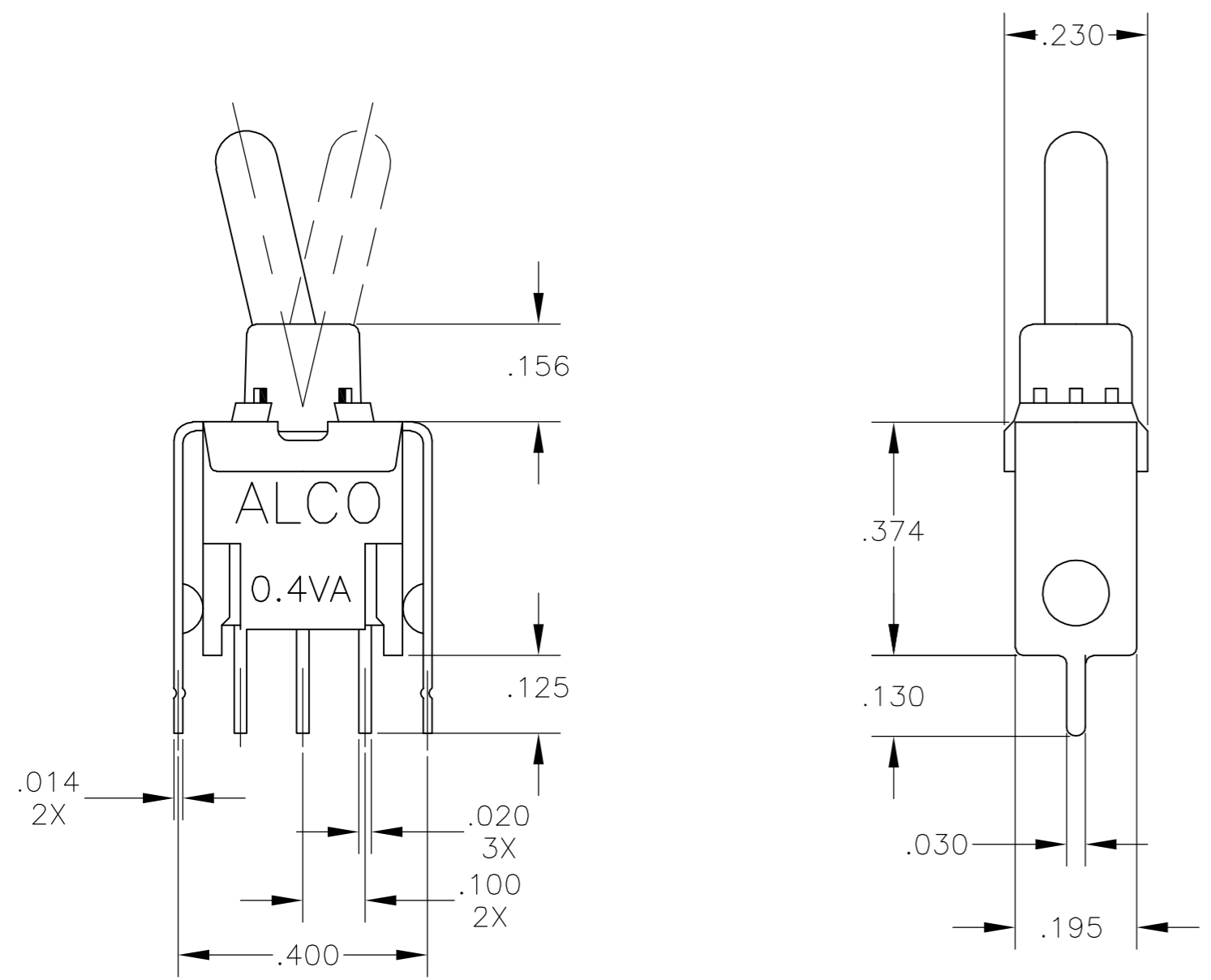
TOLERANCES FOR ALL PCB LAYOUT DIMENSIONS TO BE $\pm.002$

VERTICAL RIGHT ANGLE

THIS DRAWING IS A CONTROLLED DOCUMENT.		DWN C.M.M.	7-11-90	 Tyco Electronics Corporation Harrisburg, Pa 17105-3608																	
DIMENSIONS: INCHES		CHK B.J.A.	12-20-90																		
TOLERANCES UNLESS OTHERWISE SPECIFIED:		APVD B.J.A.	12-20-90																		
<table border="1"> <tr><td>0 PLC</td><td>\pm</td><td>-</td></tr> <tr><td>1 PLC</td><td>\pm</td><td>-</td></tr> <tr><td>2 PLC</td><td>\pm</td><td>-</td></tr> <tr><td>3 PLC</td><td>\pm</td><td>.010</td></tr> <tr><td>4 PLC</td><td>\pm</td><td>-</td></tr> <tr><td>ANGLES</td><td>\pm</td><td>3°</td></tr> </table>		0 PLC	\pm		-	1 PLC	\pm	-	2 PLC	\pm	-	3 PLC	\pm	.010	4 PLC	\pm	-	ANGLES	\pm	3°	PRODUCT SPEC
0 PLC	\pm	-																			
1 PLC	\pm	-																			
2 PLC	\pm	-																			
3 PLC	\pm	.010																			
4 PLC	\pm	-																			
ANGLES	\pm	3°																			
MATERIAL	FINISH	APPLICATION SPEC	RESTRICTED TO	SEALED TOGGLE SWITCH, SINGLE POLE, TST SERIES																	
-		WEIGHT	-	SIZE																	
-		CUSTOMER DRAWING	SCALE 4:1	CAGE CODE																	
-		A2 00779		DRAWING NO																	
-		C=1825455		SHEET 2 OF 3																	
-		REV A		REV																	

THIS DRAWING IS UNPUBLISHED. RELEASED FOR PUBLICATION
 © COPYRIGHT BY TYCO ELECTRONICS CORPORATION. ALL RIGHTS RESERVED.

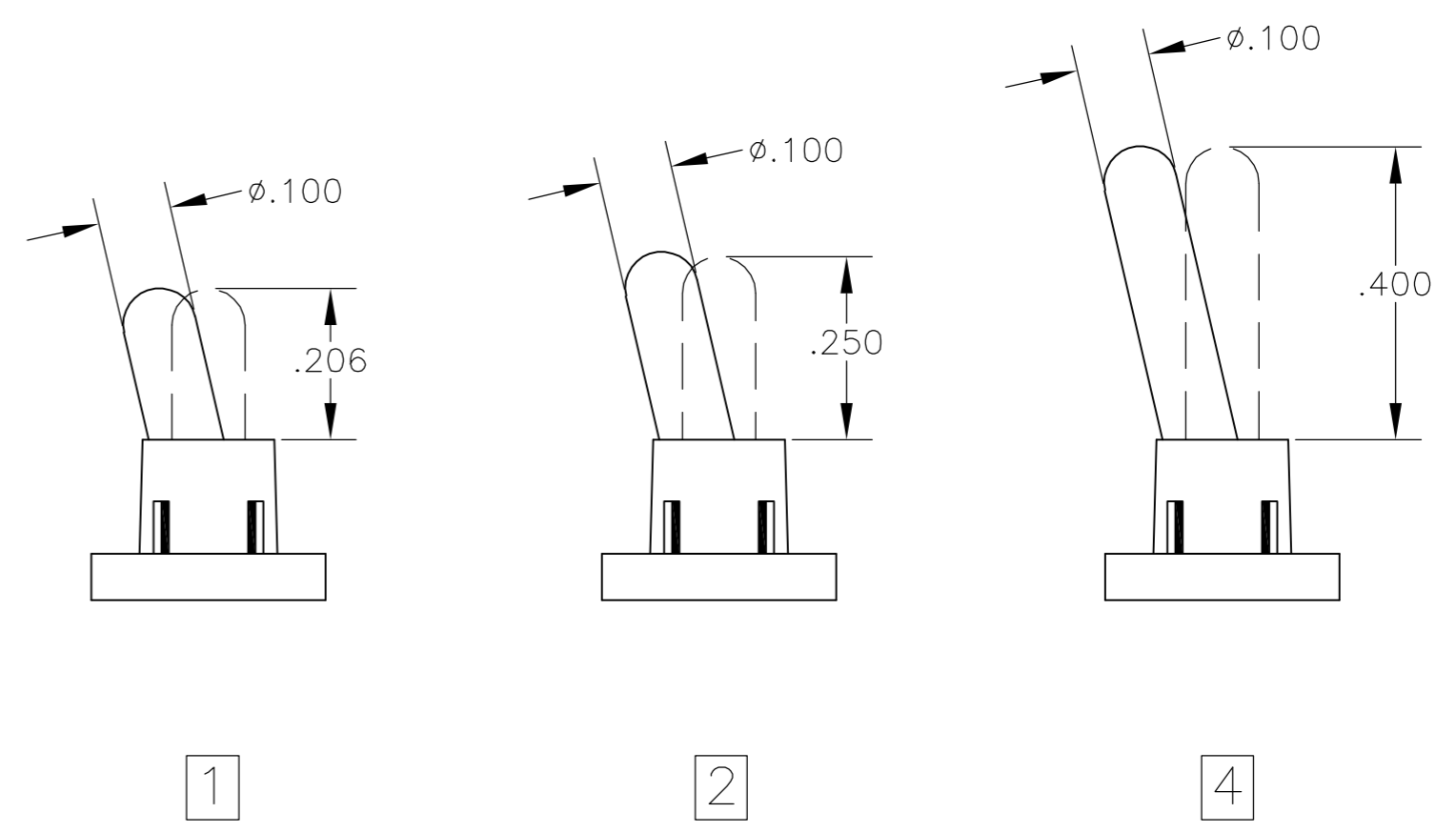
LOC		DIST		REVISIONS			
P	LTR	DESCRIPTION	DATE	DWN	APVD		
AD	00	SEE SHEET 1	-	-	-		



TOLERANCES FOR ALL PCB LAYOUT DIMENSIONS TO BE ±.002

PCV PC WITH VERTICAL SUPPORT BRACKET

ACTUATORS



THIS DRAWING IS A CONTROLLED DOCUMENT.		DWN	C.M.M.	7-11-90	 Tyco Electronics Corporation Harrisburg, Pa 17105-3608
DIMENSIONS: INCHES		CHK	B.J.A.	12-20-90	
TOLERANCES UNLESS OTHERWISE SPECIFIED:		APVD	B.J.A.	12-20-90	
0 PLC ± - 1 PLC ± - 2 PLC ± - 3 PLC ± .010 4 PLC ± - ANGLES ± 3° FINISH -		PRODUCT SPEC		NAME	
MATERIAL -		APPLICATION SPEC		SEALED TOGGLE SWITCH, SINGLE POLE, TST SERIES	
		WEIGHT	-		SIZE
		CUSTOMER DRAWING		SCALE	4:1
		SHEET		3	OF
		REV		A	
		RESTRICTED TO		-	