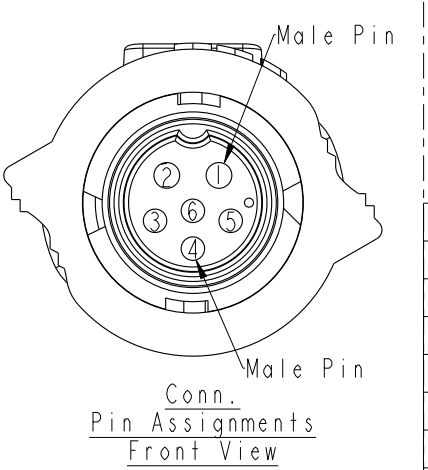
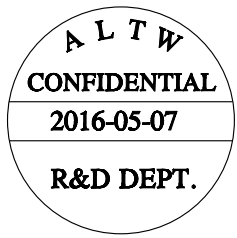
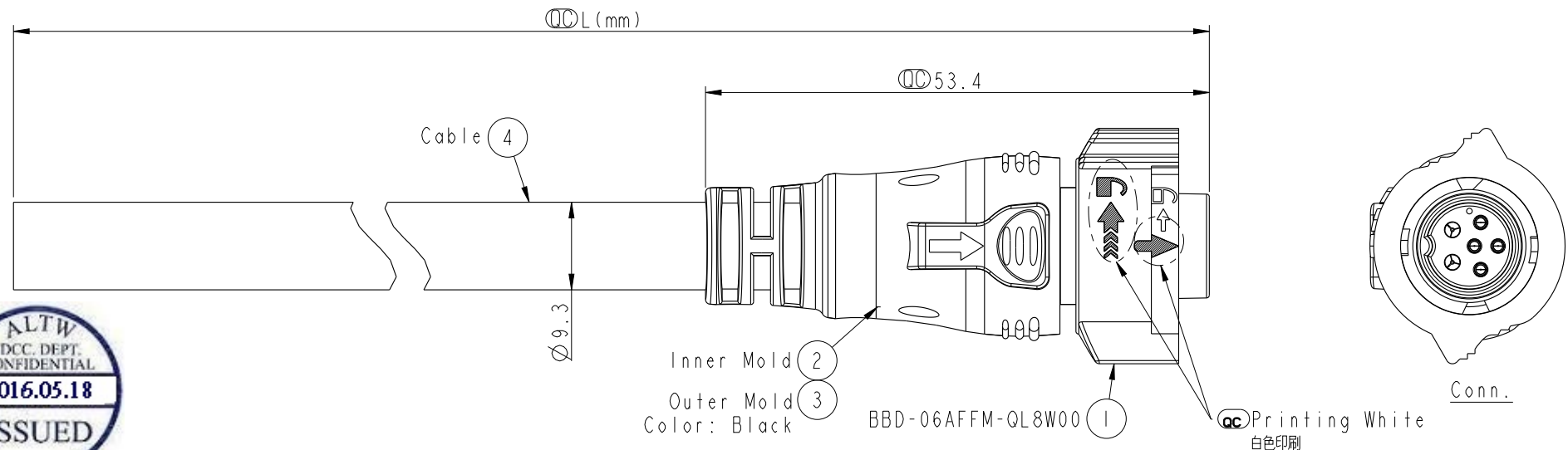


THIS DOCUMENT IS SUBJECT TO CHANGE WITHOUT NOTICE. IT IS CONFIDENTIAL AND A PROPERTY OF Amphenol LTW. DISCLOSURE TO THIRD PARTY HAS TO BE AUTHORIZED BY Amphenol LTW.

REV.	ECN NO.	DATE	SIGN	DESCRIPTION
A	Initial Release	2016-05-07	Spring	Change Rev.02 To Rev.A



6	Blue (26AWG)	藍	Twist 對線
5	Red (26AWG)	紅	
4	Green (26AWG)	綠	Twist 對線
3	White (26AWG)	白	
2	Black (16AWG)	黑	
1	White (16AWG)	白	
Conn.	Wire Color		
	Pin Out		

BBD-06AFMM-QL8FXX
 XX:01~99Meters
 01:01Meter
 02:01Meters
 :
 :
 99:99Meters
 Cable Length(L):01~99Meters

- Note:
- * \varnothing Important Dimension To Check.
 - * Waterproof Rate: IP68(Mated)
In 1 meter water within 24 hours
 - * Working Voltage Rating:
Power: AC/DC 300V
Data: DC 30V
 - * Working Current:
Power: 10A
Data: 05A
 - * Housing: Nylon+GF, Black.
 - * Pin: Copper Alloy, Gold Plated.
 - * O-Ring: Silicone, Gray.
 - * Cable: UL21996 16AWG*2C+(26AWG*2P+AL/MY)
+F+AL/MY, PVC Jacket, OD=9.3, Black.
 - * Cable Length Tolerance: 01M: ±40mm
02M~05M: ±60mm
06M~10M: ±100mm
11M~30M: ±200mm
31M~99M: ±500mm

UNIT:mm TOLERANCE ±0.5mm	TITLE CIRCULAR, STANDARD, CABLE X-LOK (2+4)PIN F CONN M PIN			Amphenol LTW 安費諾亮泰企業股份有限公司	ITEM NO	DRAWN BY Spring	DATE 2016-05-07
	SCALE 3:2	SIZE A4	SHEET 1 OF 1		DWG NO BBD-06AFMM-QL8FXX	CHECKED BY Fisher	DATE 2016-05-07
	REV. A	WC-REV. A.1	\varnothing : Inspection item		CUSTOMER ALTW	APPROVED BY Kevin	DATE 2016-05-07