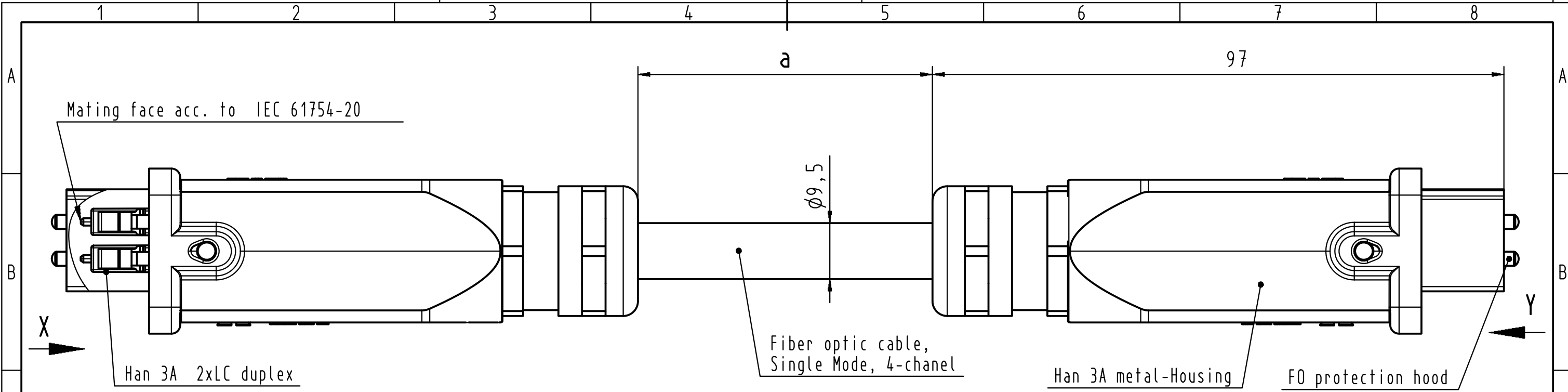
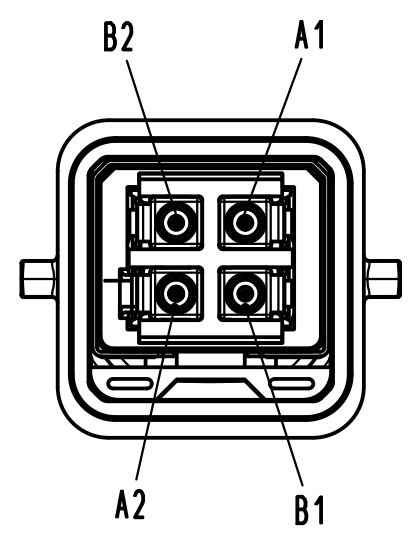


Alle Rechte vorbehalten/ All rights reserved

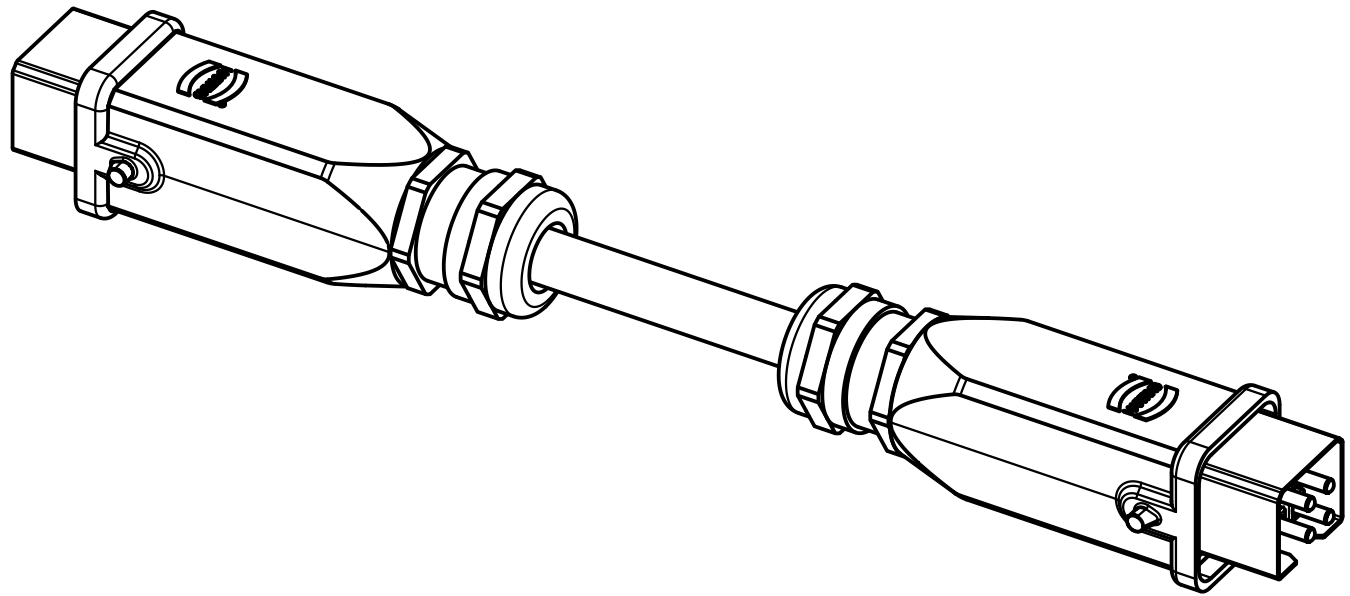
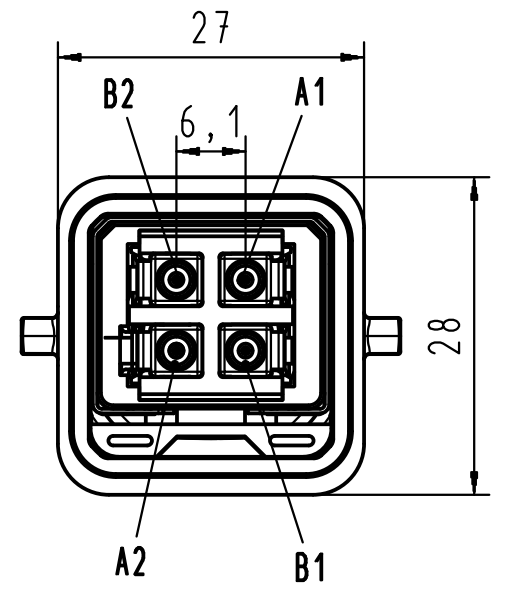


X
(without protection hood)



- A1 — orange 1 — B2
- B1 — orange 2 — A2
- A2 — orange 3 — B1
- B2 — orange 4 — A1

Y



-Protection level: IP67/65
-Temperature range: -40°C ... +70°C

Cont No.	Type of cable	Part-No.	Dim. a
9	Fiber optic cable Single Mode, 4 chanel	33 54 211 300 0001	300 m
8	Fiber optic cable Single Mode, 4 chanel	33 54 211 100 0001	100 m
7	Fiber optic cable Single Mode, 4 chanel	33 54 211 060 0001	60 m
6	Fiber optic cable Single Mode, 4 chanel	33 54 211 050 0001	50 m
5	Fiber optic cable Single Mode, 4 chanel	33 54 211 040 0001	40 m
4	Fiber optic cable Single Mode, 4 chanel	33 54 211 020 0001	20 m
3	Fiber optic cable Single Mode, 4 chanel	33 54 211 010 0001	10 m
2	Fiber optic cable Single Mode, 4 chanel	33 54 211 005 0001	5 m
1	Fiber optic cable Single Mode, 4 chanel	33 54 211 001 0001	1 m

 All Dimensions in mm Original Size DIN A 3 For Information Only -won't be replaced when changed-	Techn. Character.			Nicht tolerierte Maß/Free size tolerances	
	Detail.	Dat.	Name	Fiber optic cable assembly 2xHan 3A 2xLC DUPLEX, metal Single Mode	
	Insp.	23.07.09	RA		
	Stand.				
DRS531A	HARTING Electronics GmbH & Co. KG			 TB 33 54 211 xxx 0001	Blatt/ page
Mod.	Dat.	Name	D-32339 ESPELKAMP		