

(0.08)
 ROW 1 POSITION MARKER (BOTH SIDES) SEE NOTE 3
 0.20
 Ø0.64 SOLDER BALLS
 ⊕ Ø0.25 X Y
 600X
 SEE NOTE 2

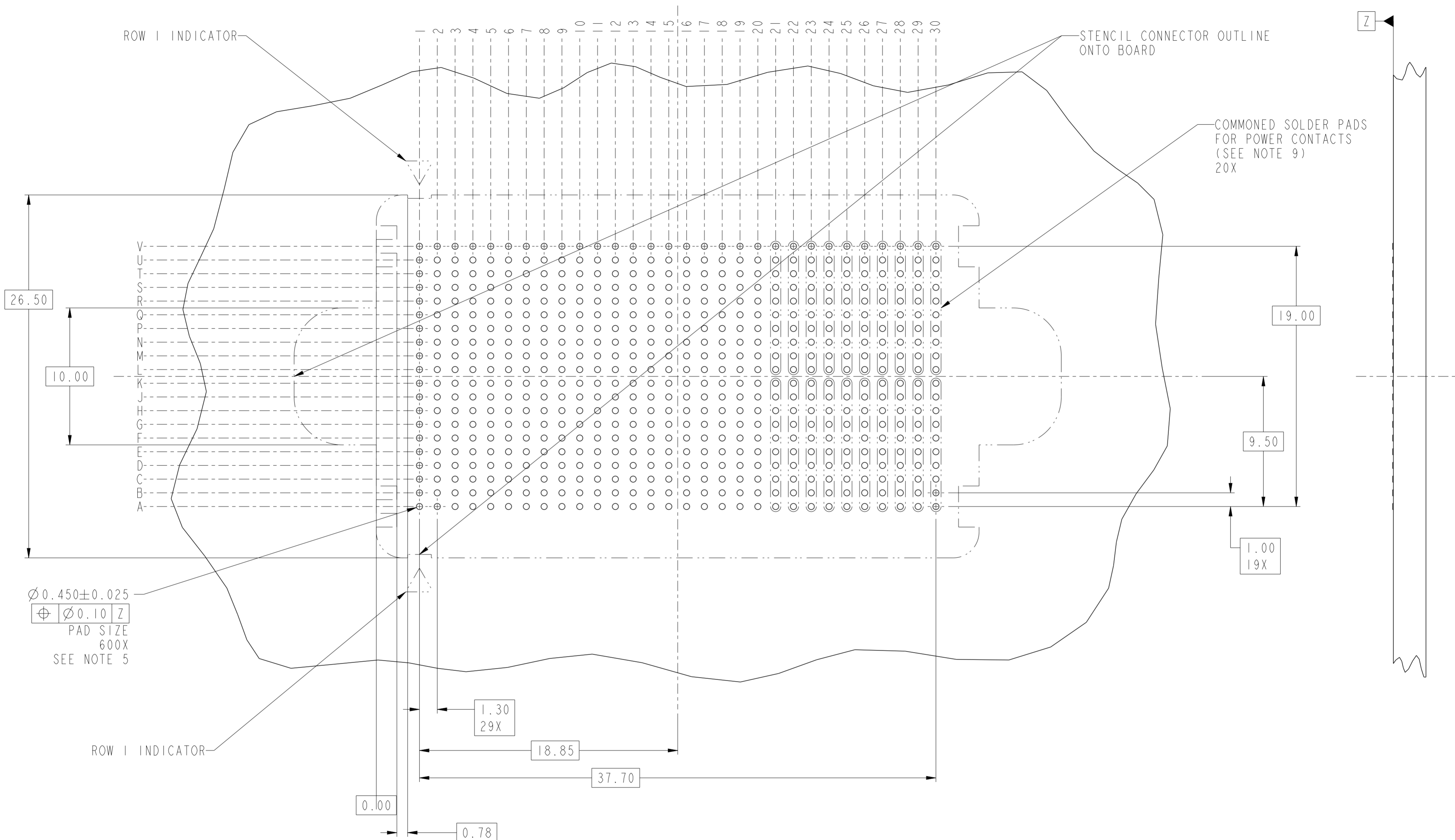
spec ref	dr	Robinson Johnson	2009/04/15	projection	MM	size	A2	scale	4:1
tolerance std	eng	Robinson Johnson	2011/07/11			ecn no	-	rel level	Released
ASME Y14.5	chr	-							
TOLERANCES UNLESS OTHERWISE SPECIFIED									
surface	appr	Steve Minich	2011/07/12	product family	TwinMezz	rel level	Released	cat. no.	-
linear	0.X	±0.3		title	TwinMezz	dwg no	10100076-91930P	rev	A
	0.XX	±0.10		6 PAIR ASSEMBLY W/POWER - PLASTIC GUIDES	Product - Customer Drw	sheet 1 of 4			
angular	0°	±2°		www.fci.com					

Copyright FCI.
 FCI

ROW 1 INDICATOR

STENCIL CONNECTOR OUTLINE
ONTO BOARD

COMMONED SOLDER PADS
FOR POWER CONTACTS
(SEE NOTE 9)
20X



ROW 1 INDICATOR

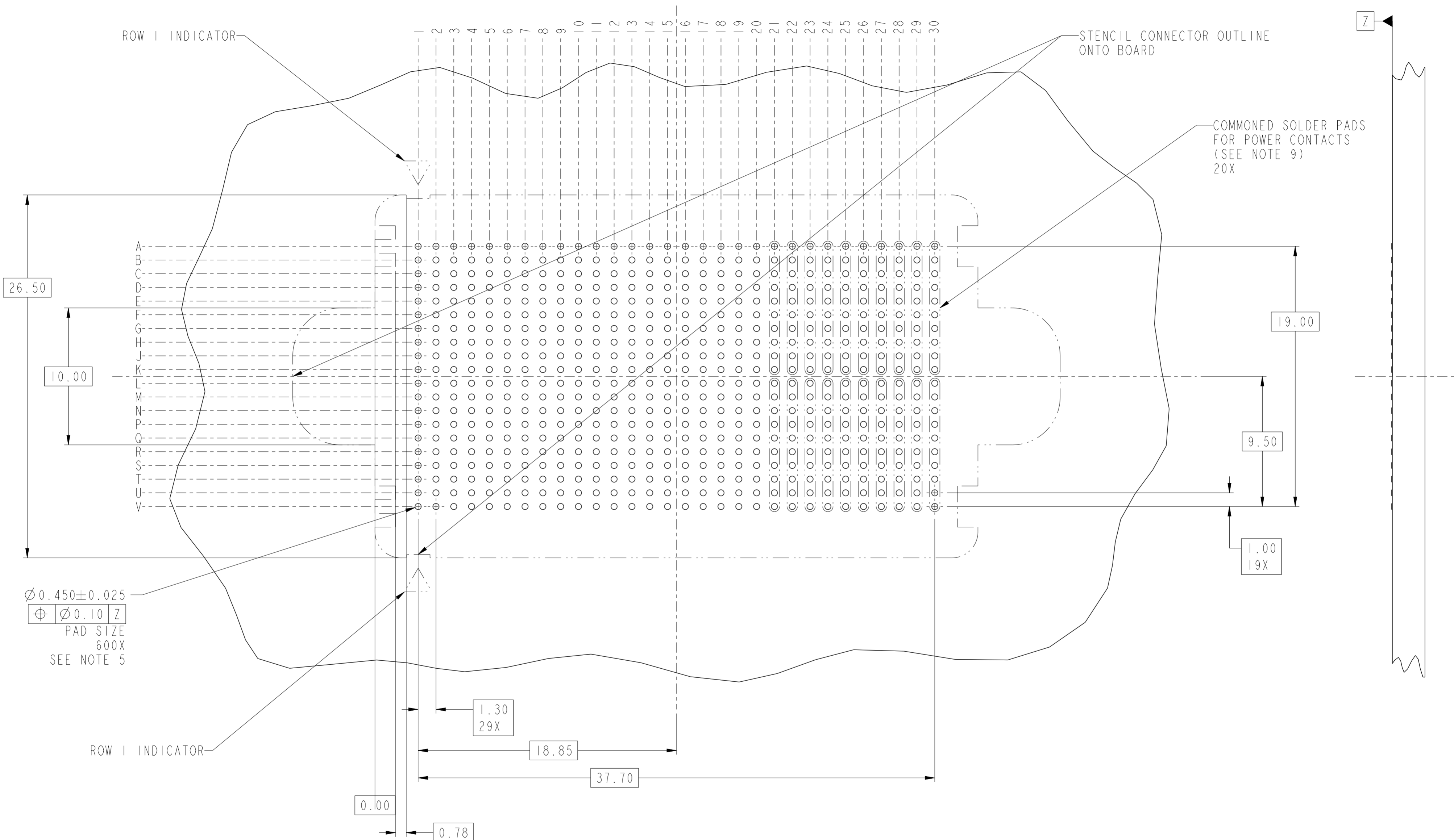
BOARD LAYOUT - CONNECTOR 1
(SEE NOTE 4)
SCALE 5:1

spec ref	dr	Robin Johnson	2009/04/15	projection	MM	size	A2	scale	4:1
tolerance std	eng	Robin Johnson	2011/07/11		ecn no	rel level	Released		title TwinMezz 6 PAIR ASSEMBLY W/POWER - PLASTIC GUIDES cat. no.
ASME Y14.5	chr	-	2011/07/12						
surface	appr	Steve Minich		Product - Customer Drw		sheet 2 of 4			
linear	0.X	±0.3	0.XX	±0.10	0.XXX	±0.050			
angular	0°	±2°							

ROW 1 INDICATOR

STENCIL CONNECTOR OUTLINE ONTO BOARD

COMMONED SOLDER PADS FOR POWER CONTACTS (SEE NOTE 9) 20X



$\varnothing 0.450 \pm 0.025$
 $\varnothing 0.10$ Z
 PAD SIZE
 600X
 SEE NOTE 5

ROW 1 INDICATOR

BOARD LAYOUT - CONNECTOR 2

(SEE NOTE 4)
 SCALE 5:1

spec ref	dr	Robin Johnson	2009/04/15	projection	MM	size	A2	scale	4:1
tolerance std	eng	Robin Johnson	2011/07/11			ecn no	-	rel level	Released
ASME Y14.5	chr	-							
TOLERANCES UNLESS OTHERWISE SPECIFIED									
surface	appr	Steve Minich	2011/07/12	product family	TwinMezz	rel level	Released	rev	A
linear	0.X	± 0.3		title		TwinMezz		10100076-91930P 6 PAIR ASSEMBLY W/POWER - PLASTIC GUIDES	sheet 3 of 4
0.XX	± 0.10	cat. no.		-	Product - Customer Drw				
0.XXX	± 0.050	PDS: Rev :A		STATUS:Released	Printed: Jul 13, 2011				
angular	0°	$\pm 2^\circ$							

PRODUCT NUMBER	SOLDER BALL
10100076-91930P	SnPb
10100076-91930PLF	SnAgCu LEADFREE ⑦

NOTES:

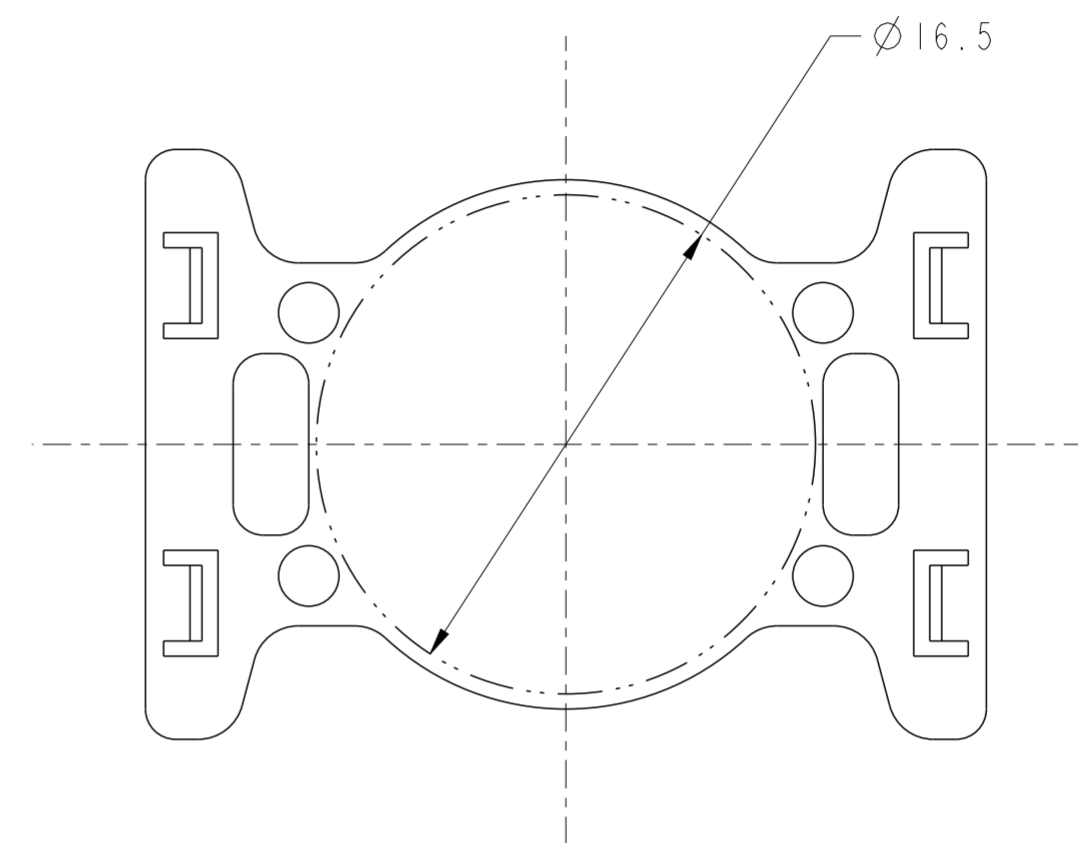
1. MATERIAL:
HOUSING: HIGH TEMPERATURE THERMOPLASTIC
UL RATING: 94 V-0

PICK-UP CAP: HIGH TEMPERATURE THERMOPLASTIC
UL RATING: 94 V-0

CONTACT: COPPER ALLOY

PLATING (CONTACT): PERFORMANCE BASED, CAPABLE OF MEETING THE REQUIREMENTS OF FCI PRODUCT SPECIFICATION GS-12-558

SOLDER BALL: (SEE TABLE) EUTECTIC SnPb OR LEADFREE 95.5 Sn/4Ag/0.5Cu
- ② SOLDER BALLS WILL NOT BE A PERFECT SPHERICAL SHAPE DUE TO REFLOW ATTACHMENT.
- ③ DUE TO THE HERMAPHRODITIC DESIGN OF THIS CONNECTOR, A ROW 1 POSITION MARKER WILL BE LASER MARKED ONTO BOTH SIDES OF THE CONNECTOR HOUSING FOR ORIENTATION.
- ④ DUE TO THE HERMAPHRODITIC DESIGN OF THIS CONNECTOR, TWO BOARD LAYOUTS HAVE BEEN GIVEN AS EXAMPLES TO SHOW THE PIN NUMBERING DESIGNATIONS FOR CONNECTOR NUMBER 1 AND MATING CONNECTOR NUMBER 2.
- ⑤ SPECIFIED POSITIONAL TOLERANCE DEFINES PAD TO PAD LOCATION WITHIN LAND PATTERN. POSITIONAL TOLERANCE OF LAND PATTERN TO FUDICIAL MARKS OR PCB DATUMS SHALL BE DEFINED BY CUSTOMER. FOR RECOMMENDED PRODUCT APPLICATION AND PCB DESIGN DETAILS, SEE DOC. NO. GS-20-108.
6. PRODUCT SPECIFICATION: GS-12-558
APPLICATION SPECIFICATION: GS-20-108
- ⑦ THIS PRODUCT MEETS THE EUROPEAN UNION DIRECTIVES AND OTHER COUNTRY REGULATIONS AS DESCRIBED IN GS-22-008. PRODUCT MEETING WITH THIS DIRECTIVE IS IDENTIFIED IN THE LOT CODE NUMBER MARKED ON EACH PART BY HAVING AN "X" IN THE SEVENTH CHARACTER POSITION.
8. THE HOUSING WILL WITHSTAND EXPOSURE TO 260°C PEAK TEMPERATURE FOR 40 SECONDS IN A CONVECTION, INFRA-RED OR VAPOR PHASE REFLOW OVEN.
- ⑨ POSITIONS "A" THRU "K" AND POSTITIONS "L" THRU "V" ARE TO BE COMMONED TOGETHER FOR POWER CONTACTS LOCATED IN ROWS 21 THRU 30.



FLAT AREA PICK-UP CAP
SCALE 4:1

IMLA LOADING TABLE

ROW NUMBER	1	2	3	4	5	6	7	8	9	10	11	12	13	14	15	16	17	18	19	20	21	22	23	24	25	26	27	28	29	30
IMLA TYPE	S	S	S	S	S	S	S	S	S	S	S	S	S	S	S	S	S	S	S	P	P	P	P	P	P	P	P	P	P	P

IMLA TYPES:
S = SIGNAL IMLA
P = POWER IMLA

spec ref	dr	2009/04/15	projection	MM	size	A2	scale	4:1	
tolerance std	eng	2011/07/11			ecn no	-	rel level	Released	
ASME Y14.5	chr	-							
surface <input checked="" type="checkbox"/> linear <input type="checkbox"/> angular	app	2011/07/12	product family	TwinMezz	rel level	Released			
			title	TwinMezz		dwg no	10100076-91930P	rev	A
	www.fci.com		cat. no.	-		Product - Customer Drw	sheet 4 of 4		