

NOTES:

1. MATERIALS AND FINISHES:

- FERRULE - COPPER, GOLD PLATING
- RETAINER RING - SUS 304, NATURAL
- GASKET - SILICONE RUBBER, RED
- BODY - BRASS, GOLD PLATING
- CONTACT - BRASS, GOLD PLATING
- INSULATOR - PTFE, NATURAL

2. ELECTRICAL:

- A. IMPEDANCE: 50 OHM, NOMINAL
- B. FREQUENCY RANGE: 0-6 GHz
- D. D.W.V: 1000 VRMS, MIN.

3. MECHANICAL:

- A. DURABILITY: 500 CYCLES MIN.
- B. TEMPERATURE RANGE: -65°C TO +165°C

4. CRIMPED FERRULE HEX CRIMP SIZE .213"

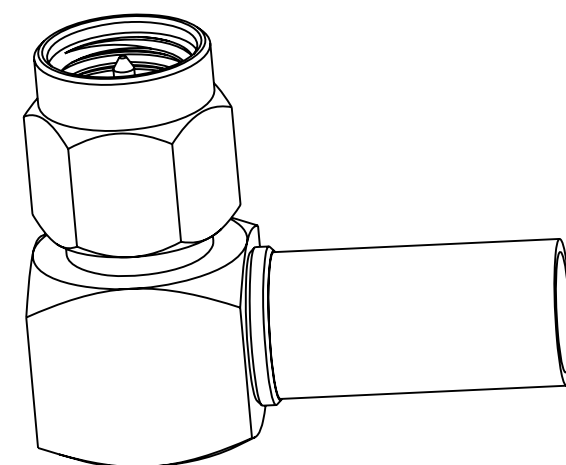
5. CONTACT PIN TO SOLDER

6. SHOWS CABLE ENTRY DIMENSIONS.

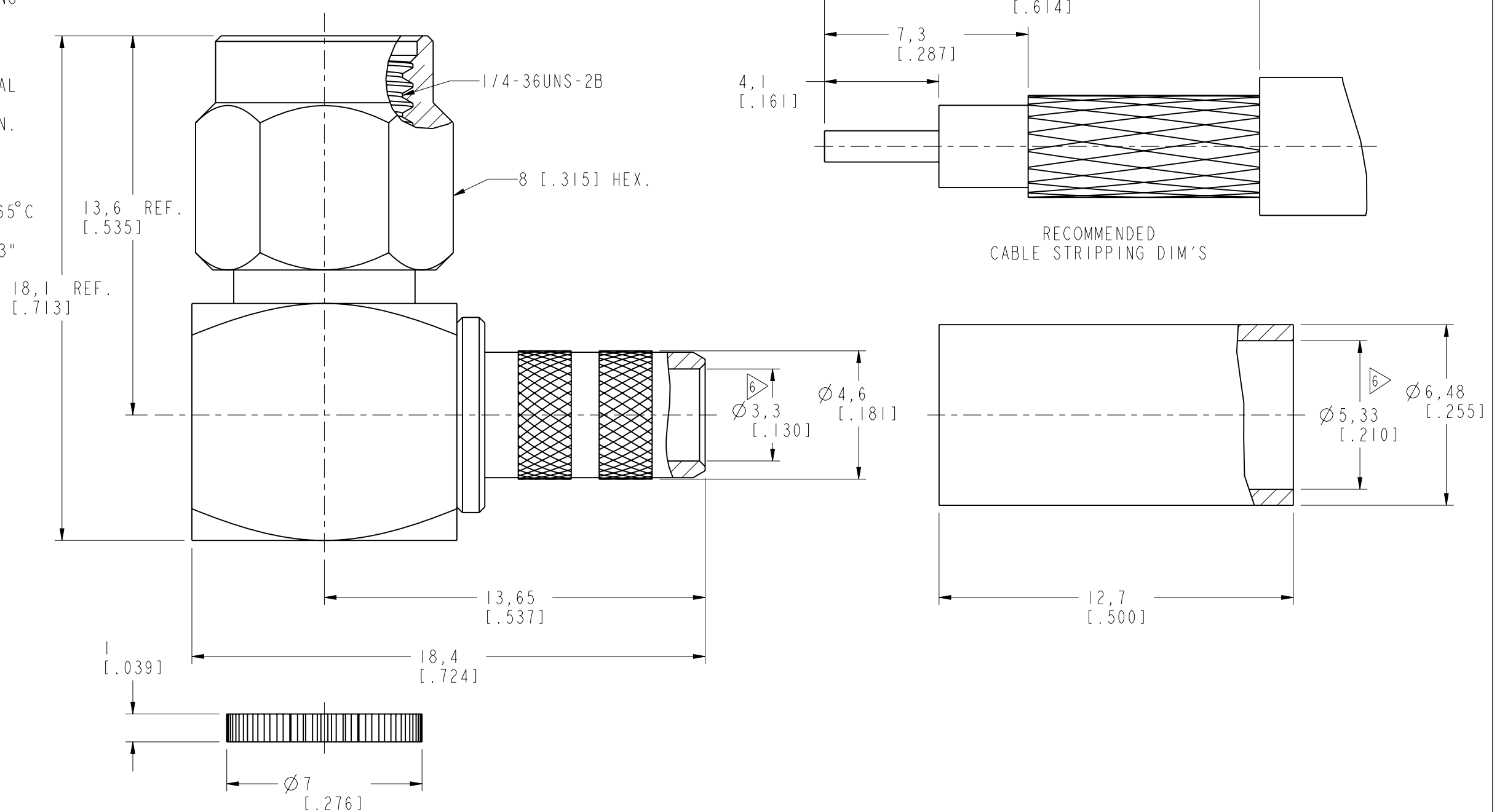
THIRD ANGLE PROJ.

REVISIONS

REV	DESCRIPTION	DATE	ECO	APPR
NC	INITIAL RELEASE	11-Aug-98	-----	GRS
A	UPDATE DRAWING FORMAT	21-Jul-05	-----	GRS
D	SYNC, REDRAWN IN THE PRO/E\N/A	16-Jun-16	01063	SH



SCALE 3.000



CUSTOMER OUTLINE DRAWING
ALL OTHER SHEETS ARE FOR INTERNAL USE ONLY

<p>UNLESS OTHERWISE SPECIFIED, DIMENSIONS ARE IN METRIC AND TOLERANCES ARE: <0.5mm ±0.05mm 0.5 - 6mm ±0.1mm 6 - 30mm ±0.2mm 30 - 120mm ±0.3mm ANGLES ±1°</p> <p>NOTICE - These drawings, specifications, or other data (1) are, and remain the property of Amphenol corp. (2) must be returned upon request; and (3) are confidential and not to be disclosed to any person other than those to whom they are given by Amphenol Corp. the furnishing of these drawings, specifications, or other data by Amphenol Corp., or to any other person to anyone for any purpose is not to be regarded by implication or otherwise in any manner licensing, granting rights to permitting such holder or any other person to manufacture, use or sell any product, process or design, patented or otherwise, that may in any way be related to or disclosed by said drawings, specifications, or other data.</p>	MATERIAL	DRAWN M. ZHANG	DATE 01-Jun-16	TITLE SMA R/A CRIMP PLUG (FOR LMR-200 CABLE)	Amphenol RF www.amphenolrf.com
	REFERENCE AND CONFIGURATION LEVEL: In Work	ENGINEER S. XIE	DATE 30-Jul-08		
	FINISH	APPROVED S. HSIEH	DATE 16-Jun-16	SCALE: 6.0:1.0 SHEET 2 OF 2	ITEM NO. 11112AAA20GA5F
			CAD FILE	DWG SIZE B REV D	PART NO. 132235