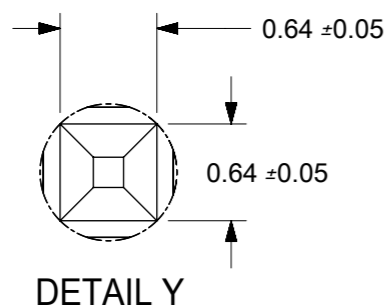
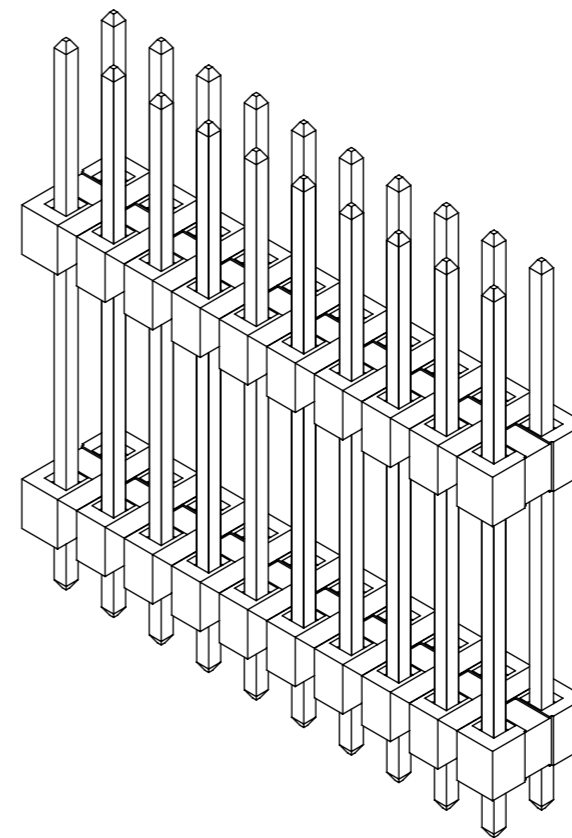
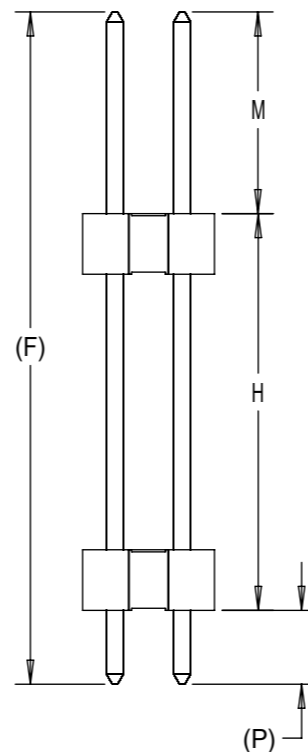
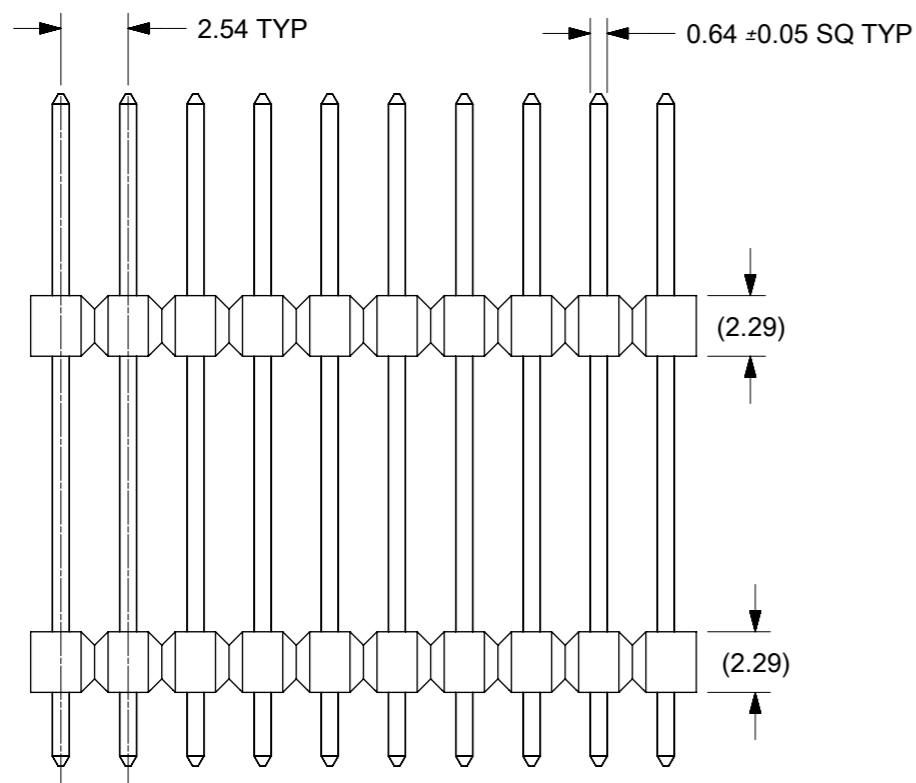


**RECOMMENDED PCB LAYOUT: COMPONENT SIDE**

- NOTES:**
- MATERIAL:**  
HOUSING: LCP, GLASS FILLED, UL94V-0  
COLOR: BLACK  
PIN: COPPER ALLOY, SQ, 0.64MM
  - PLATING FINISH:**
    - GOLD FLASH OVERALL OVER  
1.25µm MIN. NICKEL OVERALL
    - 0.05µm MIN. GOLD IN CONTACT AREA AND  
2.50µm MIN. TIN IN SOLDER AREA OVER  
1.25µm MIN. NICKEL OVERALL
    - 0.38µm MIN. GOLD IN CONTACT AREA AND  
2.50µm MIN. TIN IN SOLDER AREA OVER  
1.25µm MIN. NICKEL OVERALL
    - 0.75µm MIN. GOLD IN CONTACT AREA AND  
2.50µm MIN. TIN IN SOLDER AREA OVER  
1.25µm MIN. NICKEL OVERALL
    - 2.50µm MIN. TIN OVERALL  
1.25µm MIN. NICKEL OVERALL
  - FOR PACKING OPTION PLEASE REFER TO THE TABLE.
  - THE ABOVE 20CKTS SHOWN IS FOR ILLUSTRATION ONLY.
  - IRREGULAR CIRCUIT CUTOFF WITHIN BREAKAWAY SECTION IS PERMISSIBLE. CUTTING OR CHIPPING OF THE MAIN BODY IS NOT ACCEPTABLE
  - WAFER TO BE FLAT WITHIN 0.003mm/mm
  - PARTS ARE NOT STACKABLE ON 2.54 CENTERS
  - RECOMMENDED PCB THICKNESS 1.60±0.10mm
  - PRODUCT SPEC: PS-87920-019
  - PACKAGING SPECIFICATION:**  
TRAY: PK-89990-489  
BULK: PK-89990-491  
TUBE: PK-89990-300




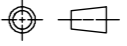
THIS DRAWING CONTAINS INFORMATION THAT IS PROPRIETARY TO MOLEX ELECTRONIC TECHNOLOGIES, LLC AND SHOULD NOT BE USED WITHOUT WRITTEN PERMISSION

ADD P/N 87797-2200 EC NO: 111883 DRWN: MRAMAKRISHNA CHK'D: REV APPR: ISHWARG	2016/12/27	GENERAL TOLERANCES (UNLESS SPECIFIED)		DIMENSION UNITS	SCALE	<b>molex®</b>		
	2017/01/30	MM	INCH	MM	NTS			
	4 PLACES	±	±	DRWN BY	DATE	CUSTOMER 2.54MM PITCH DUAL ROW HEADER, THRU HOLE, VERT		
	3 PLACES	±	±	SKLIM01	2006/03/01			
	2 PLACES	± 0.2	±	CHK'D BY	DATE	PRODUCT CUSTOMER DRAWING		
1 PLACES	±	±	PATEY	2006/03/03				
0 PLACES	±	±	APPR BY	DATE	SERIES: 87797 MATERIAL NUMBER: SEE TABLE CUSTOMER: GENERAL MARKET			
ANGULAR TOL = 3.0		DRAWING SIZE		THIRD ANGLE PROJECTION				2006/03/03
DRAFT WHERE APPLICABLE MUST REMAIN WITHIN DIMENSIONS		A3				DOCUMENT NUMBER: SD-87797-171 DOC TYPE: PSD DOC PART: 000 SHEET NUMBER: 1 OF 3		

RELEASE STATUS	RELEASE DATE
----------------	--------------

CKT SIZE	DIMENSION		PART NO FOR TUBE PACKAGING	PART NO FOR TRAY PACKAGING	PART NO FOR BULK PACKAGING	CKT SIZE	PEG OPTION	VOID POSITION	PLATING TYPE	DIMENSION			
	A	B								F	MATING END	STACKER HEIGHT	SOLDER TAIL
04	5.08	2.54	-	87797-0401	-	4	NO	-	5	18.56	3.78	11.00	3.78
06	7.62	5.08	-	87797-0600	-	6	NO	-	4	26.80	4.00	20.00	2.80
08	10.16	7.62	-	87797-0601	-	6	NO	-	5	11.00	3.00	5.00	3.00
10	12.70	10.16	-	87797-0602	-	6	NO	-	4	33.60	5.00	25.60	3.00
12	15.24	12.70	-	87797-0603	-	6	NO	-	5	33.60	5.00	25.60	3.00
14	17.78	15.24	-	87797-0604	-	6	NO	-	4	35.70	7.90	25.00	2.80
16	20.32	17.78	-	87797-0605	-	6	NO	-	2	22.50	6.00	13.00	3.50
18	22.86	20.32	-	87797-0607	-	6	NO	-	3	27.80	10.70	13.80	3.30
20	25.40	22.86	-	87797-0608	-	6	NO	-	2	27.80	10.70	13.80	3.30
22	27.94	25.40	87797-0610	-	-	6	NO	-	5	41.00	20.00	14.00	7.00
24	30.48	27.94	-	87797-0800	-	8	NO	-	5	18.54	3.05	12.70	2.79
26	33.02	30.48	-	-	87797-0801	8	NO	-	3	19.30	7.20	9.30	2.80
28	35.56	33.02	-	87797-1001	-	10	NO	-	5	32.14	10.80	19.05	2.29
30	38.10	35.56	-	87797-1002	-	10	NO	-	2	18.54	8.13	7.62	2.79
32	40.64	38.10	-	87797-1200	-	12	NO	-	4	19.30	9.04	8.00	2.26
34	43.18	40.64	-	87797-1206	-	12	NO	-	2	16.00	5.84	7.62	2.54
36	45.72	43.18	-	87797-1209	-	12	NO	-	3	15.75	7.80	4.75	3.20
38	48.26	45.72	-	87797-1400	-	14	NO	-	4	20.96	9.91	8.00	3.05
40	50.80	48.26	-	87797-1401	-	14	NO	-	5	13.00	4.00	5.00	4.00
42	53.34	50.80	-	87797-0032	-	14	NO	-	5	40.00	3.00	34.00	3.00
44	55.88	53.34	-	87797-1600	-	16	NO	-	3	22.70	6.60	13.10	3.00
46	58.42	55.88	-	87797-1603	-	16	NO	-	5	28.00	7.00	18.00	3.00
48	60.96	58.42	-	87797-1800	-	18	NO	11 & 12	1	28.00	12.21	9.35	6.44
50	63.50	60.96	-	87797-0020	-	20	NO	-	5	21.30	3.10	15.10	3.10
52	66.04	63.50	-	87797-0200	-	20	NO	-	3	36.32	5.18	25.98	5.16
54	68.58	66.04	-	87797-0201	-	20	NO	-	5	20.68	2.79	15.10	2.79
56	71.12	68.58	-	87797-2000	-	20	NO	-	4	31.00	8.50	14.00	8.50
58	73.66	71.12	-	87797-2002	-	20	NO	-	4	33.60	5.00	25.60	3.00
60	76.20	73.66	-	87797-2003	-	20	NO	-	5	33.60	5.00	25.60	3.00
62	78.74	76.20	-	87797-2004	-	20	NO	-	4	33.40	5.00	25.60	2.80
64	81.28	78.74	-	87797-2035	-	20	NO	-	5	31.37	8.00	19.94	3.43
66	83.82	81.28	87797-2200	-	-	22	NO	-	3	21.10	7.40	10.70	3.00
68	86.36	83.82	87797-2400	87797-2401	-	24	NO	-	5	14.35	3.35	7.65	3.35
70	88.90	86.36											
72	91.44	88.90											
74	93.98	91.44											
76	96.52	93.98											
78	99.06	96.52											
80	101.60	99.06											

THIS DRAWING CONTAINS INFORMATION THAT IS PROPRIETARY TO MOLEX ELECTRONIC TECHNOLOGIES, LLC AND SHOULD NOT BE USED WITHOUT WRITTEN PERMISSION


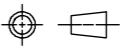
ADD P/N 87797-2200 EC NO: 111883 DRWN: MRAMAKRISHNA CHK'D: ISHWARG REV APPR: 2017/01/30	GENERAL TOLERANCES (UNLESS SPECIFIED)		DIMENSION UNITS		SCALE					
	MM	INCH	MM	INCH	MM	NTS				
	4 PLACES ±	±	DRWN BY		DATE		CUSTOM HEADER 2.54MM PITCH DUAL ROW HEADER, THRU HOLE, VERT			
	3 PLACES ±	±	SKLIM01		2006/03/01					
	2 PLACES ± 0.2	±	CHK'D BY		DATE					
1 PLACES ±	±	PATEY		2006/03/03		PRODUCT CUSTOMER DRAWING				
0 PLACES ±	±	APP'R BY		DATE						
ANGULAR TOL = 3.0		DRAWING SIZE		THIRD ANGLE PROJECTION		SERIES	MATERIAL NUMBER	CUSTOMER		
DRAFT WHERE APPLICABLE MUST REMAIN WITHIN DIMENSIONS		A3				87797	SEE TABLE	GENERAL MARKET		
						DOCUMENT NUMBER		DOC TYPE	DOC PART	SHEET NUMBER
						SD-87797-171		PSD	000	2 OF 3

RELEASE STATUS	RELEASE DATE
----------------	--------------

9 8 7 6 5 4 3 2 1

PART NO FOR TUBE PACKAGING	PART NO FOR TRAY PACKAGING	PART NO FOR BULK PACKAGING	CKT SIZE	PEG OPTION	VOID POSITION	PLATING TYPE	DIMENSION			
							F	MATING END	STACKER HEIGHT	SOLDER TAIL
								M	H	P
-	87797-2600	-	26	NO	-	3	19.30	7.25	9.00	3.05
-	87797-2801	-	28	NO	-	5	22.80	7.40	12.10	3.30
-	87797-2802	-	28	NO	-	5	34.40	7.40	23.70	3.30
-	87797-3024	-	30	NO	-	4	23.62	9.40	11.43	2.79
87797-3200	-	-	32	NO	-	3	23.46	7.00	13.50	2.96
-	87797-0400	-	40	NO	-	3	25.40	9.91	12.70	2.79
-	-	87797-0500	50	NO	-	3	18.55	6.48	9.40	2.67
-	87797-6000	-	60	NO	-	3	18.05	7.00	8.00	3.05
87797-6001	-	-	60	NO	-	3	23.46	7.00	13.50	2.96
-	-	87797-6400	64	NO	-	3	23.62	5.59	15.24	2.79
-	87797-7213	-	72	NO	-	3	14.35	6.22	5.08	3.05
-	87797-8025	-	80	NO	-	5	22.73	8.10	11.43	3.20

THIS DRAWING CONTAINS INFORMATION THAT IS PROPRIETARY TO MOLEX ELECTRONIC TECHNOLOGIES, LLC AND SHOULD NOT BE USED WITHOUT WRITTEN PERMISSION

ADD P/N 87797-2200 EC NO: 111883 DRWN: MRAMAKRISHNA CHKD: ISHWARG 2016/12/27 2017/01/30	GENERAL TOLERANCES (UNLESS SPECIFIED)		DIMENSION UNITS		SCALE						
			MM	INCH	MM	NTS					
	4 PLACES ±		±	±	DRWN BY	DATE		CUSTOM HEADER 2.54MM PITCH DUAL ROW HEADER, THRU HOLE, VERT			
	3 PLACES ±		±	±	SKLIM01	2006/03/01					
	2 PLACES ± 0.2		±	±	CHK'D BY	DATE					
	1 PLACES ±		±	±	PATEY	2006/03/03		PRODUCT CUSTOMER DRAWING			
0 PLACES ±		±	±	APPR BY	DATE						
ANGULAR TOL = 3.0				PATEY	2006/03/03		SERIES	MATERIAL NUMBER	CUSTOMER		
DRAFT WHERE APPLICABLE MUST REMAIN WITHIN DIMENSIONS				DRAWING SIZE	THIRD ANGLE PROJECTION		87797	SEE TABLE	GENERAL MARKET		
C6	REV			A3			DOCUMENT NUMBER	DOC TYPE	DOC PART	SHEET NUMBER	
							SD-87797-171	PSD	000	3 OF 3	

RELEASE STATUS	RELEASE DATE
----------------	--------------

9 8 7 6 5 4 3 2 1

FORMA: Met-lega-master-ib-prod-A3  
 REVISION: C  
 DATE: 2016/02/04