

Operating Temperature Range

-25° to 70° C, relative humidity of 85% or less

Materials

1. Tip contact: C5191, 40µ" Ni plated, 1 µ" Au plated
2. Ring contact: C5191, 40µ" Ni plated, 1 µ" Au plated
3. Ring contact: C5191, 40µ" Ni plated, 1 µ" Au plated
4. Sleeve contact: C5191, 40µ" Ni plated, 1 µ" Au plated
5. Shell: C2700 brass, 1 µm nickel plated
6. Top head: C3603 brass, 1 µm nickel plated
7. Insulator: PBT (UL94-HB), black

Electrical Requirements

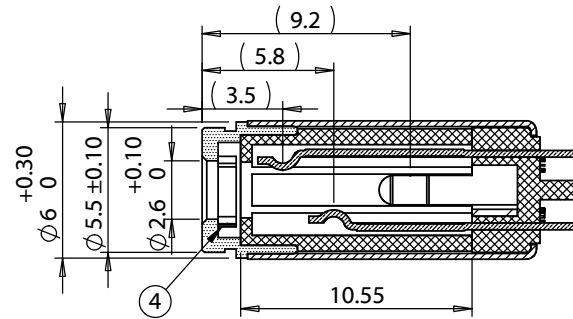
Dielectric strength: 1 min @ 200 Vac
 Insulation resistance: 50 MΩ @ 100 Vdc
 Contact resistance: 100 mΩ or less

Mechanical Requirements

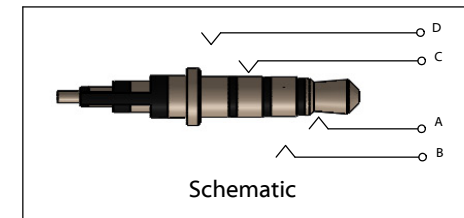
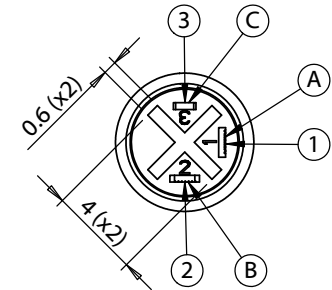
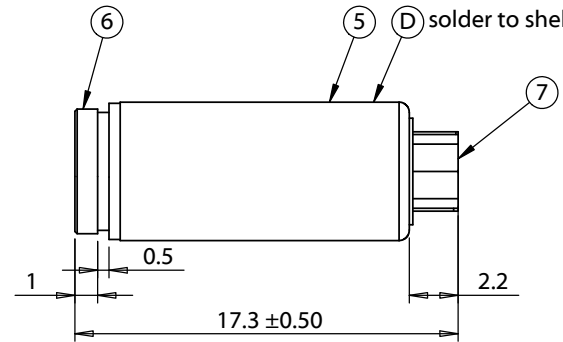
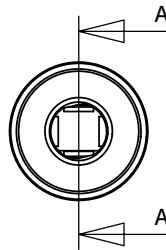
Insertion force: 0.4-4 kgf
 Withdrawal force: 0.4-4 kgf
 Life cycle: 5000 mating cycles while maintaining 0.3 kgf min. insertion force, 0.3 kgf min. withdrawal force and less than 100 mΩ contact resistance.

Environmental Requirements

Heat test: 70 °C, relative humidity 70-85% for 96 hours without deformation
 Humidity test: 40 °C, relative humidity 90-100% for 96 hours without deformation
 Salt spray test: 35±2 °C, relative humidity 90-95%, 5% NaCl mist for 24 hrs. Wash parts after test. Maintain mechanical requirements and a contact resistance of less than 100 mΩ.



SECTION A-A
 SCALE 3 : 1



Revision:	Date:	Description:
A	9/4/2009	Initial release
A1	6/27/2016	Modified overall dimensions
A2	10/13/2016	Corrected dimensioning

Prepared:	Verified:	Dimensions are in millimeters. Tolerances: X: ± 0.5 mm X.X: ± 0.3 mm X.XX: ± 0.05 mm
Notes:		

Notes:	RoHS and REACH compliant
Function test:	no open, no short circuit, no intermittent
Description:	Connector, 4C audio jack, 2.5x6.0xL17.3 mm, brass, nickel plated, molding style

TENSILITY

tel 1.541.323.3228 800 877.670.7118
 fax 1.541.323.4202 web tensility.com

Size:	Part number:
A	50-00040
Scale: 5:1	Sheet 1 of 1