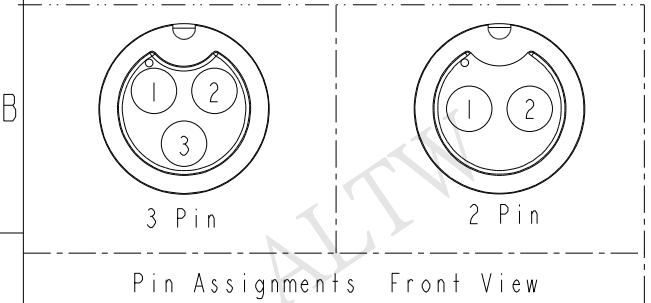
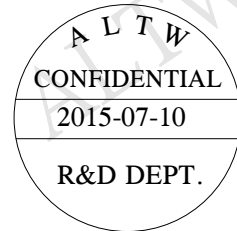
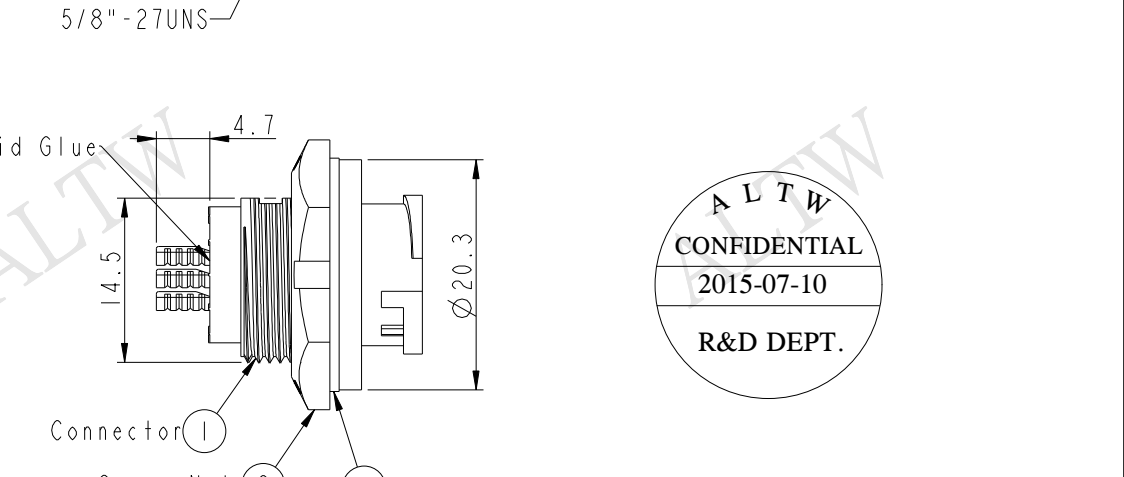
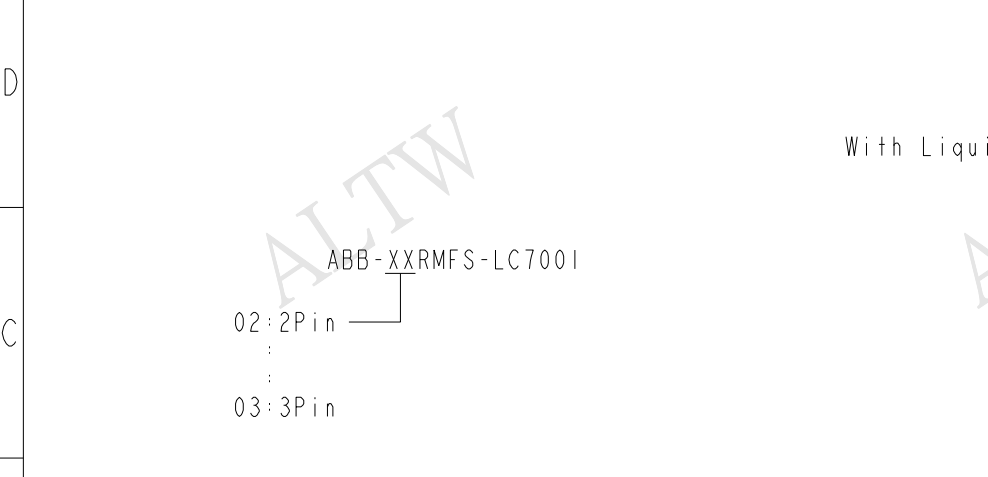
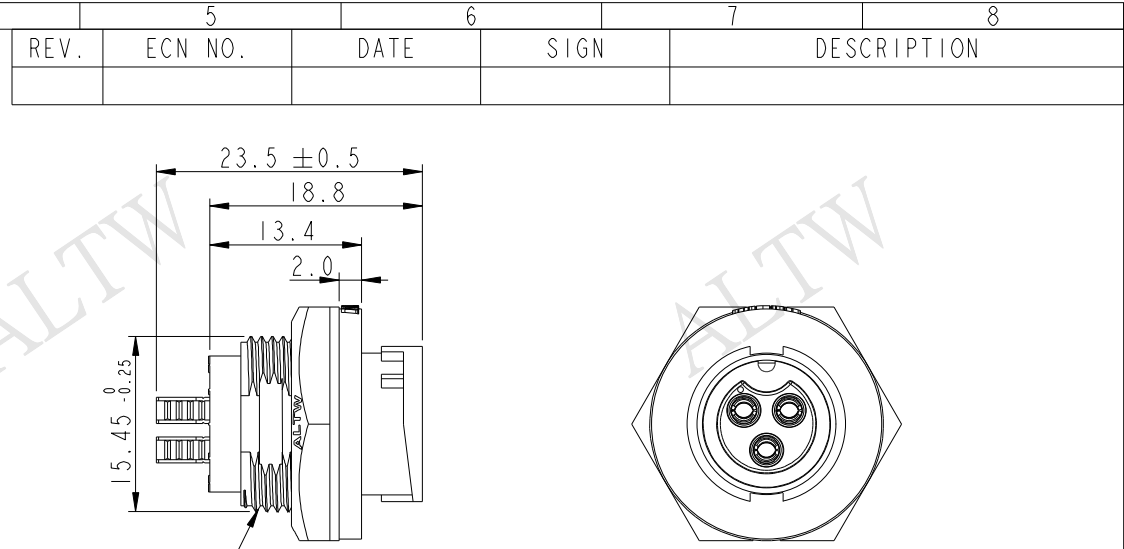
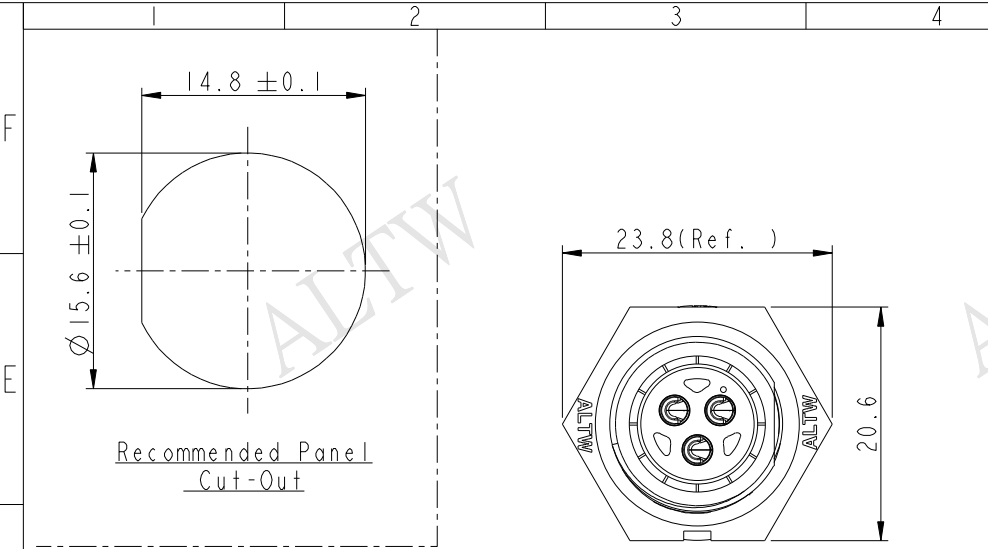


REV.	ECN NO.	DATE	SIGN	DESCRIPTION



Note:

- * Ⓞ Important Dimension To Check.
- * Waterproof Rate: IP67
- * Housing: Nylon+GF, Black
- * Female Pin: Copper Alloy, Gold Plated
- * Gasket: Silicone, Gray
- * Screw Nut: Nylon+GF, Black
- * Maximum Panel Thickness: 3.5mm

UNIT: mm		TITLE	STANDARD PANEL LOCK M CONN F PIN		
TOLERANCE		SCALE	SIZE	SHEET	OF
.X	±0.25	2:1	A4	1	1
.XX	±0.1	REV.	WC-REV.	Ⓞ : Inspection item	
.XXX	±0.05	A	A.1		
ANGLES	±1°				

Amphenol LTW
安費諾亮泰企業股份有限公司

ITEM NO.	DRAWN BY	DATE
	Howard.Z	2015-07-10
DWG NO.	CHECKED BY	DATE
ABB-XXRMFS-LC7001	Jinhai	2015-07-10
CUSTOMER	APPROVED BY	DATE
ALTW	Jerry	2015-07-10

THIS DOCUMENT IS SUBJECT TO CHANGE WITHOUT NOTICE. IT IS CONFIDENTIAL AND A PROPERTY OF Amphenol LTW. DISCLOSURE TO THIRD PARTY HAS TO BE AUTHORIZED BY Amphenol LTW.