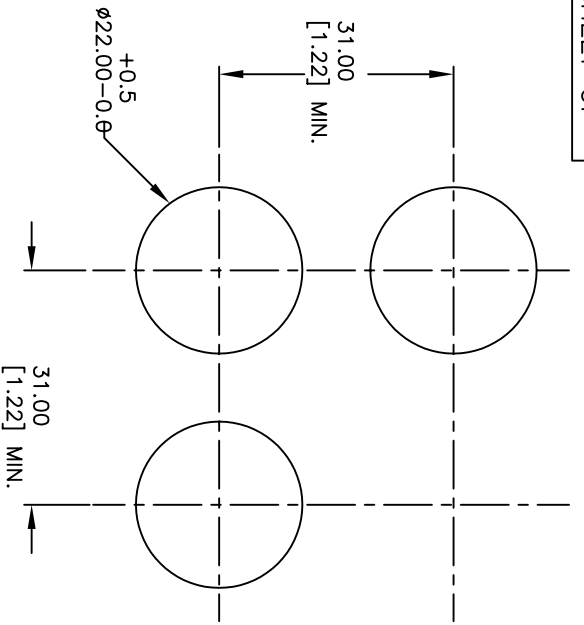


PARTS LIST		
Item	Qty.	Dwg. No. Part No.
1	1	F051701 29mm RING FOR LA SERIES
2	1	F060614 LASEU110
3	1	F060294 29mm GREEN LENS
-	1	F050402 50-004-02 (LAMP)



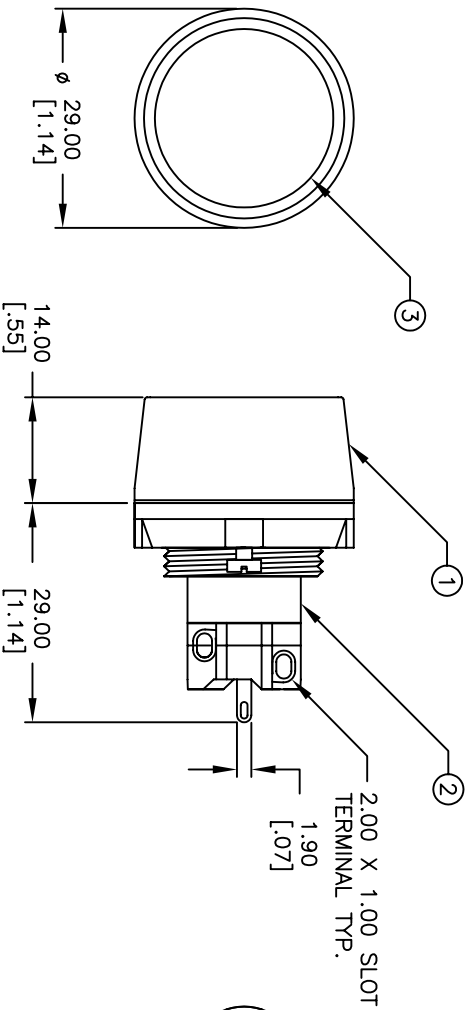
RECOMMENDED PANEL MOUNTING

1 0 1 0 2
 3 0 0 4
 a-(L)-b (+)

SPST
 CONTACT CONFIGURATION

NOTES:

1. ALL DIMENSIONS IN MM [INCH]
2. GENERAL TOLERANCE: X.X=±0.4 X.XX=±0.25
3. RATINGS: 250VAC @1A, 2A, 4A, 5A



REV.	ECN No.	DESCRIPTION	DATE	CHKD
A	11183	RELEASED FOR PRODUCTION	1/19/01	CJB

TITLE		SCALE		DATE	DR	DWG	REV
LAS EE U1 1A GRN		1:1		1/19/01	CJB	XF0303A	A



THE INFORMATION CONTAINED IN THIS DOCUMENT IS PROPRIETARY TO E-SWITCH AND IS NOT TO BE COPIED OR TRANSFERRED