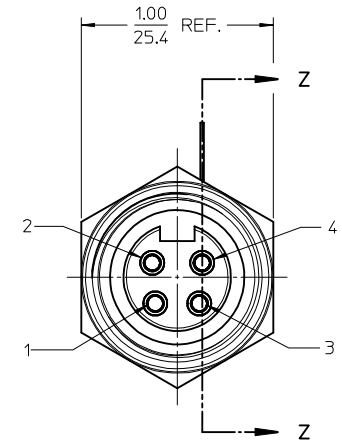
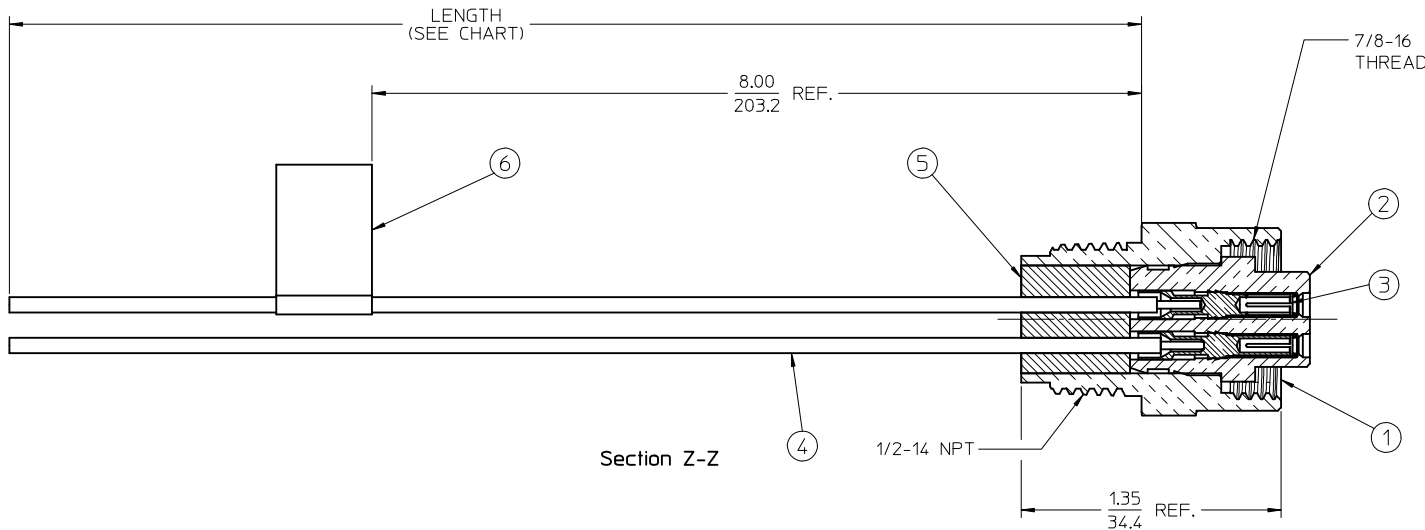
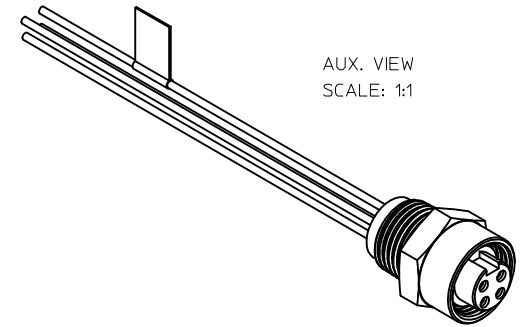


① PART NO. LEGEND

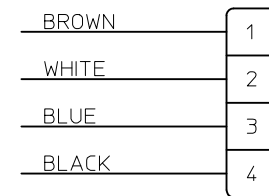
1R4000A39M005

WIRE TYPE: 16 AWG PVC

FINISHED LENGTH
M005= 0.5 METER
M010= 1 METER
M100= 10 METERS



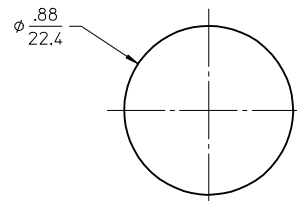
WIRE DIAGRAM



PIN-OUT PER CENELEC COLOR CODE

NOTES:

1. MATERIAL: SEE TABLE
2. FINISHES: SEE TABLE
3. MATES WITH: 4C MINI CHANGE CABLE
4. ELECTRICAL SPECIFICATIONS:
VOLTAGE RATING: 320V PER IEC 60664
600V PER UL 2238 ①
- CURRENT RATING: 10.0 AMPS
- ① 5. PROTECTION: IP67 (WHEN MATED)



KNOCKOUT HOLE

6	1	LABEL	PLASTIC FILM	BLACK/YELLOW
5	1	POTTING MATERIAL	EPOXY	
4	4	WIRE, 16 AWG	PVC INSULATION	SEE WIRE DIAGRAM
3	4	CONTACT SOCKET & SLEEVE ASSY.	Cu ALLOY/ST.STEEL	GOLD PLATED
2	1	INSERT	PVC	YELLOW
1	1	RECEPTACLE SHELL	ZINC DIE-CAST	NICKEL PLATED
ITEM	QTY.	DESCRIPTION	MATERIAL	FINISH

REV	DESCRIPTION	DATE
D	DRWRNSTONE	2016/10/18
	CHKDK COX	2016/10/27
	APPR:BMWOODMAN	2016/11/23

QUALITY SYMBOLS	GENERAL TOLERANCES (UNLESS SPECIFIED)
▽=0	mm INCH
▽=0	4 PLACES ± --- ± ---
	3 PLACES ± --- ± ---
	2 PLACES ± --- ± .01
	1 PLACE ± 0.3 ± ---
	ANGULAR ± 1/2°
	DRAFT WHERE APPLICABLE MUST REMAIN WITHIN DIMENSIONS

DRAWN BY	DATE
R.STONE	2009/08/25
CHECKED BY	DATE
B.WOODMAN	2009/08/27
APPROVED BY	DATE
JFMURPHY	2009/08/26
MATERIAL NO.	-

SCALE	DESIGN UNITS	THIRD ANGLE PROJECTION
2:1	INCH	☉
TITLE		
MINI-CHANGE, RECEPTACLE 4P, FEMALE, 16 AWG		
MOLEX INCORPORATED		
DOCUMENT NO.	SHEET NO.	
SD-130013-086	1 OF 1	
THIS DRAWING CONTAINS INFORMATION THAT IS PROPRIETARY TO MOLEX INCORPORATED AND SHOULD NOT BE USED WITHOUT WRITTEN PERMISSION		