

A

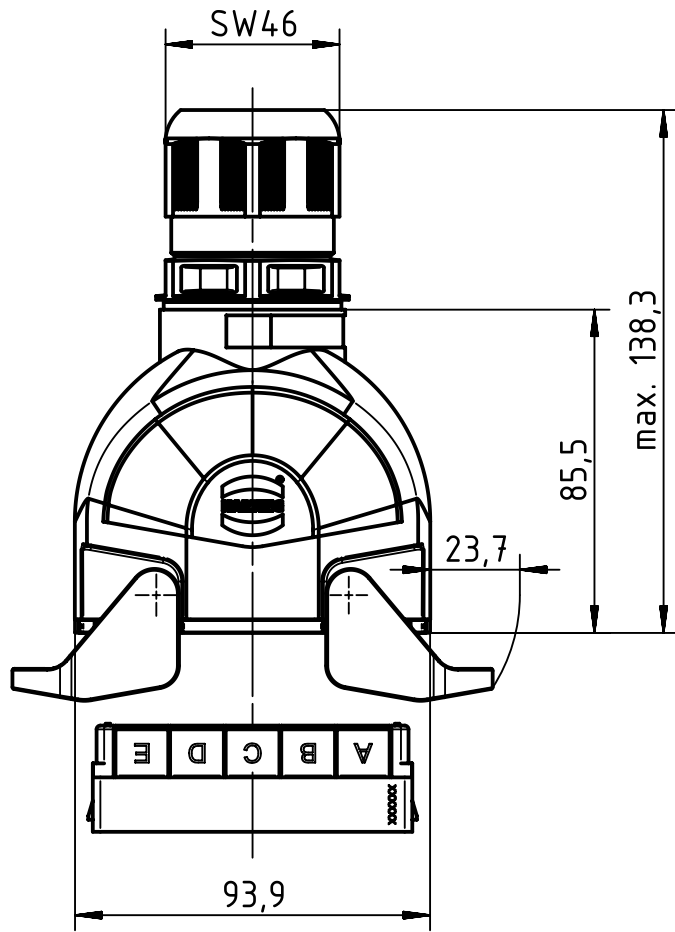
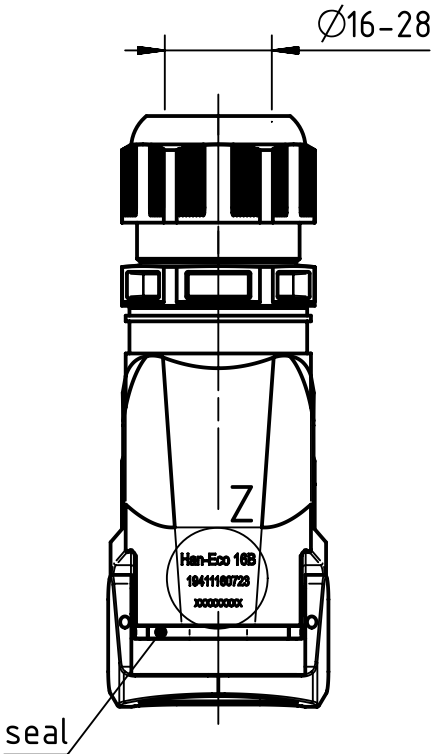
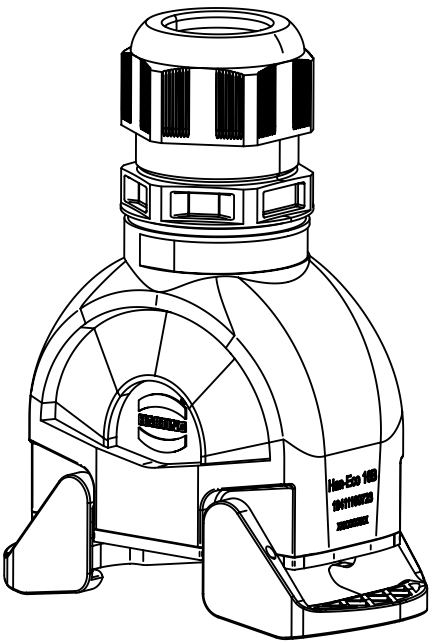
B

C

D

Z (1:1)

Han-Eco 16B  
19411160723  
xxxxxxxx



	All Dimensions in mm Original Size DIN A4		Scale 1:2	Free size tol.		Ref.
						Sub.
	All rights reserved Department EL PD - DE		Created by DICK	Inspected by HERBRECHTSME	Standardisation TIEMANNA	Date 2016-02-29
	HARTING Electric GmbH & Co. KG D-32339 Espelkamp		Title Han-Eco 16B coupler with M40 cable gland			State Final Release
			Type TB	Number 19 41 116 0723		Doc-Key / ECM-Nr. 100213365/UGD/008/A 500000096768
					Rev. A	Page 1/1