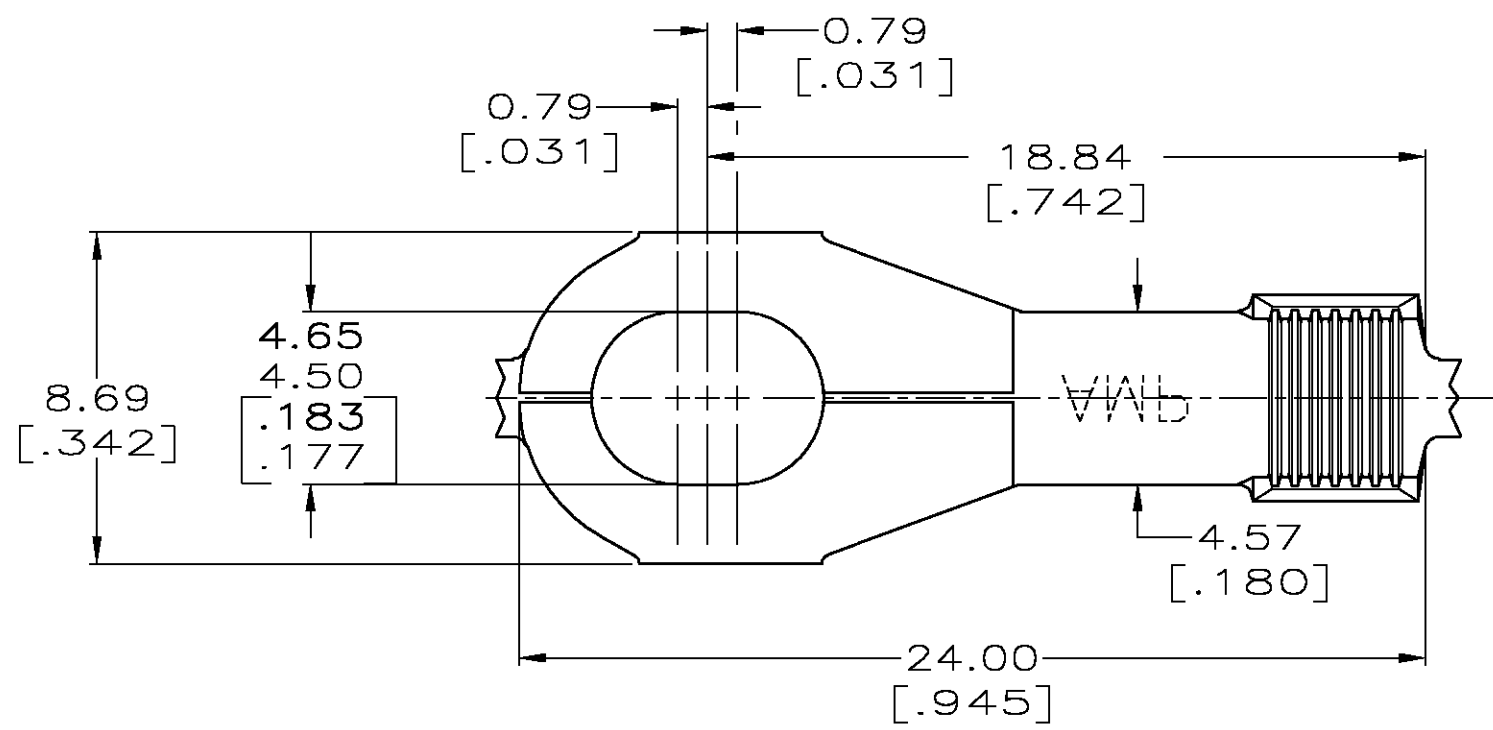
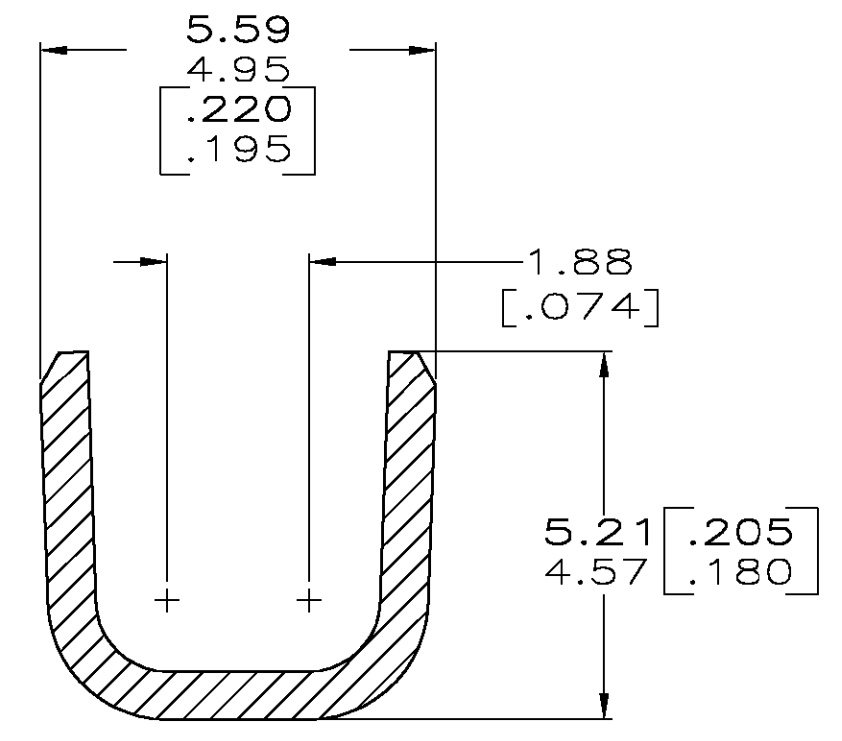
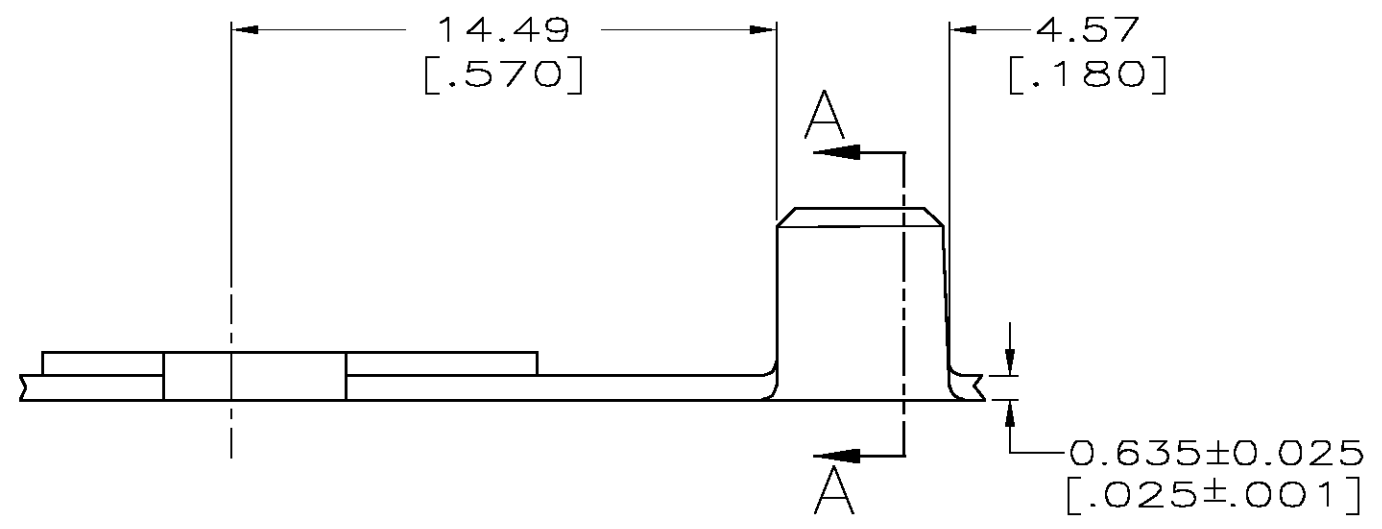


THIS DRAWING IS UNPUBLISHED. RELEASED FOR PUBLICATION  
 © COPYRIGHT BY TYCO ELECTRONICS CORPORATION. ALL RIGHTS RESERVED.

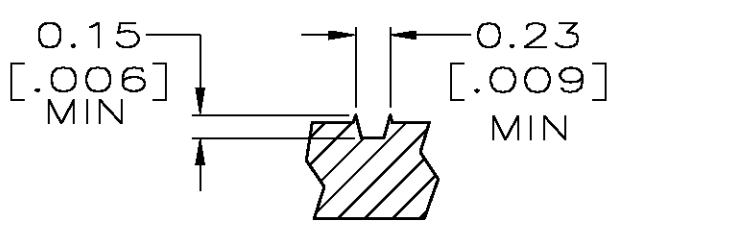
LOC	DIST	REVISIONS					
		P	LTR	DESCRIPTION	DATE	DWN	APVD
AF	50		E	REDRAWN PER 0G1A-0117-99	14APR1999	PF	JD



- 1 CONTINUOUS STRIP ON REEL.
- 2 SERRATION DETAIL APPLIES ONLY AT STRAIGHT PORTION ON SIDE OF BARREL.



SECTION A-A  
SCALE 10:1



SERRATION DETAIL  
SCALE 20:1

14-12 AWG OR (2) 15 AWG	62755-1
WIRE RANGE	PART NUMBER

THIS DRAWING IS A CONTROLLED DOCUMENT.		DWN 14APR1999 PHILLIP M FORTNEY	Tyco Electronics Corporation Harrisburg, PA 17105-3608	
DIMENSIONS: MM		CHK 14APR1999 JEFF R RUTH	NAME RING,AMPLIVAR	
TOLERANCES UNLESS OTHERWISE SPECIFIED:		APVD 14APR1999 JEREMY DUNCAN	PRODUCT SPEC	
0 PLC ± -		APPLICATION SPEC		
1 PLC ± -		SIZE		
2 PLC ± 0.25[.010]		CAGE CODE		
3 PLC ± -		DRAWING NO		
4 PLC ± -		RESTRICTED TO		
ANGLES ± -		A3 00779 C-62755		
MATERIAL 082 BRASS		WEIGHT		
FINISH		CUSTOMER DRAWING		
		SCALE 5:1		SHEET 1 OF 1
				REV E