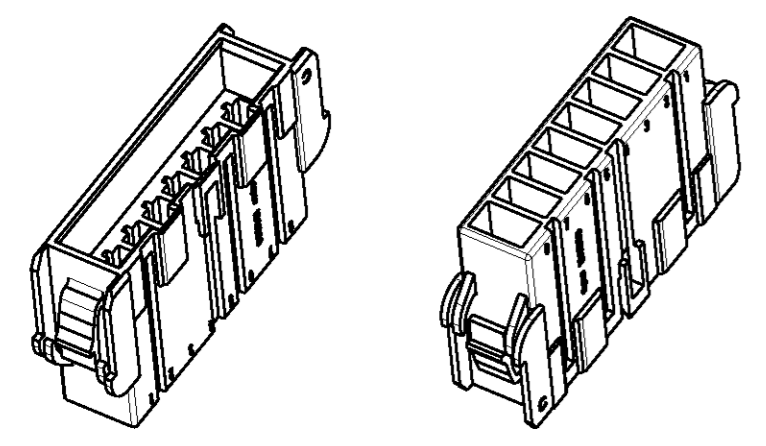
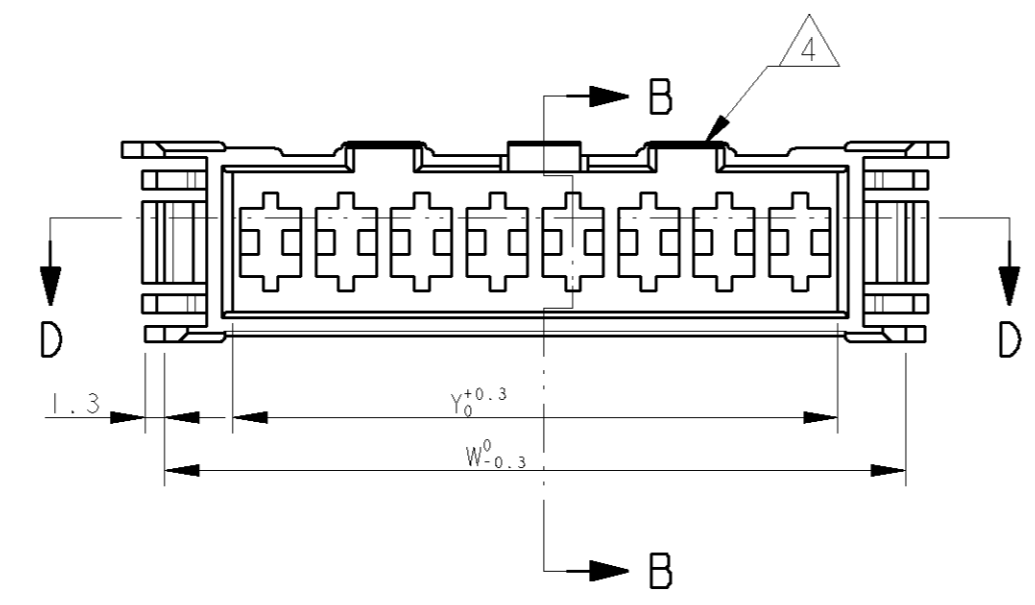


THIS DRAWING IS UNPUBLISHED. RELEASED FOR PUBLICATION 2003
 © COPYRIGHT 2003 BY TYCO ELECTRONICS CORPORATION. ALL RIGHTS RESERVED.

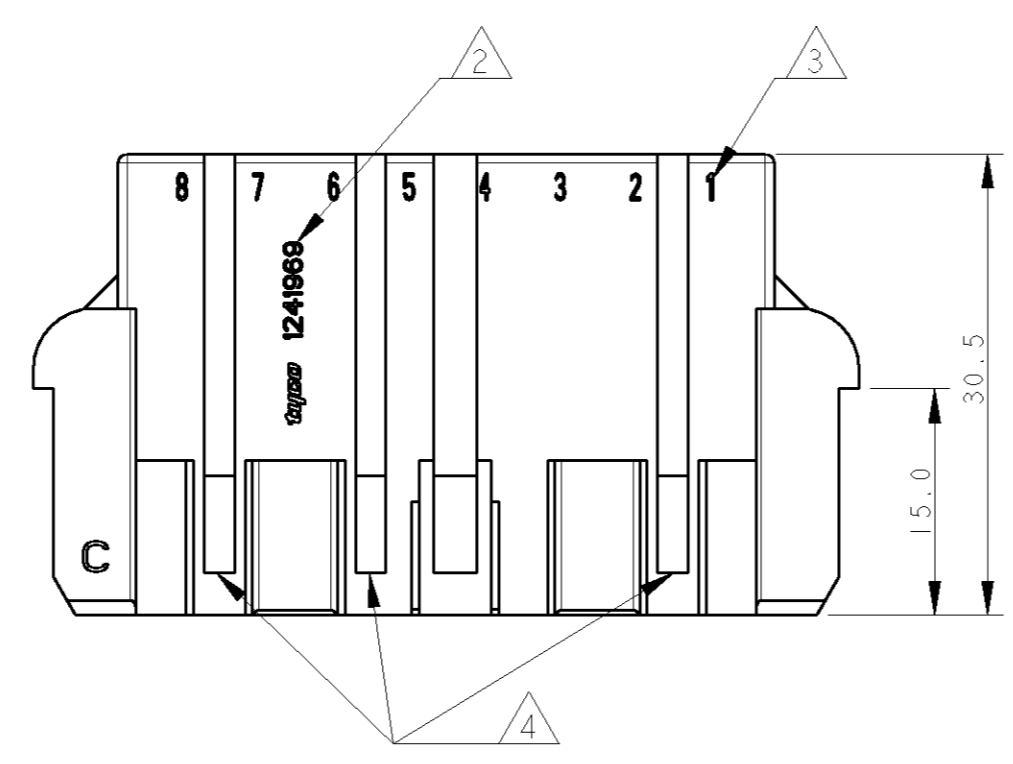
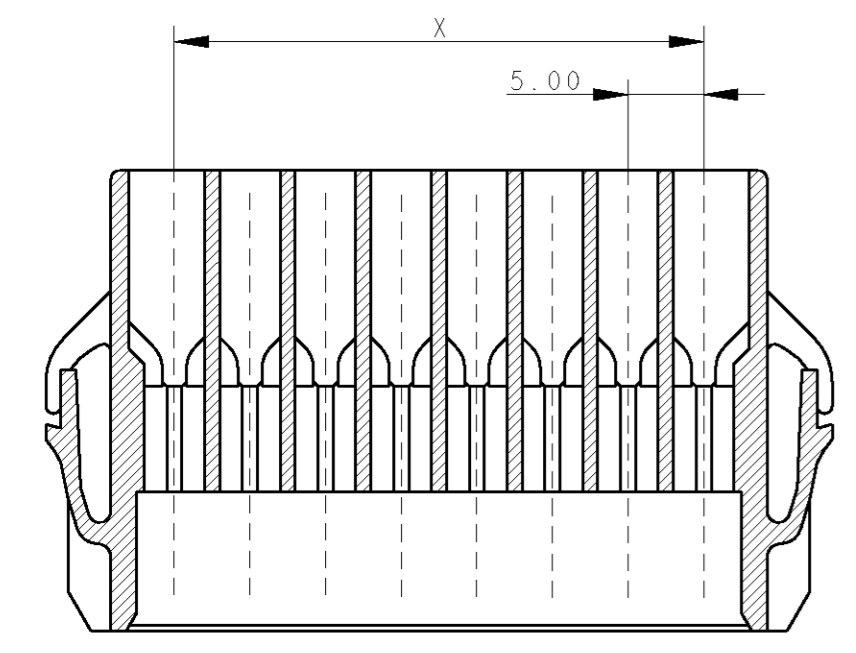
REVISIONS						
LOC	DIST	P	LTR	DESCRIPTION	DATE	APVD
		C		REDRAWN, ECR-05-009400.	-	HY GT



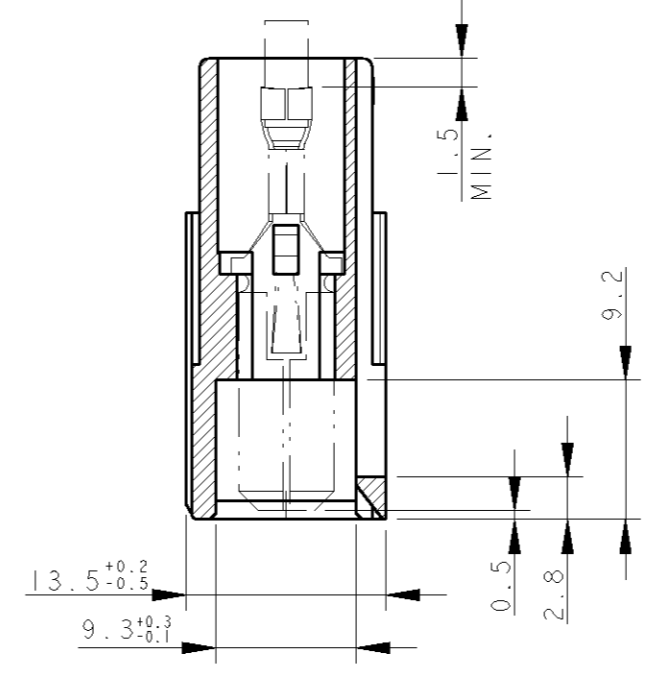
SCALE 1:1



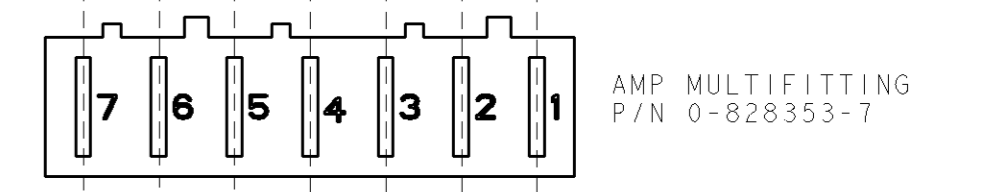
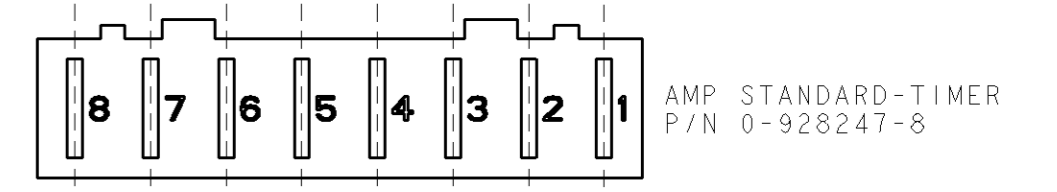
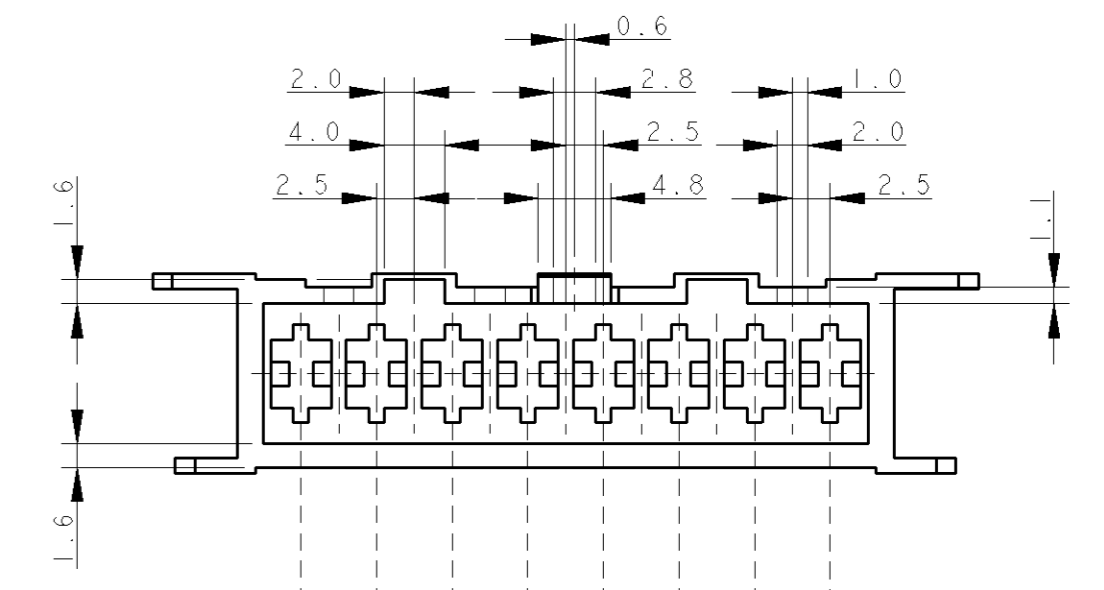
SECTION D-D



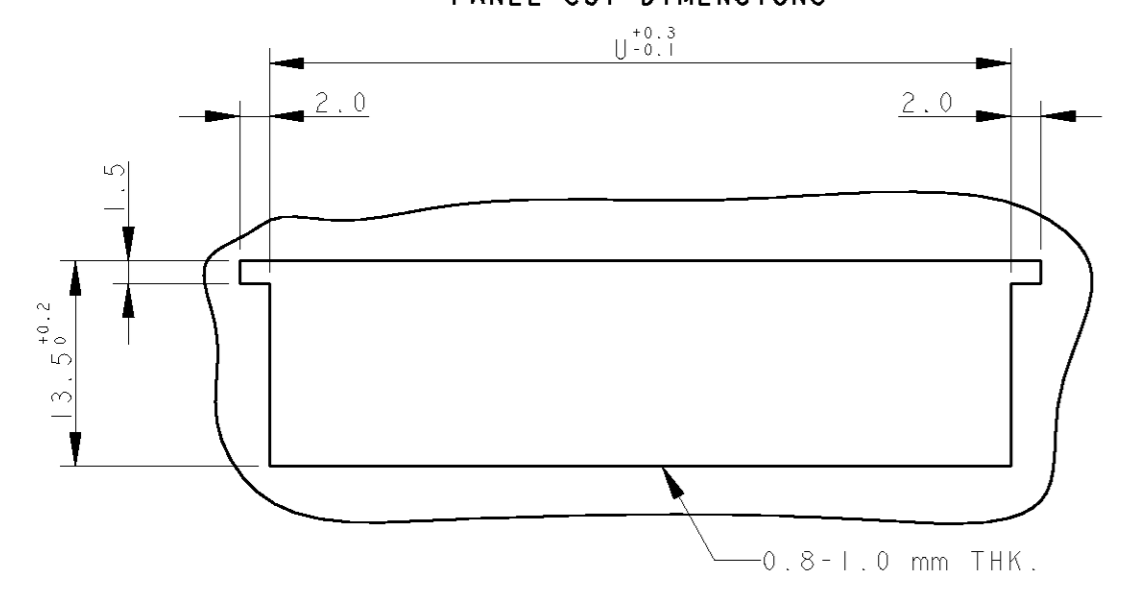
SECTION B-B



POLARIZATION KEYS SCHEME



PANEL CUT DIMENSIONS



- 1 TYPICAL CAVITY SUITABLE FOR:
FASTIN-FASTON TAB CONTACTS 6.3 mm SRS:
P/N: 60294, 0.3-0.8 mm² WIRE RANGE
160691, 0.3-0.8 mm² WIRE RANGE
AMPLIVAR CONTACTS:
P/N: 141051, 0.1-0.5 mm² WIRE RANGE
142411, 0.3-1.6 mm² WIRE RANGE
MAX. INSULATION DIA. 2.8 mm.
MAX. INSULATION CRIMP WIDTH 3.3 mm.
- 2 TYCO TRADEMARK "LOGO" AND
TYCO ELECTRONICS "PART NUMBER"
OPTIONAL POSITION.
- 3 CIRCUIT IDENTIFICATION NUMBERS.
- 4 POLARIZATION KEYS DIMENSIONS AND POSITIONS
ARE ACCORDING TO "RAST 5" NORM
- 5 PA UNFILLED, UL 94-V2,
ACCORDING TO IEC 60335-1 NORM.
- 6 PA UNFILLED, UL 94-V2

POS.	U	W	X	Y	P/N	MATERIAL	COLOUR	REV.
12	69.0	69.0	55.0	60.0	-	-	-	-
11	64.0	64.0	50.0	55.0	-	-	-	-
10	59.0	59.0	45.0	50.0	-	-	-	-
9	54.0	54.0	40.0	45.0	-	-	-	-
8	49.0	49.0	35.0	40.0	5-1241969-8	SEE NOTE 5	NATUR	C
8	49.0	49.0	35.0	40.0	0-1241969-8	SEE NOTE 6	NATUR	C
6	39.0	39.0	25.0	30.0	-	-	-	-
5	34.0	34.0	20.0	25.2	-	-	-	-
4	29.0	29.0	15.0	20.2	-	-	-	-
3	24.0	24.0	10.0	15.2	-	-	-	-
2	19.0	19.0	5.0	10.2	-	-	-	-

PARTS LIST

THIS DRAWING IS A CONTROLLED DOCUMENT FOR TYCO ELECTRONICS CORPORATION
 IT IS SUBJECT TO CHANGE AND THE CONTROLLING ENGINEERING ORGANIZATION
 SHOULD BE CONTACTED FOR THE LATEST REVISION.

DWN H. Yaqili 18AUG2005
 CHK G. Turco
 APVD -

tyco Electronics tyco Electronics AMP Italia S.p.A.
 C.so F.lli Cervi,15 COLLEGNO (TO)

NAME 2-12 POS. FASTIN-FASTON* Connectors
 TAB HOUSING, RAST 5
 PANEL MOUNT VERSION

SIZE A2 CAGE CODE 00779 DRAWING NO. 1241969 RESTRICTED TO -

MATERIAL SEE TABLE DIMENSIONS: mm TOLERANCES UNLESS OTHERWISE SPECIFIED:
 0 PLC ±
 1 PLC ±0.2
 2 PLC ±
 3 PLC ±
 4 PLC ±
 ANGLES ±°
 FINISH

PRODUCT SPEC -
 APPLICATION SPEC -
 WEIGHT -
 CUSTOMER DRAWING

SCALE 1:2 SHEET 1 OF 1 REV C