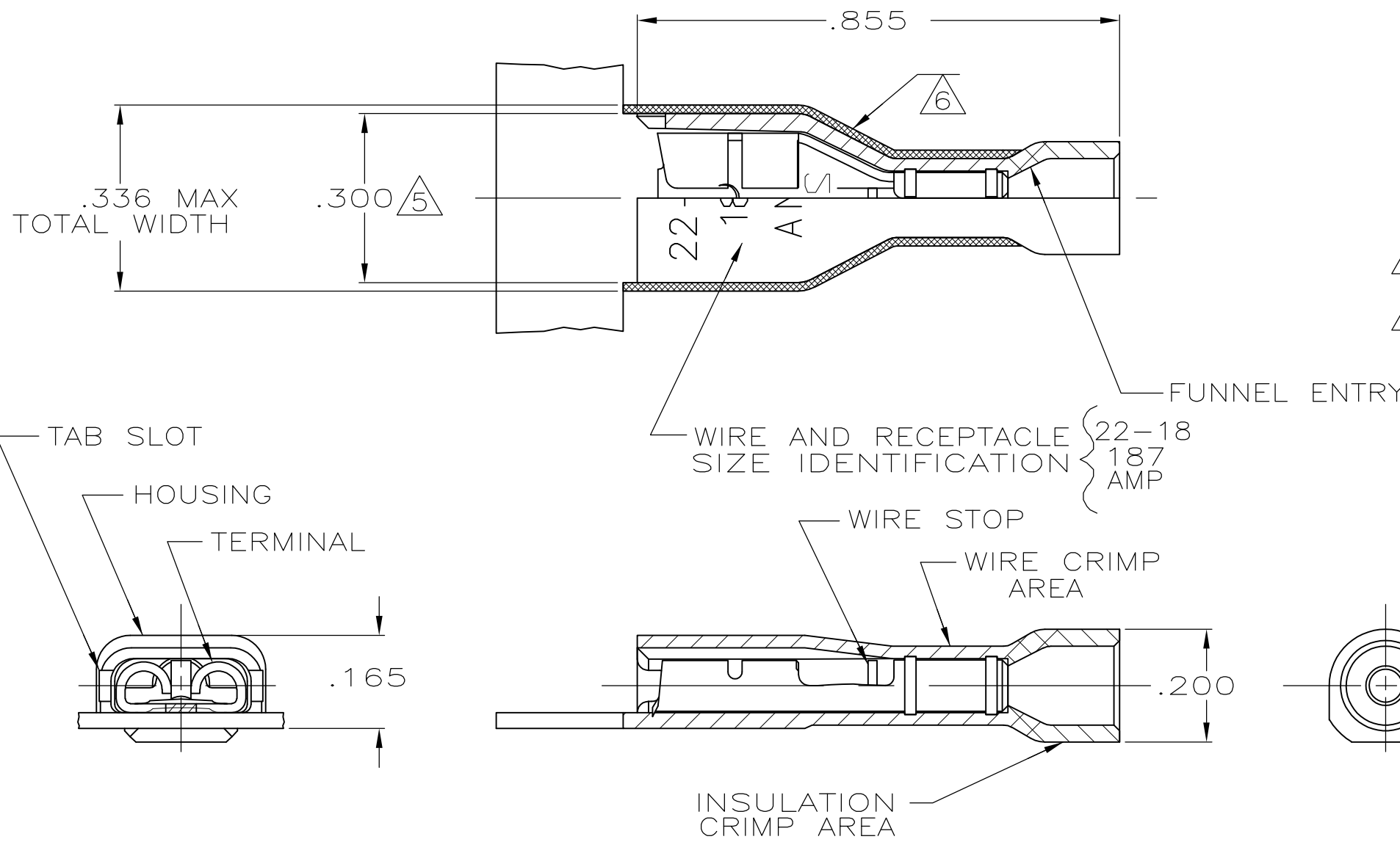


THIS DRAWING IS UNPUBLISHED. RELEASED FOR PUBLICATION  
 © COPYRIGHT - By - ALL RIGHTS RESERVED.

LOC	DIST	REVISIONS			
P	LTR	DESCRIPTION	DATE	DWN	APVD
AF	50	M	REVISED PER ECR-12-005303	23JUL12	KH KR



- 1 MATES WITH .020±.001x.187 TAB.
- 2 WIRE STRIP LENGTH .281
- 3 INSULATION SIZE .060-.135 DIA
- 4 CONTINUOUS STRIP ON REELS
- 5 DIMENSION DOES NOT INCLUDE TRIM BURR
- 6 .015 MAX CARRIER TRIM BURR PER SIDE IS ALLOWABLE IN THE SHADED AREA

HOUSING: NYLON, COLOR-RED TRANSLUCENT RECEPTACLE: #3 HARD BRASS TIN	2-520401-2
MATERIAL & FINISH	PART NO

THIS DRAWING IS A CONTROLLED DOCUMENT.		DWN P FORTNEY 10/31/88	TE Connectivity NAME RECEPTACLE ASSY, ULTRA-FAST PLUS, .187 SERIES, 22-18 AWG				
DIMENSIONS: INCHES		CHK MS FEHER 11/2/88					
TOLERANCES UNLESS OTHERWISE SPECIFIED:		APVD K RANDOLPH 11/2/88					
0 PLC ± - 1 PLC ± - 2 PLC ± - 3 PLC ± .015 4 PLC ± - ANGLES ± -		PRODUCT SPEC 108-2044					
MATERIAL SEE TABLE		FINISH SEE TABLE	APPLICATION SPEC 114-2123	SIZE A3	CAGE CODE 00779	DRAWING NO C-520401	RESTRICTED TO -
CUSTOMER DRAWING			WEIGHT -	SCALE 4:1	SHEET 1 OF 1	REV M	