

## FEATURES

- ❑ Multi-standard 32-bit high-definition audio decoding plus post-processing
- ❑ Supports high-definition audio formats including:
  - Dolby Digital® Plus
  - Dolby® TrueHD
  - DTS-HD® High Resolution Audio
  - DTS-HD Master Audio™
  - DTS Express™ 5.1
- ❑ Supports legacy audio formats and a wide array of post-processing
  - Dolby Digital® EX, Dolby Pro Logic® II, IIx, IIz 7.1, Dolby Headphone® 2, Dolby Virtual Speaker® 2, Dolby Volume® (original), Dolby Volume 258 (lite), Audistry®
  - DTS-ES 96/24™ Discrete 7.1, DTS-ES™ Discrete 7.1, DTS-ES™ Matrix 6.1, DTS Neo:6®, DTS Neural Surround™ DTS Surround Sensation Speaker
  - MPEG-2 AAC™ LC 5.1
  - SRS® Circle Surround® II, SRS Circle Surround Auto, SRS Circle Surround Decoder Optimized, SRS TruVolume™ 7.1 (V 2.1.0.0), SRS TruSurround HD/HD4®, SRS WOW HD™, SRS CS Headphone™, SRS Circle Cinema 3D™, SRS Studio Sound HD™
  - THX® Ultra2™, THX Select2™
- ❑ Cirrus Logic's Applications Library
  - Cirrus Original Multi-Channel Surround 2 (COMS2), Cirrus Band Xpander™, Cirrus Virtualization Technology (CVT), Cirrus Intelligent Room Calibration 2 (IRC2), Cirrus Bass Enhancement (CBE)
  - Crossbar Mixer, Signal Generator
  - Advanced Post-Processors including: 7.1 Bass Manager Quadruple Crossover, Tone Control, 11- Band Parametric EQ, Delay, 2:1/4:1 Decimator, 1:2/1:4 Upsampler

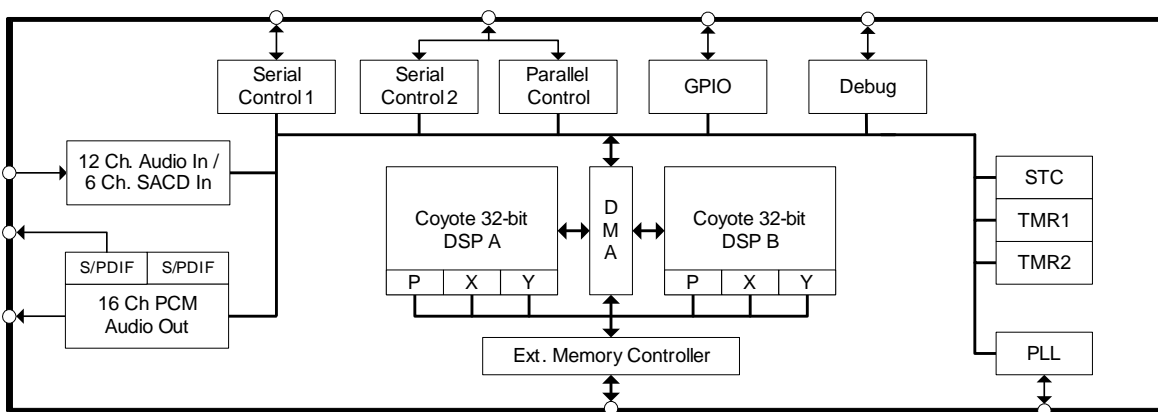
## High Definition Audio Decoder DSP Family with Dual 32-bit Engine Technology

- ❑ Up to 12 Channels of 32-bit Serial Audio Input
- ❑ Customer Software Security Keys
- ❑ 16 Ch x 32-bit PCM Out with Dual 192 kHz S/PDIF Tx
- ❑ Two SPI™/I<sup>2</sup>C™ ports
- ❑ Large On-chip X, Y, and Program RAM & ROM
- ❑ SDRAM and Serial Flash Memory Support

The CS4970x4 DSP family is an enhanced version of the CS4953xx DSP family with higher overall performance. In addition to all the mainstream audio processing codes in on-chip ROM that the CS4953xx DSP offers, the CS4970x4 device family also supports the decoding of major high-definition audio formats. Additionally, the CS4970x4, a dual-core device, performs the high-definition audio decoding on the first core, leaving the second core available for audio post-processing and audio enhancement. The CS4970x4 device supports the most demanding audio post processing requirements. It provides an easy upgrade path to systems currently using the CS495xx or CS4953xx device with minor (or no) hardware and software changes.

## Ordering Information

See [page 27](#) for ordering information.



## Preliminary Product Information

This document contains information for a new product. Cirrus Logic reserves the right to modify this product without notice.

# Table of Contents

<b>1 Documentation Strategy .....</b>	<b>4</b>
<b>2 Overview .....</b>	<b>4</b>
2.1 Migrating from CS495xx(3) to CS4970x4 .....	5
2.2 Licensing .....	5
<b>3 Code Overlays .....</b>	<b>5</b>
<b>4 Hardware Functional Description .....</b>	<b>6</b>
4.1 Coyote DSP Core .....	6
4.1.1 DSP Memory .....	6
4.1.2 DMA Controller .....	7
4.2 On-chip DSP Peripherals .....	7
4.2.1 Digital Audio Input Port (DAI) .....	7
4.2.2 Digital Audio Output Port (DAO) .....	7
4.2.3 Serial Control Port 1 & 2 (I <sup>2</sup> C or SPI) .....	7
4.2.4 External Memory Interface .....	7
4.2.5 General Purpose Input/Output (GPIO) .....	7
4.2.6 Phase-locked Loop (PLL)-based Clock Generator .....	7
4.3 DSP I/O Description .....	8
4.3.1 Multiplexed Pins .....	8
4.3.2 Termination Requirements .....	8
4.3.3 Pads .....	8
4.4 Application Code Security .....	8
<b>5 Characteristics and Specifications .....</b>	<b>8</b>
5.1 Absolute Maximum Ratings .....	8
5.2 Recommended Operating Conditions .....	9
5.3 Digital DC Characteristics .....	9
5.4 Power Supply Characteristics .....	9
5.5 Thermal Data (128-pin LQFP) .....	10
5.6 Switching Characteristics—RESET .....	11
5.7 Switching Characteristics — XTI .....	11
5.8 Switching Characteristics — Internal Clock .....	12
5.9 Switching Characteristics — Serial Control Port - SPI Slave Mode .....	13
5.10 Switching Characteristics — Serial Control Port - SPI Master Mode .....	14
5.11 Switching Characteristics — Serial Control Port - I <sup>2</sup> C Slave Mode .....	15
5.12 Switching Characteristics — Serial Control Port - I <sup>2</sup> C Master Mode .....	16
5.13 Switching Characteristics — Parallel Control Port - Intel Slave Mode .....	16
5.14 Switching Characteristics — Parallel Control Port - Motorola Slave Mode .....	19
5.15 Switching Characteristics — Digital Audio Slave Input Port .....	21
5.16 Switching Characteristics — Digital Audio Output Port .....	22
5.17 Switching Characteristics — SDRAM Interface .....	23
<b>6 Ordering Information .....</b>	<b>27</b>
<b>7 Environmental, Manufacturing, and Handling Information .....</b>	<b>27</b>
<b>8 Device Pin-Out Diagram .....</b>	<b>28</b>
8.1 128-Pin LQFP Pin-Out Diagram .....	28
<b>9 Package Mechanical Drawings .....</b>	<b>29</b>
9.1 128-Pin LQFP Package Drawing .....	29
<b>10 Revision History .....</b>	<b>30</b>

## List of Figures

Figure 1. $\overline{\text{RESET}}$ Timing .....	11
Figure 2. XTI Timing .....	11
Figure 3. Serial Control Port - SPI Slave Mode Timing .....	13
Figure 4. Serial Control Port - SPI Master Mode Timing .....	14
Figure 5. Serial Control Port - I <sup>2</sup> C Slave Mode Timing .....	15
Figure 6. Serial Control Port - I <sup>2</sup> C Master Mode Timing .....	16
Figure 7. Parallel Control Port - Intel <sup>®</sup> Slave Mode Read Cycle .....	17
Figure 8. Parallel Control Port - Intel Slave Mode Write Cycle .....	18
Figure 9. Parallel Control Port - Motorola <sup>®</sup> Slave Mode Read Cycle Timing .....	20
Figure 10. Parallel Control Port - Motorola Slave Mode Write Cycle Timing .....	20
Figure 11. Digital Audio Input (DAI) Port Timing Diagram .....	21
Figure 12. DAI Slave Timing Diagram .....	21
Figure 13. Digital Audio Port Output Timing Master Mode .....	22
Figure 14. Digital Audio Output Timing, Slave Mode (Relationship LRCLK to SCLK) .....	23
Figure 15. External Memory Interface - SDRAM Burst Read Cycle .....	24
Figure 16. External Memory Interface - SDRAM Burst Write Cycle .....	24
Figure 17. External Memory Interface - SDRAM Auto Refresh Cycle .....	25
Figure 18. External Memory Interface - SDRAM Load Mode Register Cycle .....	26
Figure 19. 128-Pin LQFP Pin-Out Diagram .....	28
Figure 20. 128-Pin LQFP Package Drawing .....	29

## List of Tables

Table 1. CS4970x4 Related Documentation .....	4
Table 2. Device and Firmware Selection Guide .....	5
Table 3. CS4970x4 DSP Memory Sizes .....	7
Table 4. Ordering Information .....	27
Table 5. Environmental, Manufacturing, & Handling Information .....	27
Table 6. 128-Pin LQFP Package Characteristics .....	29

## 1 Documentation Strategy

The CS4970x4 data sheet describes the CS4970x4 family of multichannel audio decoders. This document should be used in conjunction with the following documents when evaluating or designing a system around the CS4970x4 family of processors.

**Table 1. CS4970x4 Related Documentation**

Document Name	Description
<i>CS4970x4 Data Sheet</i>	This document
<i>CS495314/CS4970x4 System Designer's Guide</i>	A new consolidated documentation set that includes: <ul style="list-style-type: none"> <li>• Detailed system design information including Typical Connection Diagrams, Boot-Procedures, Pin Descriptions, Etc. Also describes use of DSP Condenser tool.</li> <li>• Detailed firmware design information including signal processing flow diagrams and control API information</li> </ul>
<i>AN288 - CS4953xx/CS4970x4 Firmware User's Manual</i>	Includes detailed firmware design information including signal processing flow diagrams and control API information

The scope of the CS4970x4 data sheet is primarily to provide hardware specifications of the CS4970x4 family of devices. This includes hardware functionality, characteristic data, pinout, and packaging information.

The intended audience for the CS4970x4 data sheet is the system PCB designer, MCU programmer, and the quality control engineer.

## 2 Overview

The CS4970x4 DSP Family, combined with Cirrus Logic's comprehensive library of audio processing algorithms, enables the development of next-generation high-definition audio solutions. Cirrus Logic also provides a broad array of digital interface products and audio converters to meet your audio system-level design requirements.

**Note:** The CS4970x4 is available in a 128-pin LQFP package.

The audio processing features of the CS4970x4 product family are a superset of audio features available in the CS4953xx product family.

Refer to [Table 2 on page 5](#) for the speed and firmware features of the CS4970x4 product family.

**Table 2. Device and Firmware Selection Guide**

Device	Decode Processor (DSP-A) <sup>1</sup>	Matrix Processor Module (DSP-A) <sup>1</sup>	Virtualizer Processor Module (DSP-B) <sup>1</sup>	Post Processor Module (DSP-B) <sup>1</sup>
<b>CS497014</b> 300MACS	Stereo PCM (4:1/2:1 Down-sampling and 1:2/1:4 U-sampling Options) <sup>2</sup>  Multichannel PCM (4:1/2:1 Down-sampling and 1:2/1:4 Up-sampling Options) <sup>2</sup>  Dolby Digital MPEG-2 AAC LC 5.1 Dolby Digital Plus Dolby TrueHD <sup>3</sup>	Dolby Pro Logic II / IIx / IIz 7.1  SRS Circle Surround II / Circle Surround Auto / Circle Surround Decoder Optimized (Stereo In)  Cirrus Original Multi-Channel Surround 2 (Effects / Reverb Processor)  Crossbar (Down-mix / Up-mix) (Simultaneous Process)	Cirrus Virtualizer Technology  Dolby Headphone 2  Dolby Virtual Speaker 2  SRS CS Headphone	APP (Advanced Post- processing) –Tone Control –Select 2 –PEQ (up to 11 Bands) –Delay (Speaker to Listening Position Alignment and/or Lip Sync) –7.1 Bass Manager –Audio Manager –4:1/2:1 Down-sampling <sup>2</sup>
<b>CS497004</b> 300MACS  <b>CS497024</b> 300MACS	Same as CS497014 + DTS, DTS-ES, DTS96/24 DTS-HD Master Audio <sup>3</sup> DTS-HD High Res Audio <sup>3</sup> DTS Express 5.1	Same as CS497014 + DTS Neo:6, DTS Neural Surround	SRS TruSurround HD/HD4	SRS TruVolume 7.1 Multichannel Dolby Volume Multichannel

1. Additional processing (MPMA, MPMB/VPM, PPM) post any of the HD audio decoders may be limited. Contact your Cirrus Logic FAE for the latest concurrency matrix.
2. Downsampling and Upsampling functionality is located in the operating system. The Cirrus Decimator (Down-Sampler) is also available as a separate post-processing module that is described in the application note AN288PPI.
3. The indicated HD audio decoder algorithms require external SDRAM. Consult your Cirrus Logic FAE for the recommended SDRAM size for your design.

## 2.1 Migrating from CS495xx(3) to CS4970x4

CS4970x4 was designed to provide an easy upgrade path from the CS495xx and CS4953x. There are some small differences the hardware designer should be aware of:

- The PLL supply voltage on the CS4970x4 is 3.3V vs. 1.8V on the CS495xx.
- The PLL filter topology is simpler when using the CS4970x4 rather than the CS495xx.
- The CS4970x4 adds support for Time-division multiplexing (TDM) mode on both audio input and output ports.
- The CS4970x4 does not support external static random access memory (SRAM) operation.
- The CS4970x4 external Synchronous dynamic random access memory (SDRAM) bus speed is fixed at 150 MHz vs. the 120 MHz maximum bus speed for the CS495xx. Some firmware modules also support a 75 MHz CS4970x4 SDRAM bus speed. Refer to AN304 for details.
- The CS4970x4 CLKOUT pin can output XTALI or XTALI/2. The CS495xx can only output XTALI.

## 2.2 Licensing

Licenses are required for all of the third party audio decoding/processing algorithms listed below, including the application notes. Contact your local Cirrus Sales representative for more information.

## 3 Code Overlays

The suite of software available for the CS4970x4 family consists of operating systems (OS) and a library of overlays. The overlays have been divided into three main groups: decoders, matrix processors, and postprocessors. All software components are defined in the following list:

- **OS/Kernel** - Encompasses all non-audio processing tasks, including loading data from external memory, processing host messages, calling audio-processing subroutines, auto-detection, error concealment, etc.
- **Decoders** - Any module that initially writes data into the audio I/O buffers, e.g. AC-3™, DTS, PCM, etc. All the decoding/processing algorithms listed require delivery of PCM or IEC61937-packed, compressed data via I<sup>2</sup>S- or LJ-formatted digital audio to the CS4970x4 from A/D converters, SPDIF Rx, HDMI Rx, etc.
- **Matrix-processors** - Any module that processes audio I/O buffer PCM data in-place before the Post-processors. Generally speaking, these modules alter the number of valid channels in the audio I/O buffer through processes like Virtualization ( $n \Rightarrow 2$  channels) or Matrix Decoding ( $2 \Rightarrow n$  channels). Examples are Dolby ProLogic IIx and DTS Neo:6.
- **Virtualizer-processor** - Any module that encodes PCM data into fewer output channels than input channels ( $n \Rightarrow 2$  channels) with the effect of providing “phantom” speakers to represent the physical audio channels that were eliminated. Examples are Dolby Headphone 2 and Dolby Virtual Speaker 2. Generally speaking, these modules reduce the number of valid channels in the audio I/O buffer.
- **Post-processors** - Any module that processes audio I/O buffer PCM data in-place after the matrix processors. Examples are bass management, audio manager, tone control, EQ, delay, customer-specific effects, Dolby Headphone/Virtual Speaker, etc.

The overlay structure reduces the time required to reconfigure the DSP when a processing change is requested. Each overlay can be reloaded independently without disturbing the other overlays. For example, when a new decoder is selected, the OS, matrix-, and post-processors do not need to be reloaded — only the new decoder (the same is true for the other overlays).

## 4 Hardware Functional Description

### 4.1 Coyote DSP Core

The CS4970x4 is a dual-core Coyote DSP with separate X and Y data and P code memory spaces. Each core is a high-performance, 32-bit, user-programmable, fixed-point DSP that is capable of performing two multiply accumulate (MAC) operations per clock cycle. Each core has eight 72-bit accumulators, four X- and four Y-data registers, and 12 index registers.

Both DSP cores are coupled to a flexible DMA engine. The DMA engine can move data between peripherals such as the digital audio input (DAI) and digital audio output (DAO), external memory, or any DSP core memory, all without the intervention of the DSP. The DMA engine offloads data move instructions from the DSP core, leaving more MIPS available for signal processing instructions.

CS4970x4 functionality is controlled by application codes that are stored in on-board ROM or downloaded to the CS4970x4 from a host MCU or external FLASH/EEPROM. Users can choose to use standard audio decoder and post-processor modules which are available from Cirrus Logic.

The CS4970x4 is suitable for audio decoder, audio post-processor, audio encoder, DVD audio/video player, and digital broadcast decoder applications.

#### 4.1.1 DSP Memory

Each DSP core has its own on-chip data and program RAM and ROM and does not require external memory for any of today's popular audio algorithms including Dolby Digital Surround EX, AAC Multichannel, DTS-ES 96/24, and THX Ultra2. However, if the end-system design requires support of the new high-definition audio formats, external SDRAM will be needed to support Dolby TrueHD and DTS-HD master audio.

The memory maps for the DSPs are as follows. All memory sizes are composed of 32-bit words.

**Table 3. CS4970x4 DSP Memory Sizes**

Memory Type	DSP A	DSP B
X	16K SRAM, 32K ROM	10K SRAM, 8K ROM
Y	24K SRAM, 32K ROM	16K SRAM, 16K ROM
P	8K SRAM, 32K ROM	8K SRAM, 24K ROM

#### 4.1.2 DMA Controller

The powerful 12-channel DMA controller can move data between 8 on-chip resources. Each resource has its own arbiter: X, Y, and P RAM/ROMs on DSP A; X, Y, and P RAM/ROMs on DSP B; external memory; and the peripheral bus. Modulo and linear addressing modes are supported, with flexible start address and increment controls. The service interval for each DMA channel as well as up to 6 interrupt events, is programmable.

## 4.2 On-chip DSP Peripherals

### 4.2.1 Digital Audio Input Port (DAI)

The 12-channel (6-line) DAI port supports a wide variety of data input formats. The port is capable of accepting PCM or IEC61937. Up to 32-bit word lengths are supported. Additionally, support is provided for audio data input to the DSP via the DAI from an HDMI receiver.

The port has two independent slave-only clock domains. Each data input can be independently assigned to a clock domain. The sample rate of the input clock domains can be determined automatically by the DSP, which off-loads the task of monitoring the SPDIF receiver from the host. A time-stamping feature allows the input data to be sample-rate converted via software.

### 4.2.2 Digital Audio Output Port (DAO)

There are two DAO ports. Each port can output 8 channels of up to 32-bit PCM data. The port supports data rates from 32 kHz to 192 kHz. Each port can be configured as an independent clock domain in slave mode, or the ratio of the two clocks can be set to even multiples of each other in master mode. The two ports can also be ganged together into a single clock domain. Each port has one serial audio pin that can be configured as a 192-kHz SPDIF transmitter (data with embedded clock on a single line).

### 4.2.3 Serial Control Port 1 & 2 (I<sup>2</sup>C or SPI)

There are two on-chip serial control ports that are capable of operating as master or slave in either I<sup>2</sup>C or SPI modes. SCP1 defaults to slave operation. It is dedicated for external host-control and supports an external clock up to 50 MHz in SPI mode. This high clock speed enables very fast code download, control or data delivery. SCP2 defaults to master mode and is dedicated for booting from external serial Flash memory or for audio sub-system control.

### 4.2.4 External Memory Interface

The external memory interface controller supports up to 128 Mbits of SDRAM, using a 16-bit data bus.

### 4.2.5 General Purpose Input/Output (GPIO)

Many of the CS4970x4 peripheral pins are multiplexed with GPIO. Each GPIO can be configured as an output, an input, or an input with interrupt. Each input-pin interrupt can be configured as rising edge, falling edge, active-low, or active-high.

### 4.2.6 Phase-locked Loop (PLL)-based Clock Generator

The low-jitter PLL generates integer or fractional multiples of a reference frequency which are used to clock the DSP core and peripherals. Through a second PLL divider chain, a dependent clock domain can be output on the DAO port for driving audio converters. The CS4970x4 defaults to running from the external reference frequency and can be switched to use the PLL output after overlays have been loaded and configured, either



through master boot from an external FLASH or through host control. A built-in crystal oscillator circuit with a buffered output is provided. The buffered output frequency ratio is selectable between 1:1 (default) or 2:1.

## 4.3 DSP I/O Description

### 4.3.1 Multiplexed Pins

Many of the CS4970x4 pins are multi-functional. For details on pin functionality please refer to the *CS4970x4 System Designer's Guide*.

### 4.3.2 Termination Requirements

Open-drain pins on the CS4970x4 must be pulled high for proper operation. Please refer to the *CS4970x4 System Designer's Guide* to identify which pins are open-drain and what value of pull-up resistor is required for proper operation.

Mode select pins on the CS4970x4 are used to select the boot mode upon the rising edge of reset. A detailed explanation of termination requirements for each communication mode select pin can be found in the *CS4970x4 System Designer's Guide*.

### 4.3.3 Pads

The CS4970x4 I/O operates from the 3.3 V supply and is tolerant within 5 V.

## 4.4 Application Code Security

The external program code may be encrypted by the programmer to protect any intellectual property it may contain. A secret, customer-specific key is used to encrypt the program code that is to be stored external to the device.

# 5 Characteristics and Specifications

**Note:** All data sheet minimum and maximum timing parameters are guaranteed over the rated voltage and temperature. All data sheet typical parameters are measured under the following conditions:  
 $T = 25\text{ }^{\circ}\text{C}$ ,  $C_L = 20\text{ pF}$ ,  $V_{DD} = 1.8\text{ V}$ ,  $V_{DDA} = V_{DDIO} = 3.3\text{ V}$ ,  $GNDD = GNDIO = GNDA = 0\text{ V}$ .

## 5.1 Absolute Maximum Ratings

( $GNDD = GNDIO = GNDA = 0\text{ V}$ ; all voltages with respect to 0 V)

Parameter	Symbol	Min	Max	Unit	
DC power supplies:	Core supply	VDD	-0.3	2.0	V
	PLL supply	VDDA	-0.3	3.6	V
	I/O supply	VDDIO	-0.3	3.6	V
	$ V_{DDA} - V_{DDIO} $		—	0.3	V
Input pin current, any pin except supplies	$I_{in}$	—	+/- 10	mA	
Input voltage on PLL_REF_RES	$V_{filt}$	-0.3	3.6	V	
Input voltage on I/O pins	$V_{inio}$	-0.3	5.0	V	
Storage temperature	$T_{stg}$	-65	150	$^{\circ}\text{C}$	

**CAUTION:** Operation at or beyond these limits may result in permanent damage to the device. Normal operation is not guaranteed at these extremes.



## 5.2 Recommended Operating Conditions

(GNDD = GNDIO = GNDA = 0 V; all voltages with respect to 0 V)

Parameter	Symbol	Min	Typ	Max	Unit	
DC power supplies:	Core supply	VDD	1.71	1.8	1.89	V
	PLL supply	VDDA	3.13	3.3	3.46	V
	I/O supply	VDDIO	3.13	3.3	3.46	V
	VDDA – VDDIO			0		V
Ambient operating temperature	$T_A$					
Commercial Grade (CQZ/CVZ)		0	+25	+70	°C	
Commercial	$T_j$	0		+125	°C	

**Note:** It is recommended that the 3.3 V IO supply come up ahead of or simultaneously with the 1.8 V core supply.

## 5.3 Digital DC Characteristics

(Measurements performed under static conditions.)

Parameter	Symbol	Min	Typ	Max	Unit
High-level input voltage	$V_{IH}$	2.0	—	—	V
Low-level input voltage, except XTI	$V_{IL}$	—	—	0.8	V
Low-level input voltage, XTI	$V_{ILXTI}$	—	—	0.6	V
Input Hysteresis	$V_{hys}$	—	0.4	—	V
High-level output voltage ( $I_O = -4mA$ ), except XTI, SDRAM pins	$V_{OH}$	VDDIO * 0.9	—	—	V
Low-level output voltage ( $I_O = 4mA$ ), except XTI, SDRAM pins	$V_{OL}$	—	—	VDDIO * 0.1	V
SDRAM High-level output voltage ( $I_O = -8mA$ )	$V_{OH}$	VDDIO * 0.9	—	—	V
SDRAM Low-level output voltage ( $I_O = 8mA$ )	$V_{OL}$	—	—	VDDIO * 0.1	V
Input leakage current (all digital pins with internal pull-up resistors disabled)	$I_{IN}$	—	—	5	μA
Input leakage current (all digital pins with internal pull-up resistors enabled, and XTI)	$I_{IN-PU}$	—	—	70	μA

## 5.4 Power Supply Characteristics

(Measurements performed under operating conditions.)

Parameter	Min	Typ	Max	Unit
Power supply current:				
Core and I/O operating: VDD <sup>1</sup>	—	350	—	mA
PLL operating: VDDA	—	3.5	—	mA
With external memory and most ports operating: VDDIO	—	120	—	mA

1. Dependent on application firmware and DSP clock speed.

## 5.5 Thermal Data (128-pin LQFP)

Parameter	Symbol	Min	Typ	Max	Unit
Thermal Resistance (Junction to Ambient)	$\theta_{ja}$	—	53	—	°C / Watt
Two-layer Board <sup>1</sup>					
Four-layer Board <sup>2</sup>		—	44	—	
Thermal Resistance (Junction to Top of Package)	$\psi_{jt}$	—	.45	—	°C / Watt
Two-layer Board <sup>1</sup>					
Four-layer Board <sup>2</sup>		—	.39	—	

- Notes:**
1. Two-layer board is specified as a 76 mm X 114 mm, 1.6 mm thick FR-4 material with 1-oz. copper covering 20% of the top and bottom layers.
  2. Four-layer board is specified as a 76 mm X 114 mm, 1.6 mm thick FR-4 material with 1-oz. copper covering 20% of the top and bottom layers and 0.5-oz. copper covering 90% of the internal power plane and ground plane layers.
  3. To calculate the die temperature for a given power dissipation  

$$T_j = \text{Ambient Temperature} + [ (\text{Power Dissipation in Watts}) * \theta_{ja} ]$$
  4. To calculate the case temperature for a given power dissipation  

$$T_c = T_j - [ (\text{Power Dissipation in Watts}) * \psi_{jt} ]$$

## 5.6 Switching Characteristics—RESET

Parameter	Symbol	Min	Max	Unit
$\overline{\text{RESET}}$ minimum pulse width low	$T_{\text{rstl}}$	1	—	$\mu\text{s}$
All bidirectional pins high-Z after $\overline{\text{RESET}}$ low	$T_{\text{rst2z}}$	—	100	ns
Configuration pins setup before $\overline{\text{RESET}}$ high	$T_{\text{rstsu}}$	50	—	ns
Configuration pins hold after $\overline{\text{RESET}}$ high	$T_{\text{rsthd}}$	20	—	ns

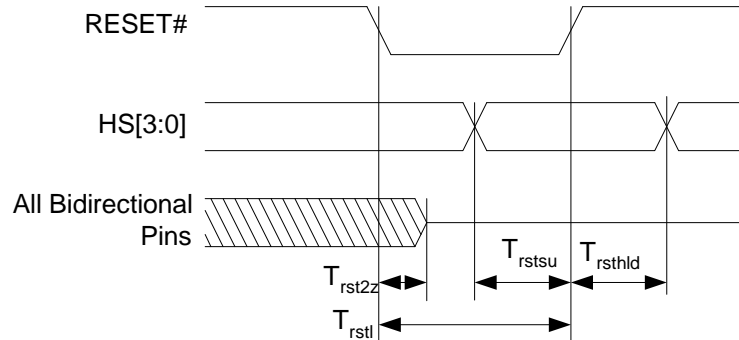


Figure 1.  $\overline{\text{RESET}}$  Timing

## 5.7 Switching Characteristics — XTI

Parameter	Symbol	Min	Max	Unit
External Crystal operating frequency <sup>1</sup>	$F_{\text{xtal}}$	12.288	24.576	MHz
XTI period	$T_{\text{clki}}$	41	81.4	ns
XTI high time	$T_{\text{clkih}}$	16.4	—	ns
XTI low time	$T_{\text{clkil}}$	16.4	—	ns
External Crystal Load Capacitance (parallel resonant) <sup>2</sup>	$C_L$	10	18	pF
External Crystal Equivalent Series Resistance	ESR	—	50	$\Omega$

1. Part characterized with the following crystal frequency values: 12.288 and 24.576 MHz.

2.  $C_L$  refers to the total load capacitance as specified by the crystal manufacturer. Crystals which require a  $C_L$  outside this range should be avoided. The crystal oscillator circuit design should follow the crystal manufacturer's recommendation for load capacitor selection.

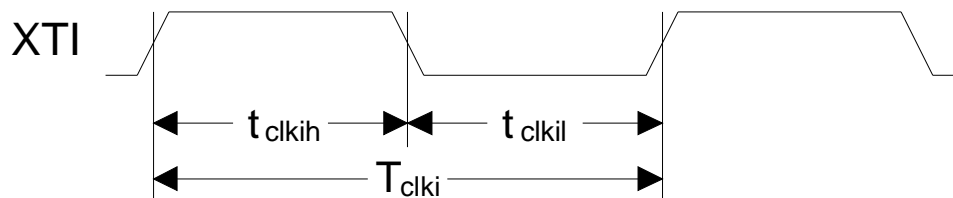


Figure 2. XTI Timing

## 5.8 Switching Characteristics — Internal Clock

Parameter	Symbol	Min	Max	Unit
Internal DCLK frequency <sup>1</sup>	$F_{\text{dclk}}$	—	—	MHz
CS497004-CQZ CS497004-CQZR CS497024-CVZ CS497024-CVZR CS497014-CVZ CS497014-CVZR CS497024-CVZ CS497024-CVZR		$F_{\text{xtal}}$	131	
Internal DCLK period <sup>1</sup>	DCLKP	—	—	ns
CS497004-CQZ CS497004-CQZR CS497024-CVZ CS497024-CVZR CS497014-CVZ CS497014-CVZR CS497024-CVZ CS497024-CVZR		7.63	$1/F_{\text{xtal}}$	

1. After initial power-on reset,  $F_{\text{dclk}} = F_{\text{xtal}}$ . After initial kick-start commands, the PLL is locked to max  $F_{\text{dclk}}$  and remains locked until the next power-on reset.

## 5.9 Switching Characteristics — Serial Control Port - SPI Slave Mode

Parameter	Symbol	Min	Typical	Max	Units
SCP_CLK frequency <sup>1,2</sup>	$f_{\text{spisck}}$	—	—	25	MHz
SCP_ $\overline{\text{CS}}$ falling to SCP_CLK rising <sup>2</sup>	$t_{\text{spicss}}$	24	—	—	ns
SCP_CLK low time <sup>2</sup>	$t_{\text{spickl}}$	20	—	—	ns
SCP_CLK high time <sup>2</sup>	$t_{\text{spickh}}$	20	—	—	ns
Setup time SCP_MOSI input	$t_{\text{spidsu}}$	5	—	—	ns
Hold time SCP_MOSI input	$t_{\text{spidh}}$	5	—	—	ns
SCP_CLK low to SCP_MISO output valid <sup>2</sup>	$t_{\text{spidov}}$	—	—	11	ns
SCP_CLK falling to SCP_ $\overline{\text{IRQ}}$ rising <sup>2</sup>	$t_{\text{spiiqrh}}$	—	—	20	ns
SCP_ $\overline{\text{CS}}$ rising to SCP_ $\overline{\text{IRQ}}$ falling <sup>2</sup>	$t_{\text{spiiqrl}}$	0	—	—	ns
SCP_CLK low to SCP_ $\overline{\text{CS}}$ rising <sup>2</sup>	$t_{\text{spicsh}}$	24	—	—	ns
SCP_ $\overline{\text{CS}}$ rising to SCP_MISO output high-Z	$t_{\text{spicsdz}}$	—	20	—	ns
SCP_CLK rising to SCP_ $\overline{\text{BSY}}$ falling <sup>2</sup>	$t_{\text{spicsyl}}$	—	$3 \cdot \text{DCLKP} + 20$	—	ns

1. The specification  $f_{\text{spisck}}$  indicates the maximum speed of the hardware. The system designer should be aware that the actual maximum speed of the communication port may be limited by the firmware application. Flow control using the SCP\_ $\overline{\text{BSY}}$  pin should be implemented to prevent overflow of the input data buffer. At boot the maximum speed is Fxtal/3.
2. When SCP1 is in SPI slave mode, very slow rise and fall times of the SCP\_CLK edges may make the edges of the SCP\_CLK more susceptible to noise, resulting in non-smooth edges. Any glitch at the threshold levels of the SCP port input signals could result in abnormal operation of the port. In systems that have noise coupling onto SCP\_CLK, slow rise and fall times may cause host communication problems. Increasing rise time makes host communication more reliable.

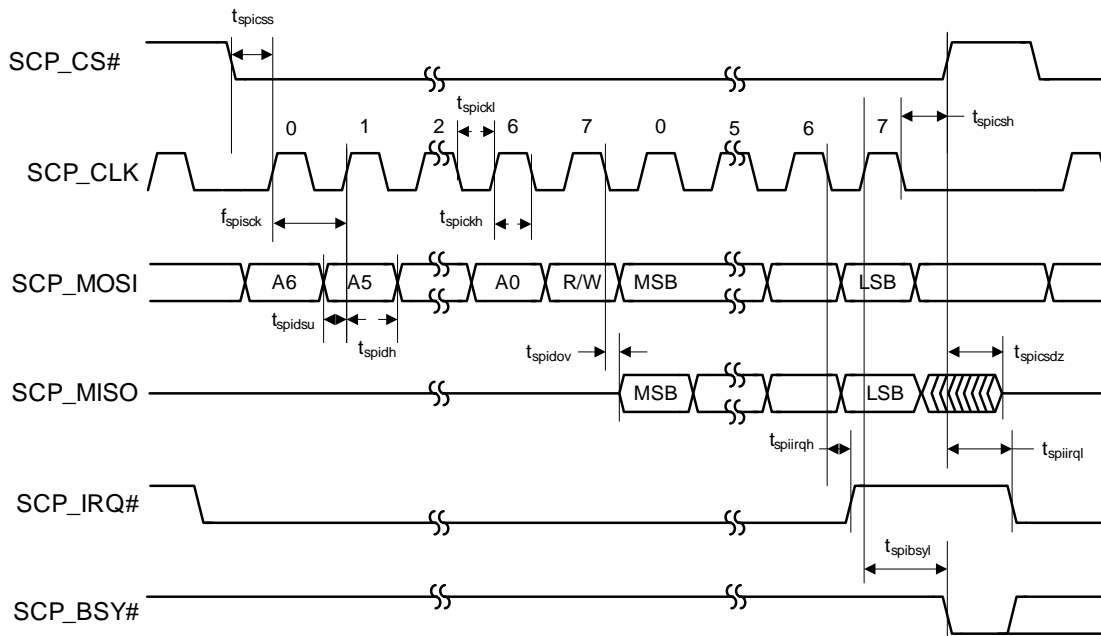


Figure 3. Serial Control Port - SPI Slave Mode Timing



## 5.11 Switching Characteristics — Serial Control Port - I<sup>2</sup>C Slave Mode

Parameter	Symbol	Min	Typical	Max	Units
SCP_CLK frequency <sup>1</sup>	$f_{iicck}$	—	—	400	kHz
SCP_CLK low time	$t_{iicckl}$	1.25	—	—	$\mu$ s
SCP_CLK high time	$t_{iicckh}$	1.25	—	—	$\mu$ s
SCP_SCK rising to SCP_SDA rising or falling for START or STOP condition	$t_{iicckcmd}$	1.25	—	—	$\mu$ s
START condition to SCP_CLK falling	$t_{iicstsc}$	1.25	—	—	$\mu$ s
SCP_CLK falling to STOP condition	$t_{iicstp}$	2.5	—	—	$\mu$ s
Bus free time between STOP and START conditions	$t_{iicbft}$	3	—	—	$\mu$ s
Setup time SCP_SDA input valid to SCP_CLK rising	$t_{iicsu}$	100	—	—	ns
Hold time SCP_SDA input after SCP_CLK falling <sup>2</sup>	$t_{iich}$	0	—	—	ns
SCP_CLK low to SCP_SDA out valid	$t_{iicdov}$	—	—	18	ns
SCP_CLK falling to SCP_IRQ rising	$t_{iicirqh}$	—	—	$3 \cdot DCLKP + 40$	ns
NAK condition to SCP_IRQ low	$t_{iicirql}$	—	$3 \cdot DCLKP + 20$	—	ns
SCP_CLK rising to SCP_BSY low	$t_{iicbsyl}$	—	$3 \cdot DCLKP + 20$	—	ns

1. The specification  $f_{iicck}$  indicates the maximum speed of the hardware. The system designer should be aware that the actual maximum speed of the communication port may be limited by the firmware application. Flow control using the SCP\_BSY pin should be implemented to prevent overflow of the input data buffer.
2. This parameter is measured from the VIL level at the falling edge of the clock.

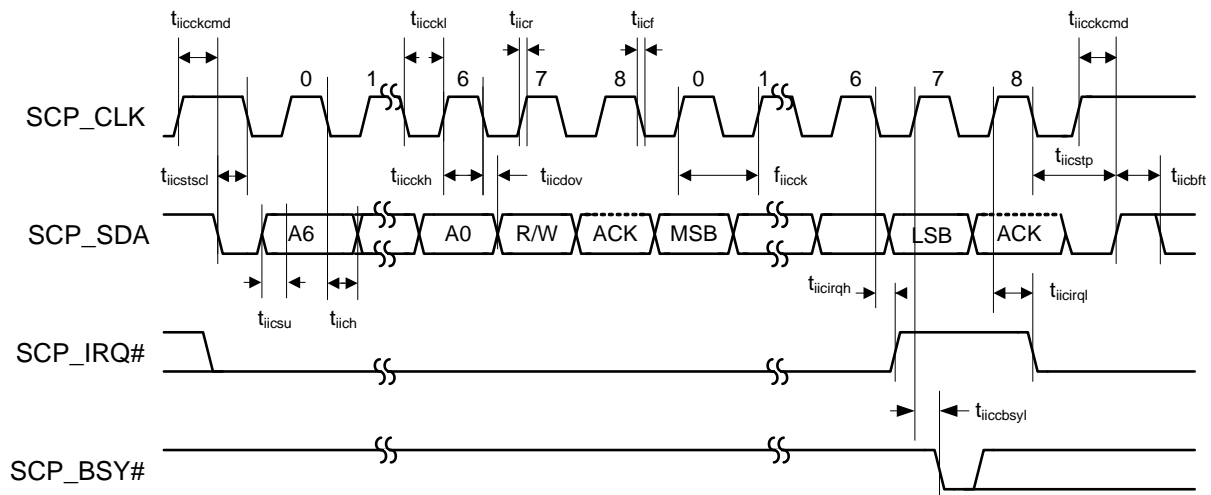


Figure 5. Serial Control Port - I<sup>2</sup>C Slave Mode Timing



## 5.12 Switching Characteristics — Serial Control Port - I<sup>2</sup>C Master Mode

Parameter	Symbol	Min	Max	Units
SCP_CLK frequency <sup>1</sup>	$f_{iicck}$	—	400	kHz
SCP_CLK low time	$t_{iicckl}$	1.25	—	$\mu$ s
SCP_CLK high time	$t_{iicckh}$	1.25	—	$\mu$ s
SCP_SCK rising to SCP_SDA rising or falling for START or STOP condition	$t_{iicckcmd}$	1.25	—	$\mu$ s
START condition to SCP_CLK falling	$t_{iicstscf}$	1.25	—	$\mu$ s
SCP_CLK falling to STOP condition	$t_{iicstsp}$	2.5	—	$\mu$ s
Bus free time between STOP and START conditions	$t_{iicbft}$	3	—	$\mu$ s
Setup time SCP_SDA input valid to SCP_CLK rising	$t_{iicsu}$	100	—	ns
Hold time SCP_SDA input after SCP_CLK falling <sup>2</sup>	$t_{iich}$	0	—	ns
SCP_CLK low to SCP_SDA out valid	$t_{iicdov}$	—	36	ns

1. The specification  $f_{iicck}$  indicates the maximum speed of the hardware. The system designer should be aware that the actual maximum speed of the communication port may be limited by the firmware application.
2. This parameter is measured from the ViL level at the falling edge of the clock.

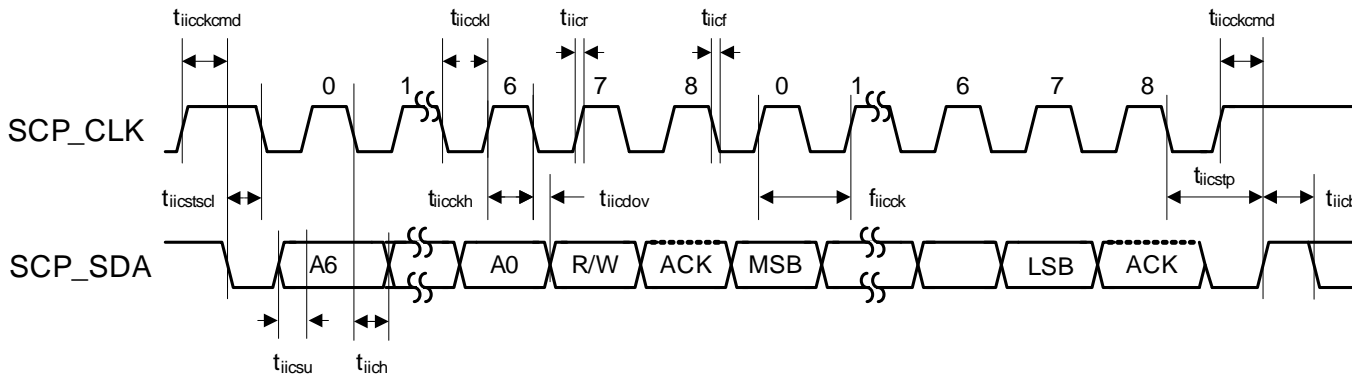


Figure 6. Serial Control Port - I<sup>2</sup>C Master Mode Timing

## 5.13 Switching Characteristics — Parallel Control Port - Intel Slave Mode

Parameter	Symbol	Min	Typical	Max	Unit
Address setup before $\overline{\text{PCP\_CS}}$ and $\overline{\text{PCP\_RD}}$ low or $\overline{\text{PCP\_CS}}$ and $\overline{\text{PCP\_WR}}$ low	$t_{ias}$	5	—	—	ns
Address hold time after $\overline{\text{PCP\_CS}}$ and $\overline{\text{PCP\_RD}}$ low or $\overline{\text{PCP\_CS}}$ and $\overline{\text{PCP\_WR}}$ high	$t_{iah}$	5	—	—	ns
<b>Read</b>					

Parameter	Symbol	Min	Typical	Max	Unit
Delay between $\overline{\text{PCP\_RD}}$ then $\overline{\text{PCP\_CS}}$ low or $\overline{\text{PCP\_CS}}$ then $\overline{\text{PCP\_RD}}$ low	$t_{icdr}$	0	—	—	ns
Data valid after $\overline{\text{PCP\_CS}}$ and $\overline{\text{PCP\_RD}}$ low	$t_{idd}$	—	—	18	ns
$\overline{\text{PCP\_CS}}$ and $\overline{\text{PCP\_RD}}$ low for read	$t_{irpw}$	24	—	—	ns
Data hold time after $\overline{\text{PCP\_CS}}$ or $\overline{\text{PCP\_RD}}$ high	$t_{idhr}$	8	—	—	ns
Data high-Z after $\overline{\text{PCP\_CS}}$ or $\overline{\text{PCP\_RD}}$ high	$t_{idis}$	—	—	18	ns
$\overline{\text{PCP\_CS}}$ or $\overline{\text{PCP\_RD}}$ high to $\overline{\text{PCP\_CS}}$ and $\overline{\text{PCP\_RD}}$ low for next read <sup>1</sup>	$t_{ird}$	30	—	—	ns
$\overline{\text{PCP\_CS}}$ or $\overline{\text{PCP\_RD}}$ high to $\overline{\text{PCP\_CS}}$ and $\overline{\text{PCP\_WR}}$ low for next write <sup>1</sup>	$t_{irdtw}$	30	—	—	ns
$\overline{\text{PCP\_RD}}$ rising to $\overline{\text{PCP\_IRQ}}$ rising	$t_{irdirqhl}$	—	—	12	ns
<b>Write</b>					
Delay between $\overline{\text{PCP\_WR}}$ then $\overline{\text{PCP\_CS}}$ low or $\overline{\text{PCP\_CS}}$ then $\overline{\text{PCP\_WR}}$ low	$t_{icdw}$	0	—	—	ns
Data setup before $\overline{\text{PCP\_CS}}$ or $\overline{\text{PCP\_WR}}$ high	$t_{idsu}$	8	—	—	ns
$\overline{\text{PCP\_CS}}$ and $\overline{\text{PCP\_WR}}$ low for write	$t_{iwpw}$	24	—	—	ns
Data hold after $\overline{\text{PCP\_CS}}$ or $\overline{\text{PCP\_WR}}$ high	$t_{idhw}$	8	—	—	ns
$\overline{\text{PCP\_CS}}$ or $\overline{\text{PCP\_WR}}$ high to $\overline{\text{PCP\_CS}}$ and $\overline{\text{PCP\_RD}}$ low for next read <sup>1</sup>	$t_{iwtrd}$	30	—	—	ns
$\overline{\text{PCP\_CS}}$ or $\overline{\text{PCP\_WR}}$ high to $\overline{\text{PCP\_CS}}$ and $\overline{\text{PCP\_WR}}$ low for next write <sup>1</sup>	$t_{iwd}$	30	—	—	ns
$\overline{\text{PCP\_WR}}$ rising to $\overline{\text{PCP\_BSY}}$ falling	$t_{iwrsysl}$	—	$2 \cdot \text{DCLKP} + 20$	—	ns

1. The system designer should be aware that the actual maximum speed of the communication port may be limited by the firmware application. Hardware handshaking on the  $\overline{\text{PCP\_BSY}}$  pin/bit should be observed to prevent overflowing the input data buffer. CS4953x4/CS4970x4 System Designer's Guide should be consulted for the firmware speed limitations.

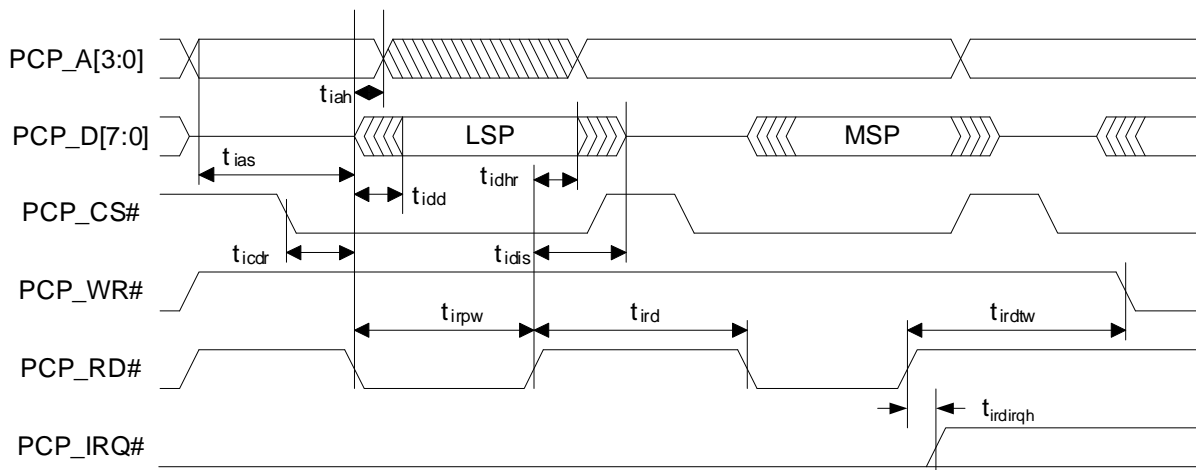


Figure 7. Parallel Control Port - Intel® Slave Mode Read Cycle

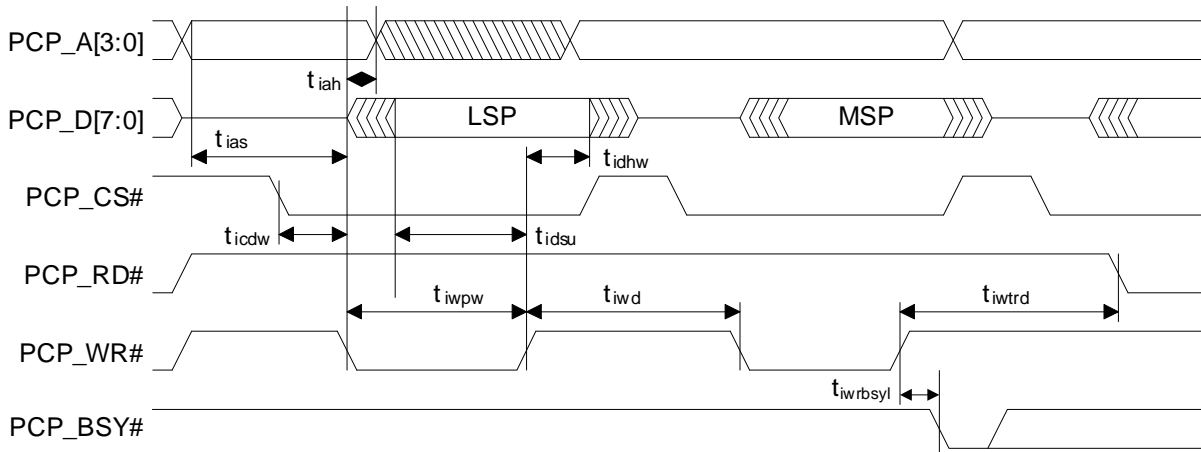


Figure 8. Parallel Control Port - Intel Slave Mode Write Cycle

## 5.14 Switching Characteristics — Parallel Control Port - Motorola Slave Mode

Parameter	Symbol	Min	Typical	Max	Unit
Address setup before $\overline{\text{PCP\_CS}}$ and $\overline{\text{PCP\_DS}}$ low	$t_{\text{mas}}$	5	—	—	ns
Address hold time after $\overline{\text{PCP\_CS}}$ and $\overline{\text{PCP\_DS}}$ low	$t_{\text{mah}}$	5	—	—	ns
<b>Read</b>					
Delay between $\overline{\text{PCP\_DS}}$ then $\overline{\text{PCP\_CS}}$ low or $\overline{\text{PCP\_CS}}$ then $\overline{\text{PCP\_DS}}$ low	$t_{\text{mcd r}}$	0	—	—	ns
Data valid after $\overline{\text{PCP\_CS}}$ and $\overline{\text{PCP\_DS}}$ low with PCP_R/W high	$t_{\text{mdd}}$	—	—	19	ns
$\overline{\text{PCP\_CS}}$ and $\overline{\text{PCP\_DS}}$ low for read	$t_{\text{mrpw}}$	24	—	—	ns
Data hold time after $\overline{\text{PCP\_CS}}$ or $\overline{\text{PCP\_DS}}$ high after read	$t_{\text{mdhr}}$	8	—	—	ns
Data high-Z after $\overline{\text{PCP\_CS}}$ or $\overline{\text{PCP\_DS}}$ high after read	$t_{\text{mdis}}$	—	—	18	ns
$\overline{\text{PCP\_CS}}$ or $\overline{\text{PCP\_DS}}$ high to $\overline{\text{PCP\_CS}}$ and $\overline{\text{PCP\_DS}}$ low for next read <sup>1</sup>	$t_{\text{mrd}}$	30	—	—	ns
$\overline{\text{PCP\_CS}}$ or $\overline{\text{PCP\_DS}}$ high to $\overline{\text{PCP\_CS}}$ and $\overline{\text{PCP\_DS}}$ low for next write <sup>1</sup>	$t_{\text{mr dtw}}$	30	—	—	ns
PCP_RW rising to PCP_IRQ falling	$t_{\text{mrwirqh}}$	—	—	12	ns
<b>Write</b>					
Delay between $\overline{\text{PCP\_DS}}$ then $\overline{\text{PCP\_CS}}$ low or $\overline{\text{PCP\_CS}}$ then $\overline{\text{PCP\_DS}}$ low	$t_{\text{mcdw}}$	0	—	—	ns
Data setup before $\overline{\text{PCP\_CS}}$ or $\overline{\text{PCP\_DS}}$ high	$t_{\text{mdsu}}$	8	—	—	ns
$\overline{\text{PCP\_CS}}$ and $\overline{\text{PCP\_DS}}$ low for write	$t_{\text{mw pw}}$	24	—	—	ns
PCP_R/W setup before $\overline{\text{PCP\_CS}}$ AND $\overline{\text{PCP\_DS}}$ low	$t_{\text{mrwsu}}$	24	—	—	ns
PCP_R/W hold time after PCP_CS or PCP_DS high	$t_{\text{mrwhld}}$	8	—	—	ns
Data hold after $\overline{\text{PCP\_CS}}$ or $\overline{\text{PCP\_DS}}$ high	$t_{\text{mdhw}}$	8	—	—	ns
$\overline{\text{PCP\_CS}}$ or $\overline{\text{PCP\_DS}}$ high to $\overline{\text{PCP\_CS}}$ and $\overline{\text{PCP\_DS}}$ low with PCP_R/W high for next read <sup>1</sup>	$t_{\text{mwtrd}}$	30	—	—	ns
$\overline{\text{PCP\_CS}}$ or $\overline{\text{PCP\_DS}}$ high to $\overline{\text{PCP\_CS}}$ and $\overline{\text{PCP\_DS}}$ low for next write <sup>1</sup>	$t_{\text{mwd}}$	30	—	—	ns
$\overline{\text{PCP\_RW}}$ rising to $\overline{\text{PCP\_BSY}}$ falling	$t_{\text{mrwbsyl}}$	—	2*DCLKP + 20	—	ns

1. The system designer should be aware that the actual maximum speed of the communication port may be limited by the firmware application. Hardware handshaking on the PCP\_BSY pin/bit should be observed to prevent overflowing the input data buffer. CS4953x4/CS4970x4 System Designer's Guide should be consulted for the firmware speed limitations.



## 5.15 Switching Characteristics — Digital Audio Slave Input Port

Parameter	Symbol	Min	Max	Unit
DAI_SCLK period	$T_{\text{daiclkp}}$	40	—	ns
DAI_SCLK duty cycle	—	45	55	%
DAI_LRCLK transition from DAI_SCLK active edge	$t_{\text{daisstr}}$	10	—	ns
DAI_SCLK active edge from DAI_LRCLK transition	$t_{\text{daislrts}}$	10	—	ns
Setup time DAI_DATAn	$t_{\text{daidsu}}$	10	—	ns
Hold time DAI_DATAn	$t_{\text{daidh}}$	5	—	ns

**Note:** In these diagrams, falling edge is the inactive edge of DAI\_SCLK.

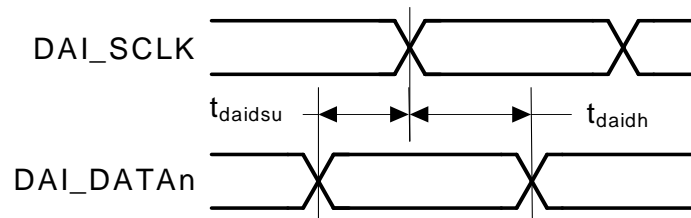


Figure 11. Digital Audio Input (DAI) Port Timing Diagram

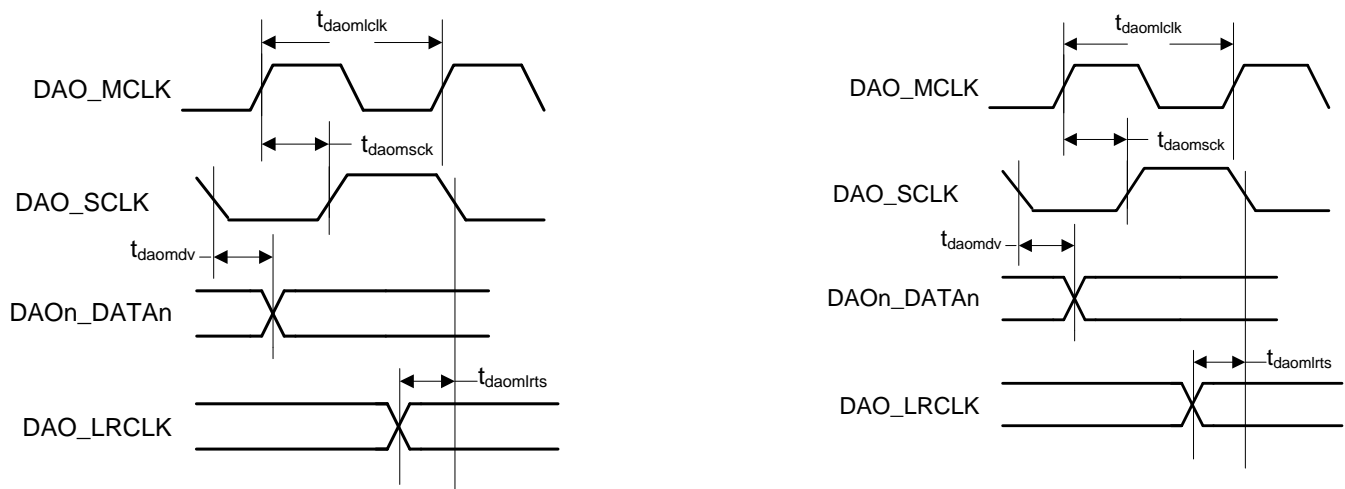


Figure 12. DAI Slave Timing Diagram

## 5.16 Switching Characteristics — Digital Audio Output Port

Parameter	Symbol	Min	Max	Unit
DAO_MCLK period	$T_{\text{daomclk}}$	40	—	ns
DAO_MCLK duty cycle	—	45	55	%
DAO_SCLK period for Master or Slave mode <sup>1</sup>	$T_{\text{daosclk}}$	40	—	ns
DAO_SCLK duty cycle for Master or Slave mode <sup>1</sup>	—	40	60	%
<b>Master Mode (Output A1 Mode)<sup>1,2</sup></b>				
DAO_SCLK delay from DAO_MCLK rising edge, DAO_MCLK as an input	$t_{\text{daomsck}}$	—	19	ns
DAO_SCLK delay from DAO_LRCLK transition <sup>3</sup>	$t_{\text{daomlrts}}$	—	8	ns
DAO_LRCLK delay from DAO_SCLK transition <sup>3</sup>	$t_{\text{daomstr}}$	—	8	ns
DAO1_DATA[3..0], DAO2_DATA[1..0] delay from DAO_SCLK transition <sup>3</sup>	$t_{\text{daomdv}}$	—	10	ns
<b>Slave Mode (Output A0 Mode)<sup>4</sup></b>				
DAO_SCLK active edge to DAO_LRCLK transition	$t_{\text{daosstr}}$	10	—	ns
DAO_LRCLK transition to DAO_SCLK active edge	$t_{\text{daoslrts}}$	10	—	ns
DAO_Dx delay from DAO_SCLK inactive edge	$t_{\text{daosdv}}$	—	12.5	ns

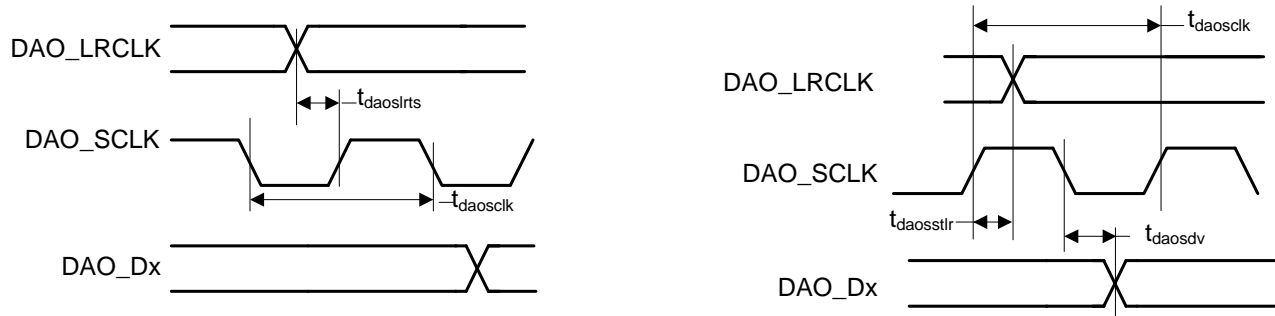
1. Master mode timing specifications are characterized, not production tested.
2. Master mode is defined as the CS4970x4 driving both DAO\_SCLK, DAO\_LRCLK. When MCLK is an input, it is divided to produce DAO\_SCLK, DAO\_LRCLK.
3. This timing parameter is defined from the non-active edge of DAO\_SCLK. The active edge of DAO\_SCLK is the point at which the data is valid.
4. Slave mode is defined as DAO\_SCLK, DAO\_LRCLK driven by an external source.



**Note:** In these diagrams, falling edge is the inactive edge of DAO\_SCLK.

**Figure 13. Digital Audio Port Output Timing Master Mode**





Note: In these diagrams, Falling edge is the inactive edge of DAO\_SCLK

**Figure 14. Digital Audio Output Timing, Slave Mode (Relationship LRCLK to SCLK)**

### 5.17 Switching Characteristics — SDRAM Interface

Refer to [Figure 15](#) through [Figure 18](#).

(SD\_CLKOUT = SD\_CLKIN)

Parameter	Symbol	Min	Typical	Max	Unit
SD_CLKIN high time	$t_{sdclkh}$	2.3	—	—	ns
SD_CLKIN low time	$t_{sdckl}$	2.3	—	—	ns
SD_CLKOUT rise/fall time	$t_{sdclkrf}$	—	—	1	ns
SD_CLKOUT Frequency	—	—	150	—	MHz
SD_CLKOUT duty cycle	—	45	—	55	%
SD_CLKOUT rising edge to signal valid	$t_{sdcmdv}$	—	—	3.8	ns
Signal hold from SD_CLKOUT rising edge	$t_{sdcmdh}$	—	1.1	—	ns
SD_CLKOUT rising edge to SD_DQMn valid	$t_{sddqv}$	—	3.8	—	ns
SD_DQMn hold from SD_CLKOUT rising edge	$t_{sddqh}$	1.38	—	—	ns
SD_DATA valid setup to SD_CLKIN rising edge	$t_{sddsu}$	1.3	—	—	ns
SD_DATA valid hold to SD_CLKIN rising edge	$t_{sddh}$	2.1	—	—	ns
SD_CLKOUT rising edge to ADDRn valid	$t_{sdav}$	—	3.8	—	ns

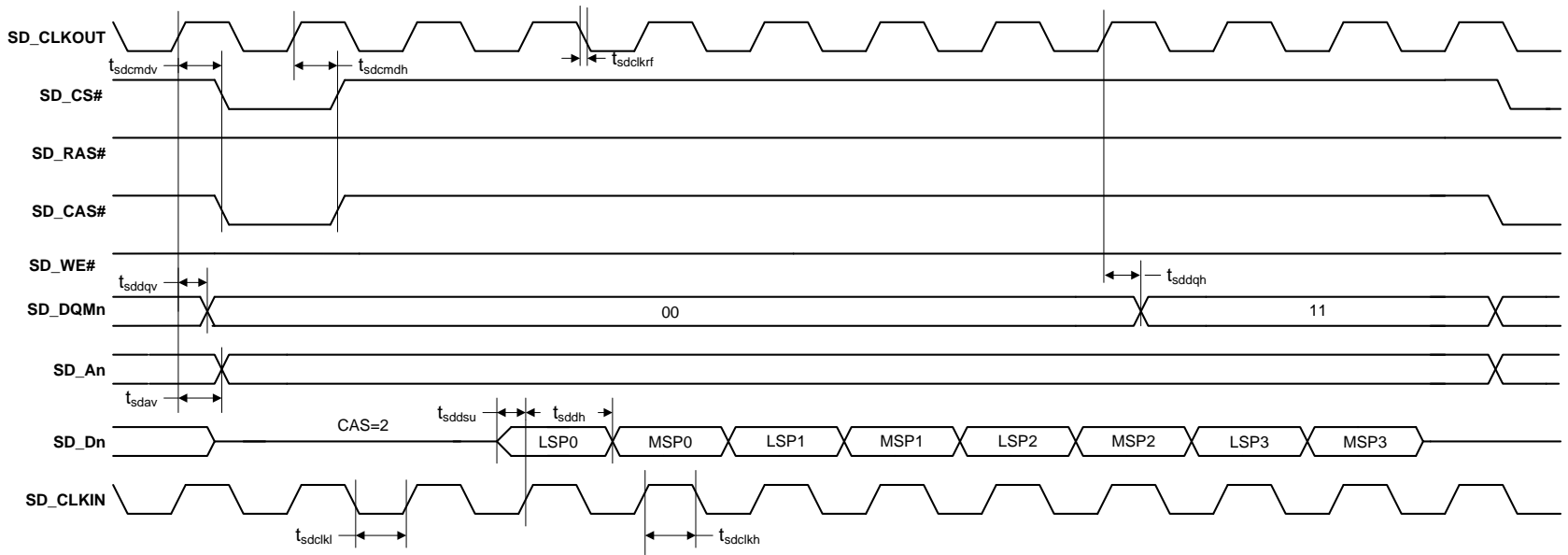


Figure 15. External Memory Interface - SDRAM Burst Read Cycle

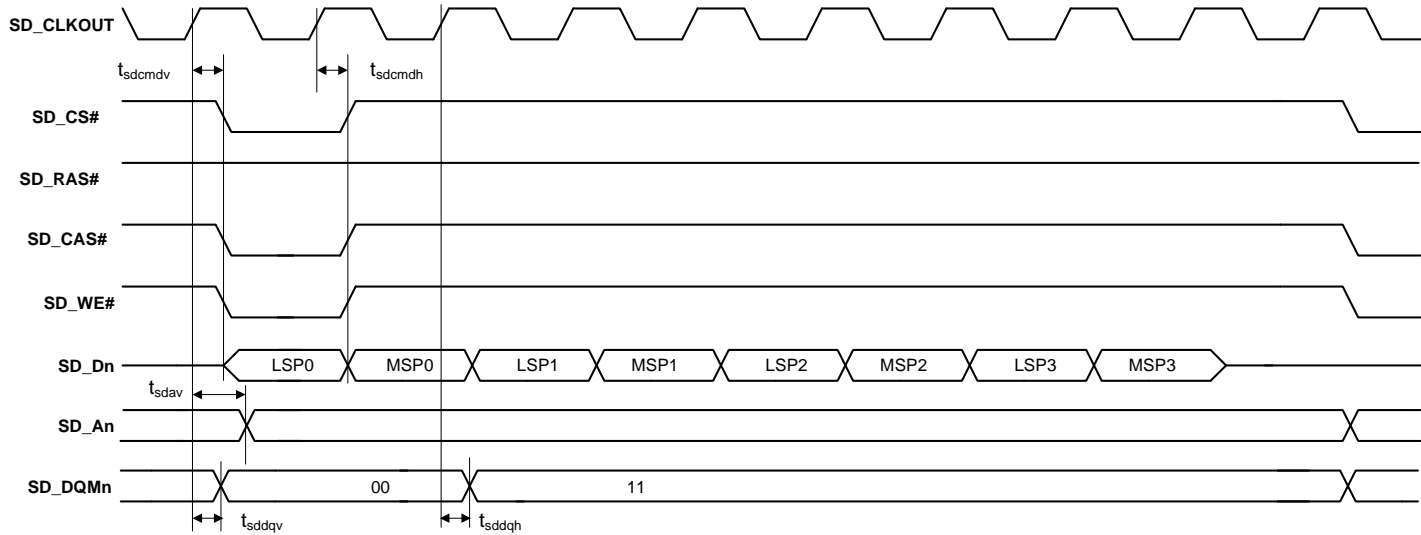


Figure 16. External Memory Interface - SDRAM Burst Write Cycle

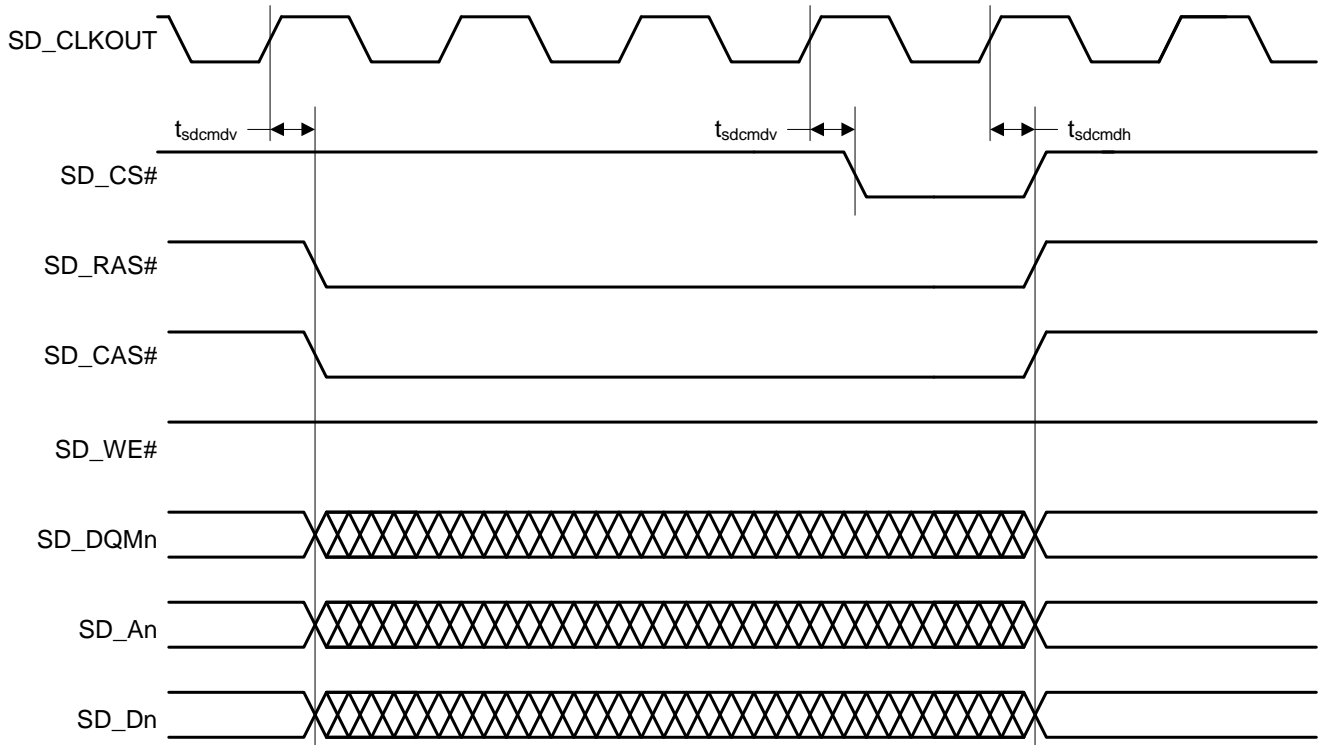
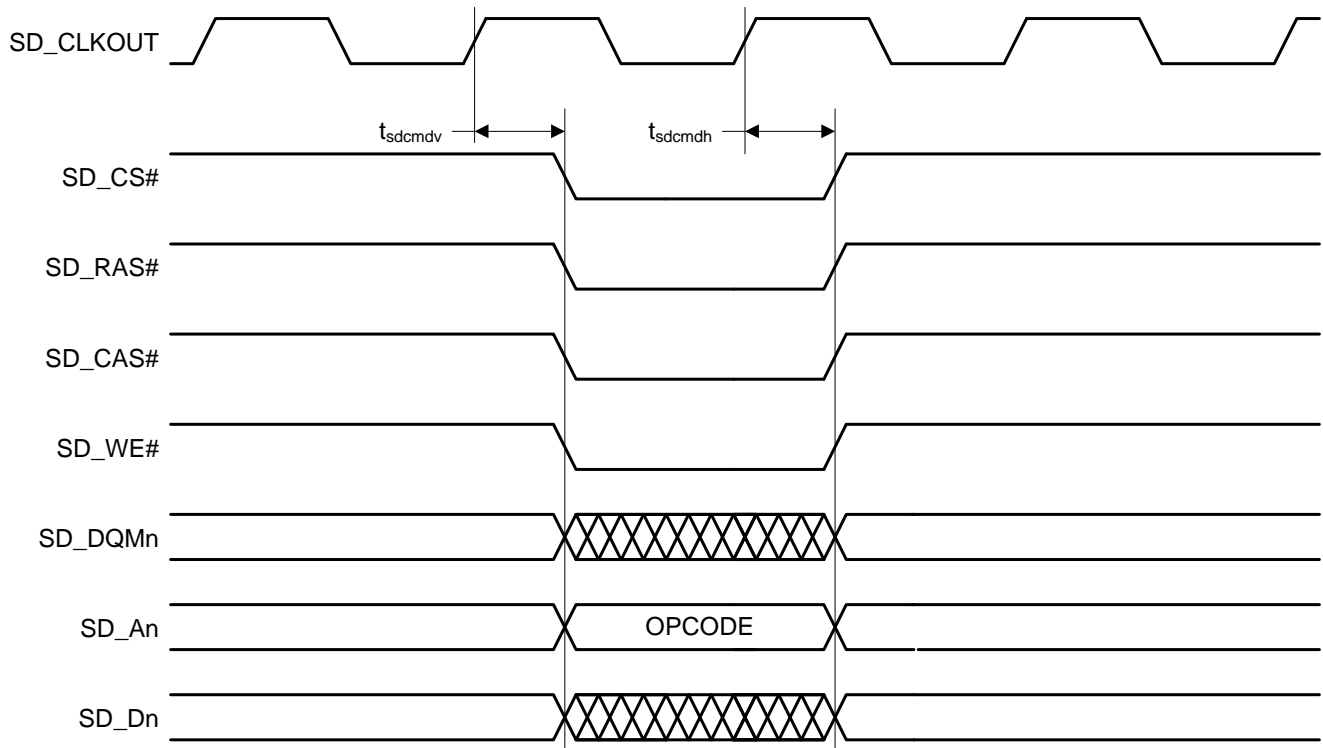


Figure 17. External Memory Interface - SDRAM Auto Refresh Cycle



**Figure 18. External Memory Interface - SDRAM Load Mode Register Cycle**

## 6 Ordering Information

The CS4970x4 family part number is described as follows:

CS497NNI-XYZ

where

NN - Product Number Variant

I - ROM ID Number

X - Product Grade

Y - Package Type

Z - Lead (Pb) Free

**Table 4. Ordering Information**

Part No.	Status	Grade	Temp. Range	Package
CS497014-CVZ	Active	Commercial	0 to +70 °C	128-pin LQFP
CS47014-CVZR <sup>1</sup>	Active	Commercial	0 to +70 °C	
CS497024-CVZ	Active	Commercial	0 to +70 °C	128-pin LQFP
CS497024-CVZR <sup>1</sup>	Active	Commercial	0 to +70 °C	

1. R = Tape and reel

**Note:** Please contact the factory for availability of the -D (automotive grade) package.

## 7 Environmental, Manufacturing, and Handling Information

**Table 5. Environmental, Manufacturing, & Handling Information**

Model Number	Peak Reflow Temp	MSL Rating*	Max Floor Life
CS497014-CVZ	260 °C	3	7 Days
CS47014-CVZR	260 °C	3	7 Days
CS497024-CVZ	260 °C	3	7 Days
CS497024-CVZR	260 °C	3	7 Days

\* MSL (Moisture Sensitivity Level) as specified by IPC/JEDEC J-STD-020.

## 8 Device Pin-Out Diagram

### 8.1 128-Pin LQFP Pin-Out Diagram

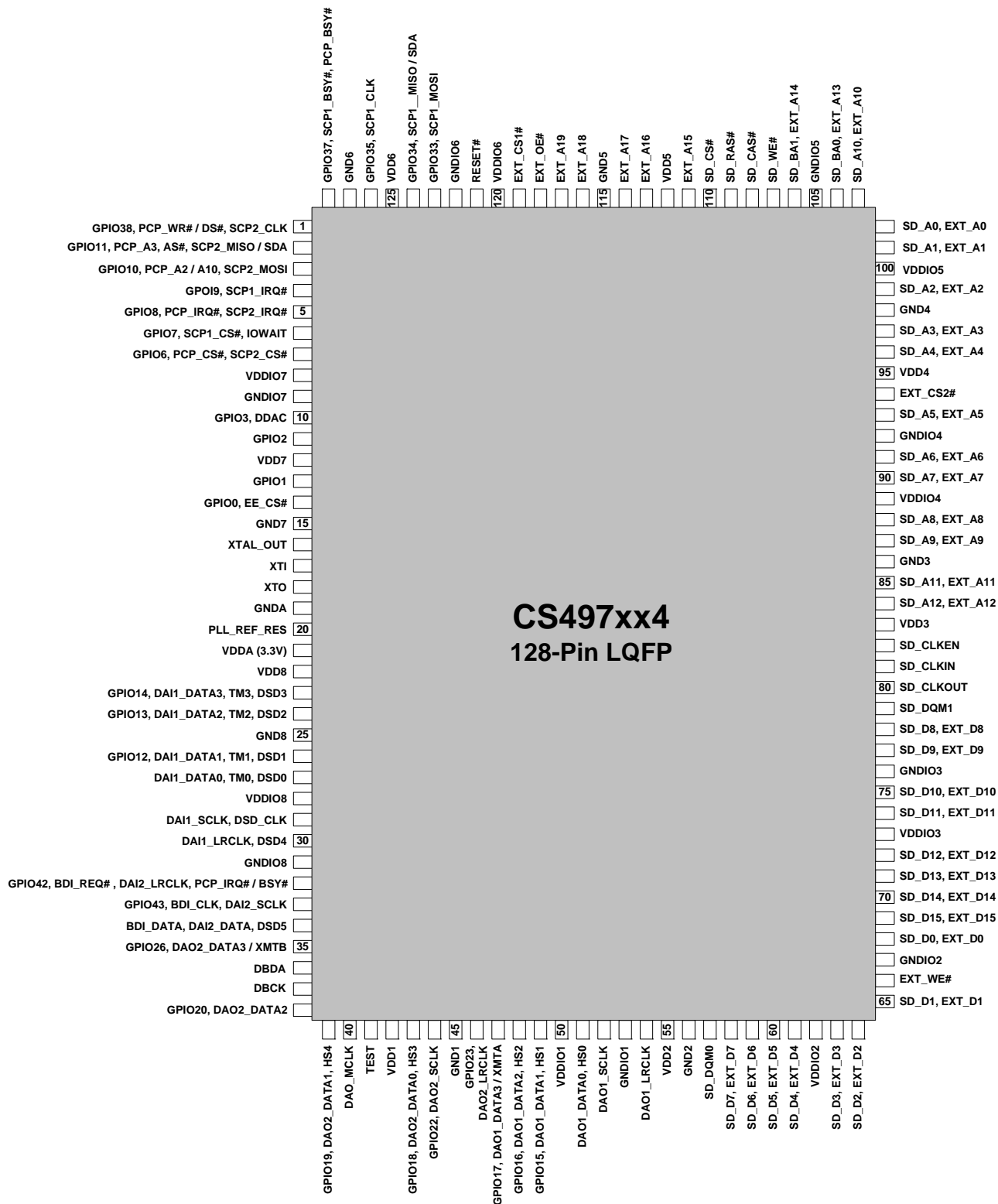


Figure 19. 128-Pin LQFP Pin-Out Diagram

## 9 Package Mechanical Drawings

### 9.1 128-Pin LQFP Package Drawing

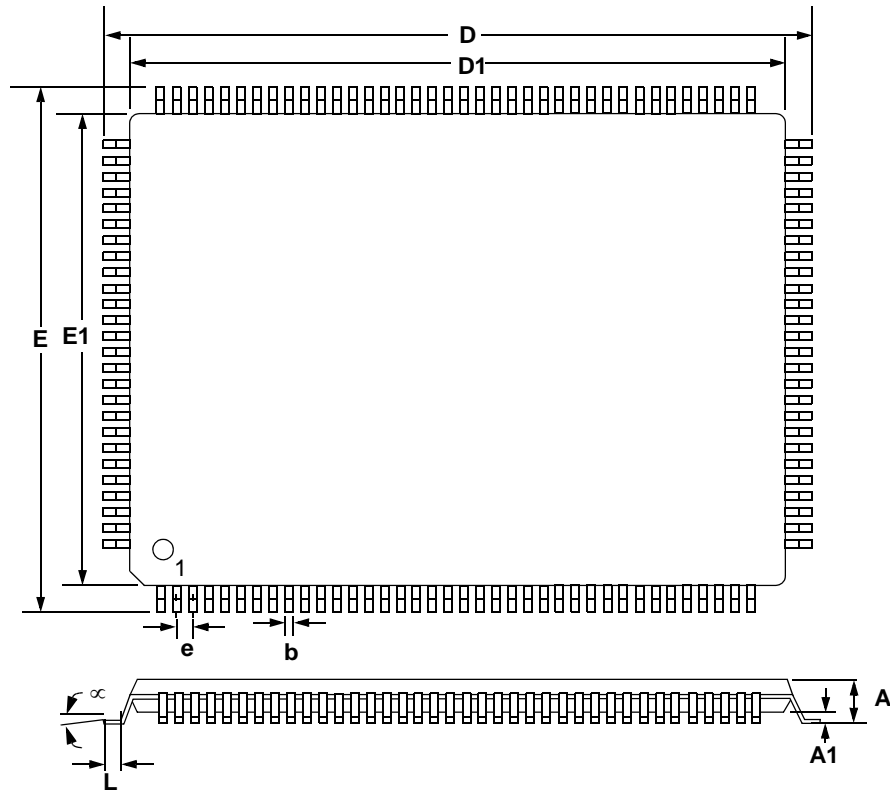


Figure 20. 128-Pin LQFP Package Drawing

Table 6. 128-Pin LQFP Package Characteristics

DIM	MILLIMETERS			INCHES		
	MIN	NOM	MAX	MIN	NOM	MAX
A	—	—	1.60	—	—	.063"
A1	0.05	—	0.15	.002"	—	.006"
b	0.17	0.22	0.27	.007"	.009"	.011"
D	22.00 BSC			.866"		
D1	20.00 BSC			.787"		
E	16.00 BSC			.630"		
E1	14.00 BSC			.551"		
e	0.50 BSC			.020"		
q	0°	3.5	7°	0°	3.5	7°
L	0.45	0.60	0.75	.018"	.024"	.030"
L1	1.00 REF			.039" REF		
<b>TOLERANCES OF FORM AND POSITION</b>						
ddd	0.08			.003"		



## 10 Revision History

Revision	Date	Changes
PP9	November, 2010	Added "Status" column and footnote 1 to <a href="#">Table 4</a> .
PP10	March, 2011	Added Tj conditions to <a href="#">Section 5.2</a> . Changed 500 ma to 350 ma in <a href="#">Section 5.4</a> . Updated <a href="#">Section 5.15 "Switching Characteristics — Digital Audio Slave Input Port"</a> on <a href="#">page 21</a> . Updated <a href="#">Section 5.16 "Switching Characteristics — Digital Audio Output Port"</a> on <a href="#">page 22</a> .
PP11	February, 2012	Added max internal DCLK frequency and min internal DCLK period to <a href="#">Section 5.8</a> . Added notes to <a href="#">Section 5.9</a> . Updated tspickl and tspickh values in <a href="#">Section 5.10</a> . Updated tdaosdv max value in <a href="#">Section 5.16</a> .
PP12	October, 2013	Updated note in <a href="#">Section 2</a> overview. Minor change to <a href="#">Section 2.1</a> title.
F1	February, 2014	Updated note in <a href="#">Section 2</a> overview regarding CS4970x4. Changed status of CS497024-CVZ and CS497024-CVZR to "Active" in <a href="#">Table 4</a> .

---

## Contacting Cirrus Logic Support

For all product questions and inquiries, contact a Cirrus Logic Sales Representative.

To find the one nearest you, go to [www.cirrus.com](http://www.cirrus.com).

---

### IMPORTANT NOTICE

Cirrus Logic, Inc. and its subsidiaries ("Cirrus") believe that the information contained in this document is accurate and reliable. However, the information is subject to change without notice and is provided "AS IS" without warranty of any kind (express or implied). Customers are advised to obtain the latest version of relevant information to verify, before placing orders, that information being relied on is current and complete. All products are sold subject to the terms and conditions of sale supplied at the time of order acknowledgment, including those pertaining to warranty, indemnification, and limitation of liability. No responsibility is assumed by Cirrus for the use of this information, including use of this information as the basis for manufacture or sale of any items, or for infringement of patents or other rights of third parties. This document is the property of Cirrus and by furnishing this information, Cirrus grants no license, express or implied under any patents, mask work rights, copyrights, trademarks, trade secrets or other intellectual property rights. Cirrus owns the copyrights associated with the information contained herein and gives consent for copies to be made of the information only for use within your organization with respect to Cirrus integrated circuits or other products of Cirrus. This consent does not extend to other copying such as copying for general distribution, advertising or promotional purposes, or for creating any work for resale.

CERTAIN APPLICATIONS USING SEMICONDUCTOR PRODUCTS MAY INVOLVE POTENTIAL RISKS OF DEATH, PERSONAL INJURY, OR SEVERE PROPERTY OR ENVIRONMENTAL DAMAGE ("CRITICAL APPLICATIONS"). CIRRUS PRODUCTS ARE NOT DESIGNED, AUTHORIZED OR WARRANTED FOR USE IN PRODUCTS SURGICALLY IMPLANTED INTO THE BODY, AUTOMOTIVE SAFETY OR SECURITY DEVICES, LIFE SUPPORT PRODUCTS OR OTHER CRITICAL APPLICATIONS. INCLUSION OF CIRRUS PRODUCTS IN SUCH APPLICATIONS IS UNDERSTOOD TO BE FULLY AT THE CUSTOMER'S RISK AND CIRRUS DISCLAIMS AND MAKES NO WARRANTY, EXPRESS, STATUTORY OR IMPLIED, INCLUDING THE IMPLIED WARRANTIES OF MERCHANTABILITY AND FITNESS FOR PARTICULAR PURPOSE, WITH REGARD TO ANY CIRRUS PRODUCT THAT IS USED IN SUCH A MANNER. IF THE CUSTOMER OR CUSTOMER'S CUSTOMER USES OR PERMITS THE USE OF CIRRUS PRODUCTS IN CRITICAL APPLICATIONS, CUSTOMER AGREES, BY SUCH USE, TO FULLY INDEMNIFY CIRRUS, ITS OFFICERS, DIRECTORS, EMPLOYEES, DISTRIBUTORS AND OTHER AGENTS FROM ANY AND ALL LIABILITY, INCLUDING ATTORNEYS' FEES AND COSTS, THAT MAY RESULT FROM OR ARISE IN CONNECTION WITH THESE USES.

Cirrus Logic, Cirrus, Cirrus Logic logo designs, Cirrus Framework, and DSP Condenser are trademarks of Cirrus Logic, Inc. All other brand and product names in this document may be trademarks or service marks of their respective owners.

THX is a registered trademark of THX, Ltd. THX Select 2 and THX Ultra 2 are trademarks of THX, Ltd.

Dolby, Dolby Digital, Dolby Headphone, Virtual Speaker, Pro Logic, Audistry, and Dolby Volume are registered trademarks of Dolby Laboratories, Inc. AAC, AC-3, Dolby TrueHD, and Dolby Volume 258 are trademarks of Dolby Laboratories, Inc. Supply of an implementation of Dolby Technology does not convey a license nor imply a right under any patent, or any other industrial or Intellectual Property Right of Dolby Laboratories, to use the Implementation in any finished end-user or ready-to-use final product. It is hereby notified that a license for such use is required from Dolby Laboratories.

DTS and DTS Neo:6 are registered trademarks of the Digital Theater Systems, Inc. DTS-ES 96/24, DTS-ES, DTS 6.1, DTS 96/24, DTS Neural Surround, and DTS Express are trademarks of Digital Theater Systems, Inc. It is hereby notified that a third-party license from DTS is necessary to distribute software of DTS in any finished end-user or ready-to-use final product.

SRS, SRS 3D, SRS CS Auto, SRS CS Headphone, SRS Circle Cinema 3D, SRS Circle Surround, SRS Circle Surround II, SRS GEQ, SRS Hardlimiter, SRS Headphone, SRS Headphone 360, SRS HPF, SRS StudioSound HD, SRS TruEQ, SRS TruMedia, SRS TruSurround, SRS TruSurround XT, SRS TruSurround HD, SRS TruSurround HD4, SRS TruVolume, SRS VIP+, SRS WOW, SRS WOW XT, SRS WOW HD are either trademarks or registered trademarks of SRS Labs, Inc. SRS, SRS 3D, SRS CS Auto, SRS CS Headphone, SRS Circle Cinema 3D, SRS Circle Surround, SRS Circle Surround II, SRS GEQ, SRS Hardlimiter, SRS Headphone, SRS Headphone 360, SRS HPF, SRS StudioSound HD, SRS TruEQ, SRS TruMedia, SRS TruSurround, SRS TruSurround XT, SRS TruSurround HD, SRS TruSurround HD4, SRS TruVolume, SRS VIP+, SRS WOW, SRS WOW XT, SRS WOW HD technologies are incorporated under license from SRS Labs, Inc. SRS, SRS 3D, SRS CS Auto, SRS CS Headphone, SRS Circle Cinema 3D, SRS Circle Surround, SRS Circle Surround II, SRS GEQ, SRS Hardlimiter, SRS Headphone, SRS Headphone 360, SRS HPF, SRS StudioSound HD, SRS TruEQ, SRS TruMedia, SRS TruSurround, SRS TruSurround XT, SRS TruSurround HD, SRS TruSurround HD4, SRS TruVolume, SRS VIP+, SRS WOW, SRS WOW XT, SRS WOW HD technologies incorporated in the Cirrus Logic CS4953xx products are owned by SRS Labs, a U.S. Corporation and licensed to Cirrus Logic, Inc. Purchaser of Cirrus Logic CS4953xx products must sign a license for use of the chip and display of the SRS Labs trademarks. Any products incorporating the Cirrus Logic CS4953xx products must be sent to SRS Labs for review. SRS, SRS 3D, SRS CS Auto, SRS CS Headphone, SRS Circle Cinema 3D, SRS Circle Surround, SRS Circle Surround II, SRS GEQ, SRS Hardlimiter, SRS Headphone, SRS Headphone 360, SRS HPF, SRS Studio-Sound HD, SRS TruEQ, SRS TruMedia, SRS TruSurround, SRS TruSurround XT, SRS TruSurround HD, SRS TruSurround HD4, SRS TruVolume, SRS VIP+, SRS WOW, SRS WOW XT, SRS WOW HD technologies are protected under US and foreign patents issued and/or pending. Neither the purchase of the Cirrus Logic CS4953xx products, nor the corresponding sale of audio enhancement equipment conveys the right to sell commercialized recordings made with any SRS technology/solution. SRS Labs requires all set makers to comply with all rules and regulations as outlined in the SRS Trademark Usage Manual.

Motorola is a registered trademark of Motorola, Inc. SPI is a trademark of Motorola, Inc.

Intel is a registered trademark of Intel Corporation.

I<sup>2</sup>C is a trademark of Philips Semiconductor.