

NOTES:

1. MATERIAL AND FINISH:

BODY - BRASS, GOLD PLATING  
 CONTACT - BRASS, GOLD PLATING  
 INSULATOR - PTFE, NATURAL

2. ELECTRICAL:

- A. IMPEDANCE: 50 OHM
- B. FREQUENCY RANGE: DC - 10 GHz
- C. RETURN LOSS: 30 dB MIN. DC - 4 GHz  
 25 dB MIN. 4 - 6 GHz
- D. INSERTION LOSS:  $0.05X\sqrt{f(\text{GHz})}$  dB MAX.
- E. DIELECTRIC WITHSTANDING VOLTAGE: 1000VRMS. MIN.
- F. POWER HANDLING: 200 W MAX. @ 2.2 GHz AT 20°C
- G. INTERMODULATION(3rd order): -160 dBc Max. @ 2X20W

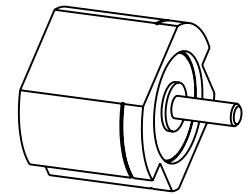
3. MECHANICAL:

- A. DURABILITY: 500 CYCLES MIN.
- B. TEMPERATURE RANGE: -65°C TO +165°C

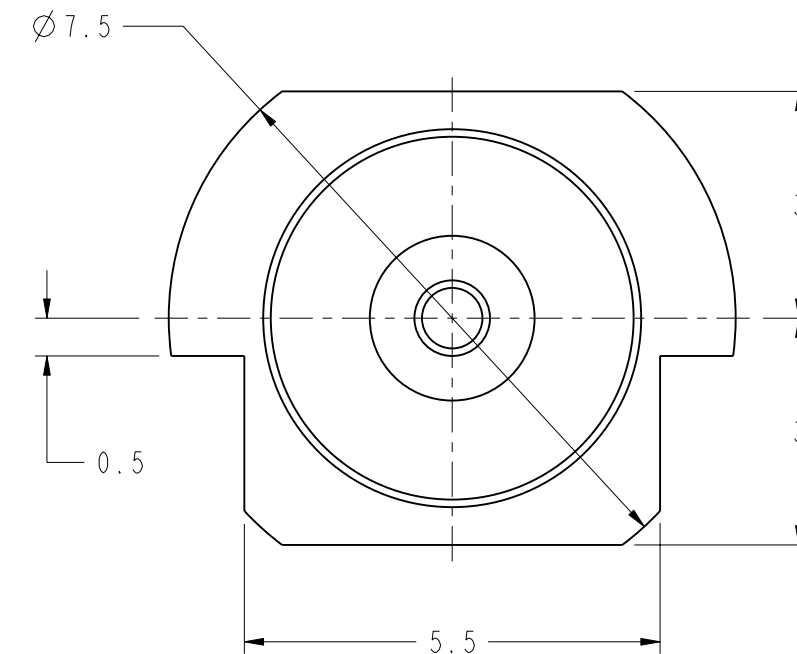
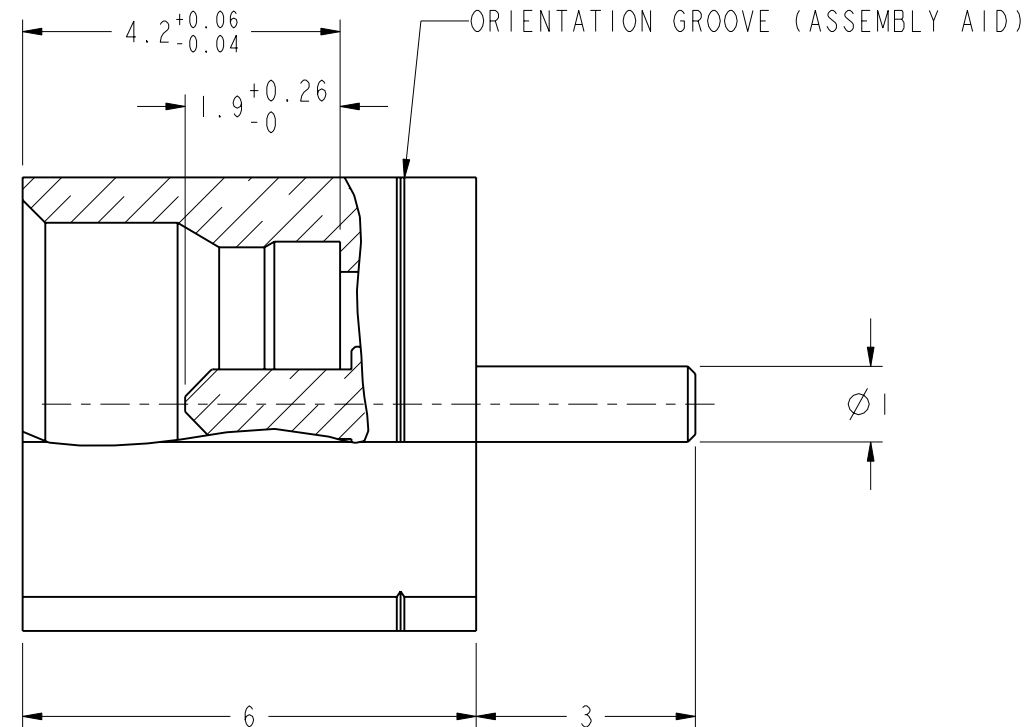
THIRD ANGLE PROJ.

REVISIONS

REV	DESCRIPTION	DATE	ECO	APPR
A	RELEASE TO MFG	17-Apr-13		RS
B	TITLE WAS CHANGED, ADDED PART NO. PSMP-MSLD-PCE	19-Nov-15	50842	BCG



SCALE 3.000



**CUSTOMER OUTLINE DRAWING**

ALL OTHER SHEETS ARE FOR INTERNAL USE ONLY

UNLESS OTHERWISE SPECIFIED, DIMENSIONS ARE IN METRIC AND TOLERANCES ARE:  
 <0.5mm ±0.05mm    0.5 - 6mm ±0.1mm    6 - 30mm ±0.2mm    30 - 120mm ±0.3mm    ANGLES ±1°

NOTICE - These drawings, specifications, or other data (1) are, and remain the property of Amphenol corp. (2) must be returned upon request; and (3) are confidential and not to be disclosed to any person other than those to whom they are given by Amphenol Corp. the finishing of these drawings, specifications, or other data by Amphenol Corp., or to any other person to anyone for any purpose is not to be regarded by implication or otherwise in any manner licensing, granting rights to permitting such holder or any other person to manufacture, use or sell any product, process or design, patented or otherwise, that may in any way be related to or disclosed by said drawings, specifications, or other data.

MATERIAL	DRAWN	DATE	TITLE	Amphenol RF Danbury CT USA, Tainan, Taiwan, Shenzhen, China www.amphenolrf.com	
	STAMN	20-Nov-15			POWER-SMP, MALE LIMITED DETENT PCB
	REFERENCE	ENGINEER	DATE		DRAWING NO. PSMP125ISI-001-8GPAT8GPA-50
		R.CHEN	17-Apr-13		ITEM NO. 671251AAAA12P5F
	APPROVED	DATE	SCALE: 10.0:1.0   SHEET 2 OF 2	PART NO. PSMP-MSLD-PCE	
FINISH	S.HSIEH	20-Nov-15	DWG SIZE B	REV B	
	I:\POWER-SMP\PSMP125ISI-001-8GPAT8GPA-50				