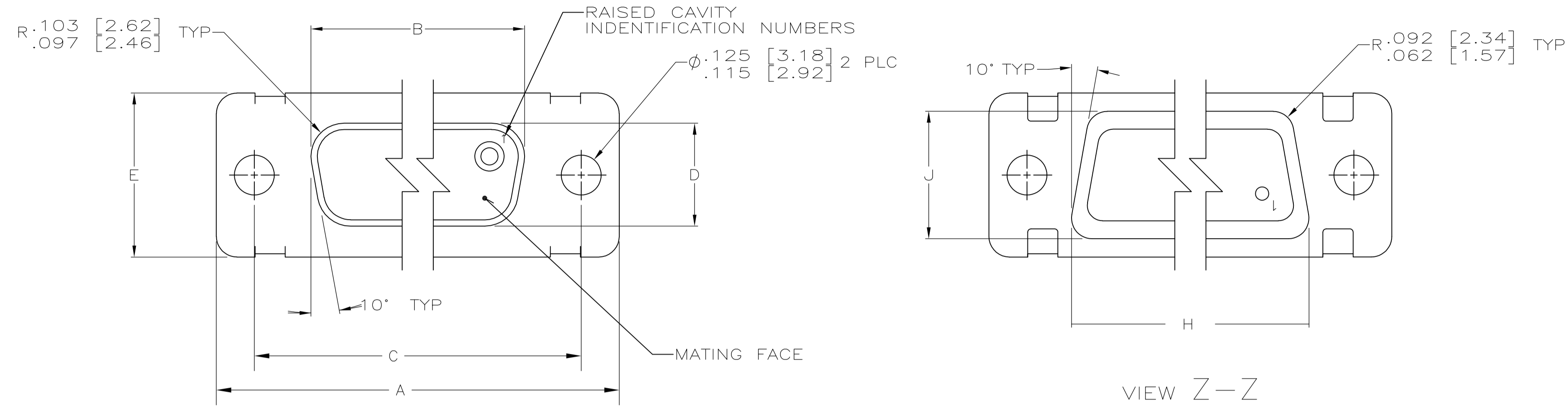
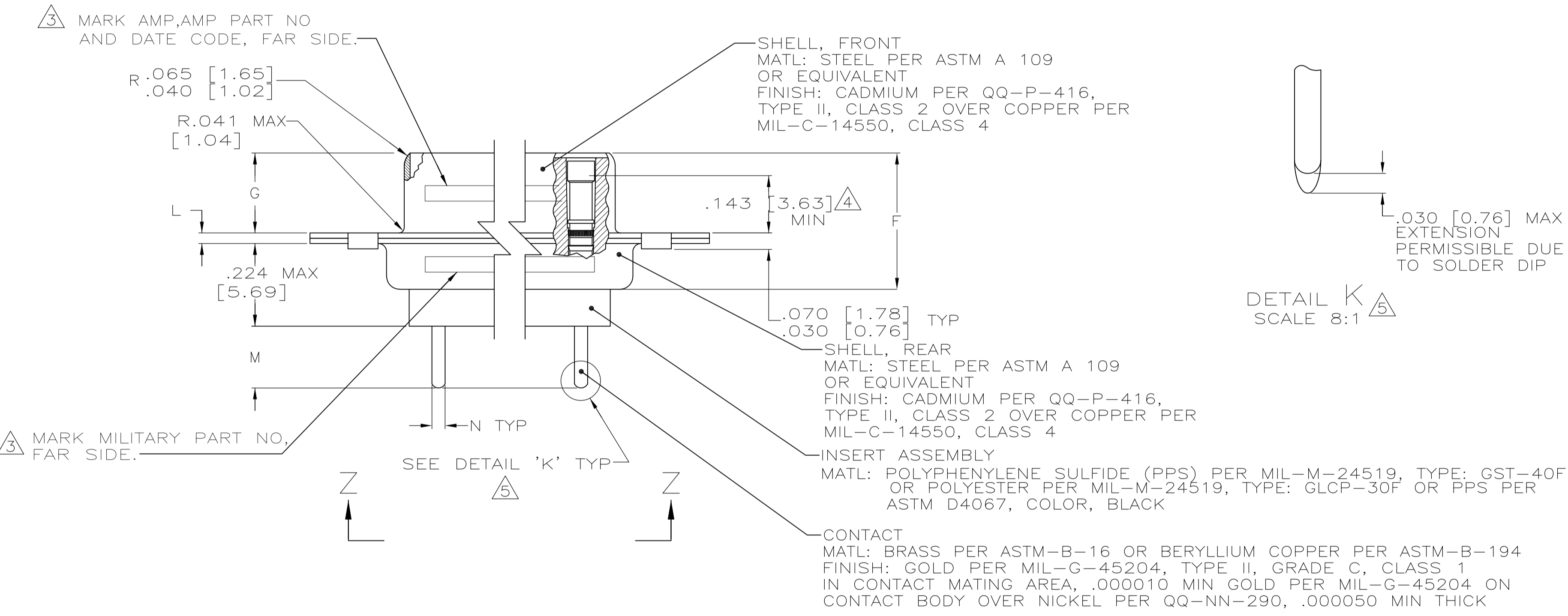


REVISONS		DATE	DMN	APVO
LOC	DIST			
D	REV PER ECO-15-017641	29DEC15	KG	CD



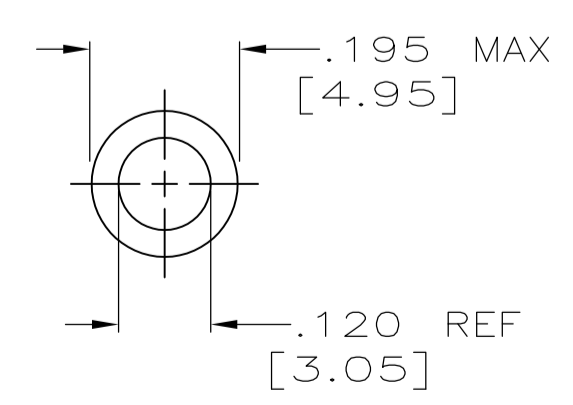
- SEE SHEET 2 FOR RECOMMENDED P.C. BOARD LAYOUT. TRUE POSITION TOLERANCE FOR P.C. BOARD LAYOUT IS .010 [0.25] AT MAX MATERIAL CONDITION. SUGGESTED BOARD THICKNESS IS .125 [3.18]
- THE CONNECTORS DESCRIBED IN THIS DOCUMENT MEET THE REQUIREMENTS OF MIL-C-24308 AND MATE WITH ANY PLUG CONNECTOR WITH SAME INSERT ARRANGEMENT.
- MARK WITH .047 [1.19]-.062 [1.57] HIGH CHARACTERS. FAR SIDE REFERS TO THE WIDE SIDE OF THE KEYSTONE. NEAR SIDE REFERS TO THE NARROW SIDE OF THE KEYSTONE. IF THE REAR SHELL IS TOO SMALL FOR THE ENTIRE MILITARY PART NUMBER, MARKING SHALL BE LOCATED AS FOLLOWS:
 - "M24308" ON FRONT SHELL, FAR SIDE.
 - SLASH SHEET AND DASH NUMBER ON REAR SHELL, FAR SIDE.
 - "AMP" AND DATE CODE ON FRONT SHELL, NEAR SIDE.
 - AMP PART NUMBER ON REAR SHELL, NEAR SIDE.
 IF THE FRONT SHELL IS TOO SMALL FOR "AMP", AMP PART NUMBER AND DATE CODE, THEN SPLIT AS FOLLOWS:
 - AMP PART NUMBER ON REAR SHELL, NEAR SIDE.
 - "AMP" AND DATE CODE ON FRONT SHELL, NEAR SIDE.
 - MILITARY PART NUMBER ON REAR SHELL, FAR SIDE.



DETAIL K SCALE 8:1

- POINT OF ELECTRICAL ENGAGEMENT - AS MEASURED WITH A .0390 [0.991]-.0393 [0.998] DIA SQUARE ENDED TEST PIN.
- SOLDER DIP PER MIL-STD-2000 COMPOSITION Sn63 CONFORMING TO QQ-S-571. COVERAGE SHALL BE COMPLETE TO A DISTANCE .020 [0.51] MAX FROM INSERT ASSEMBLY.
- THE SOLDER DIP PROCESS IS PERFORMED SUBSEQUENT TO THE COMPLETION OF PRODUCTION OF THE MILITARY QUALIFIED CONNECTOR. DIMENSIONS APPLY PRIOR TO SOLDER DIPPING.
- SPACERS (QTY 2) ARE SUPPLIED WITH CONNECTORS (NOT ATTACHED TO THE CONNECTOR).
- DIMENSIONS AND TOLERANCES PER ANSI Y14.5M-1982.
- THIS DRAWING SHALL BE INTERPRETED IN ACCORDANCE WITH APPLICABLE STANDARDS LISTED IN MIL-STD-100.

N	M	L	J	H	G	F	E	D	C	B	A	INSERT ARRANGEMENT	NO OF POS	SHELL SIZE	MILITARY P/N ON CONNECTOR	AMP P/N ON CONNECTOR	PART NUMBER
.043 [1.09] / .037 [0.94]	.208 [5.28] / .168 [4.27]	.040 [1.02] / .020 [0.51]	.544 [13.82] / .524 [13.31]	2.188 [55.58] / 2.168 [55.07]	.248 [6.30] / .238 [6.05]	.439 [11.15] / .419 [10.64]	.620 [15.75] / .590 [14.99]	.428 [10.87] / .418 [10.62]	2.411 [61.24] / 2.401 [60.99]	2.069 [52.55] / 2.059 [52.30]	2.650 [67.31] / 2.620 [66.55]	MS18277-1	50	5	M24308/23-23F	443978-5	1-443978-0
				2.282 [57.96] / 2.262 [57.45]					2.505 [63.63] / 2.495 [63.37]	2.164 [54.97] / 2.154 [54.71]	2.744 [69.70] / 2.714 [68.94]	MS18276-1	37	4	M24308/23-22F	443978-4	443978-9
			.432 [10.97] / .412 [10.46]	1.635 [41.53] / 1.615 [41.02]			.509 [12.93] / .479 [12.17]	.316 [8.03] / .306 [7.77]	1.857 [47.17] / 1.847 [46.91]	1.516 [38.51] / 1.506 [38.25]	2.103 [53.42] / 2.073 [52.65]	MS18275-1	25	3	M24308/23-21F	443978-3	443978-8
				1.093 [27.76] / 1.073 [27.25]					1.317 [33.45] / 1.307 [33.20]	.976 [24.79] / .966 [24.54]	1.556 [39.52] / 1.526 [38.76]	MS18274-1	15	2	M24308/23-20F	443978-2	443978-7
				.769 [19.53] / .749 [19.02]					.989 [25.12] / .979 [24.87]	.648 [16.46] / .638 [16.21]	1.228 [31.19] / 1.198 [30.43]	MS18273-1	9	1	M24308/23-19F	443978-1	443978-6
												MS18277-1	50	5	M24308/23-23F	443978-5	443978-5
												MS18276-1	37	4	M24308/23-22F	443978-4	443978-4
												MS18275-1	25	3	M24308/23-21F	443978-3	443978-3
												MS18274-1	15	2	M24308/23-20F	443978-2	443978-2
												MS18273-1	9	1	M24308/23-19F	443978-1	443978-1



THIS DRAWING IS A CONTROLLED DOCUMENT.

APPROVED: J.A. BAKER, G. OVER

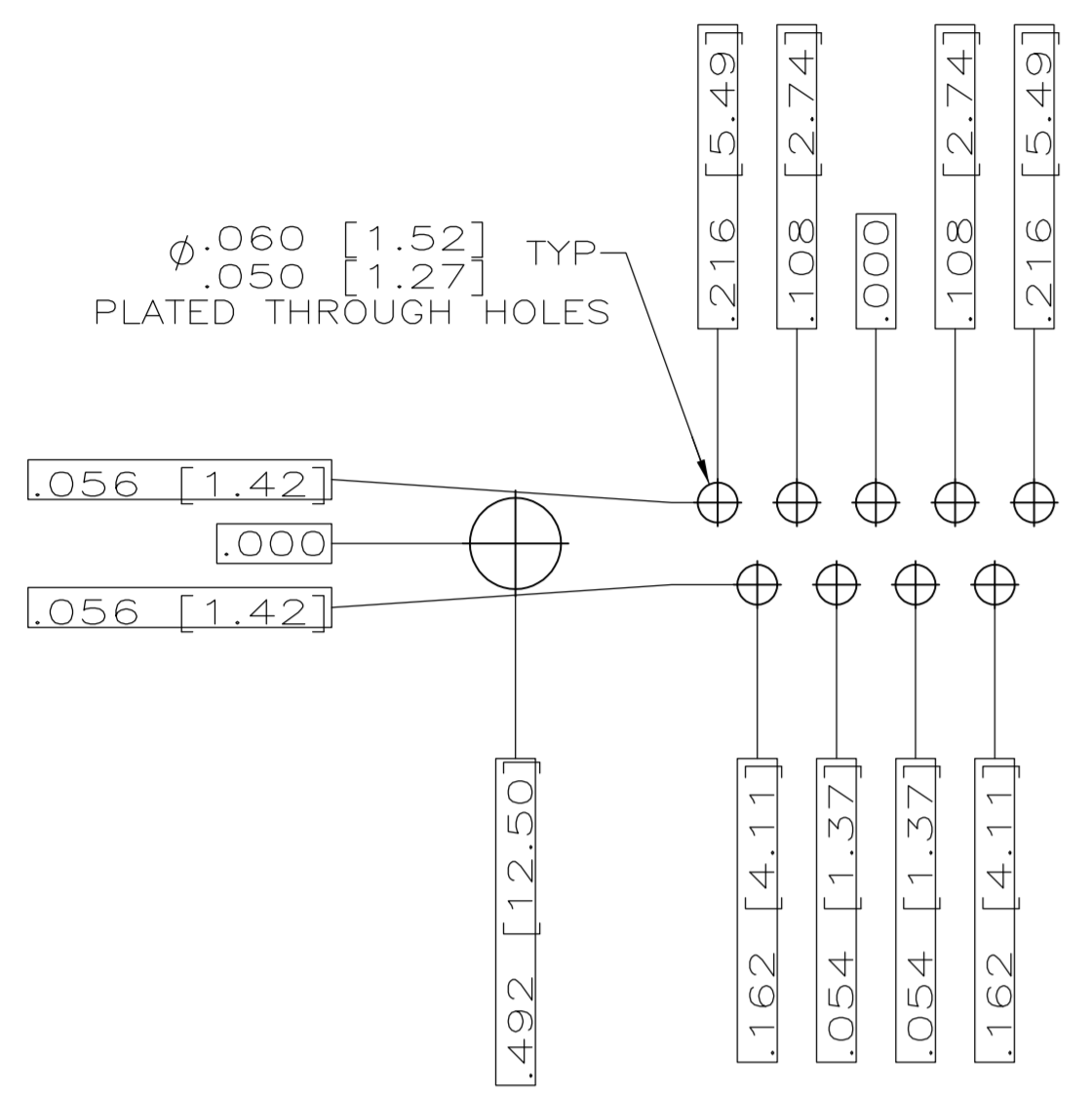
DATE: 15MAY98

NAME: AMPLIMITE RECEPTACLE ASSY W/ SIZE 20 POSTED PC BOARD CONTACTS SERIES 109, SHELL SIZES 1 THRU 5

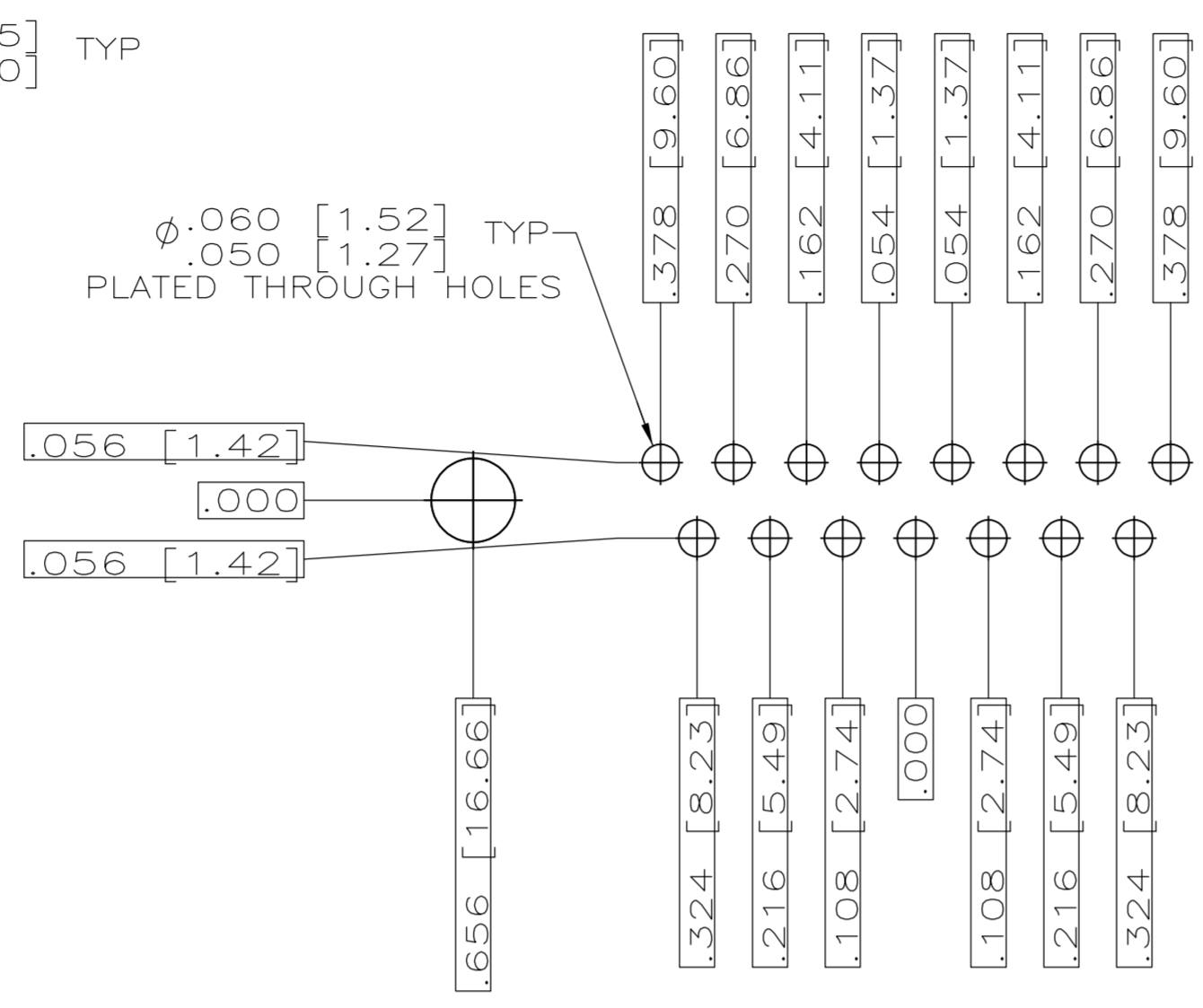
SIZE: A1, CASE CODE: 00779, DRAWING NO: 443978

RESTRICTED TO: CUSTOMER DRAWING

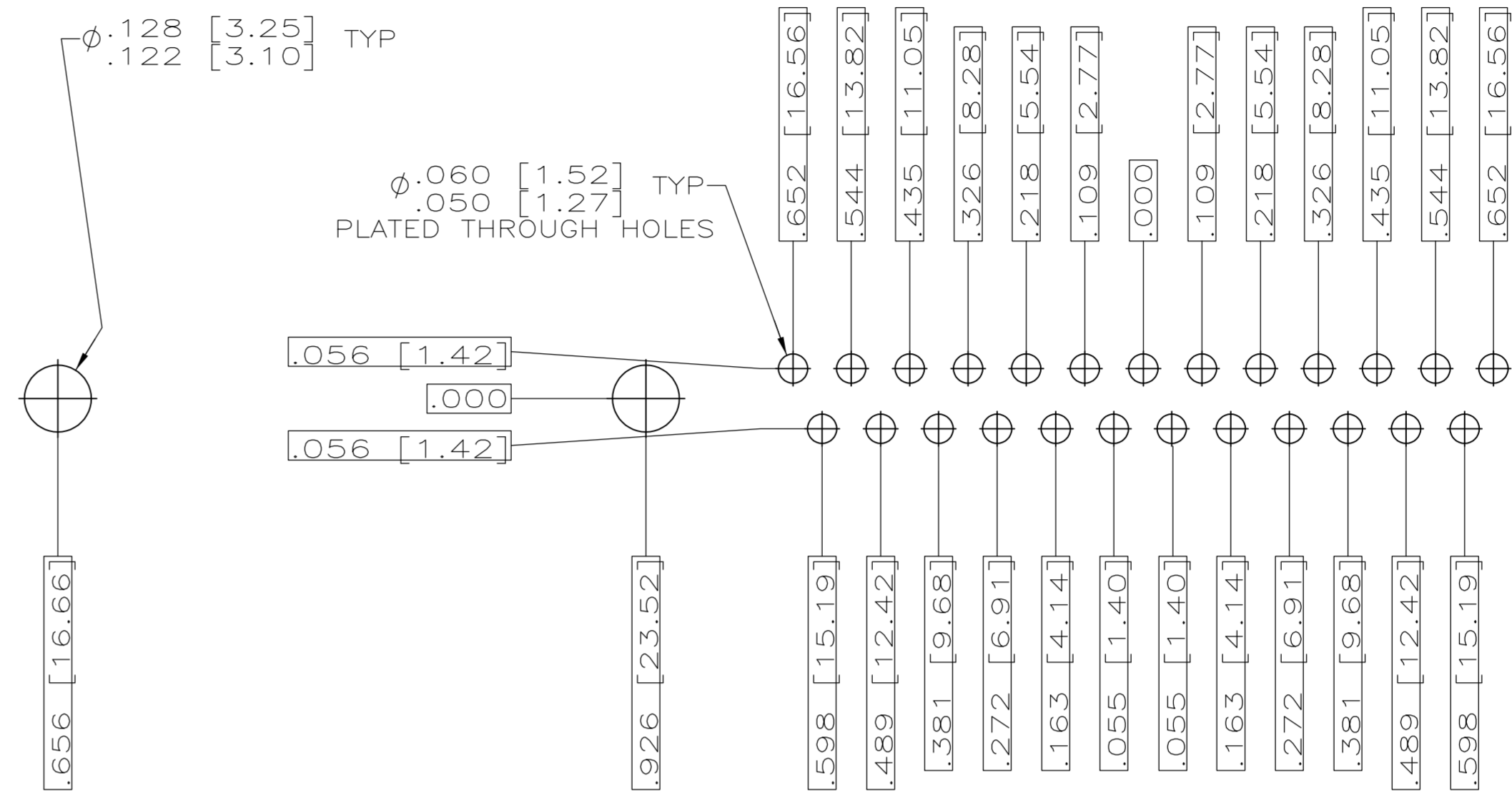
SCALE: 4:1, SHEET: 1 OF 2, REV: D



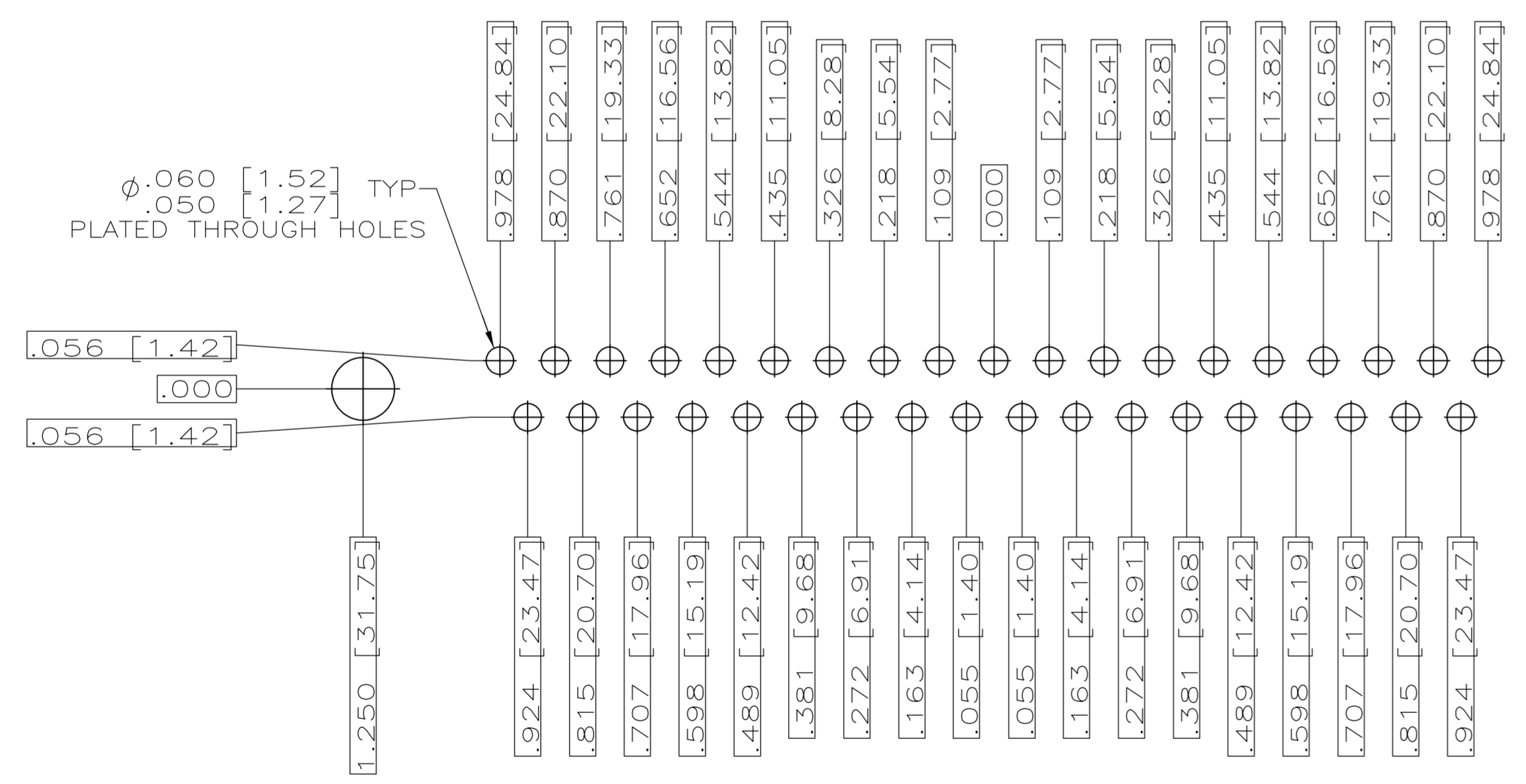
RECOMMENDED P.C. BOARD LAYOUT
 SHELL SIZE 1 (9 POSITION) \triangle



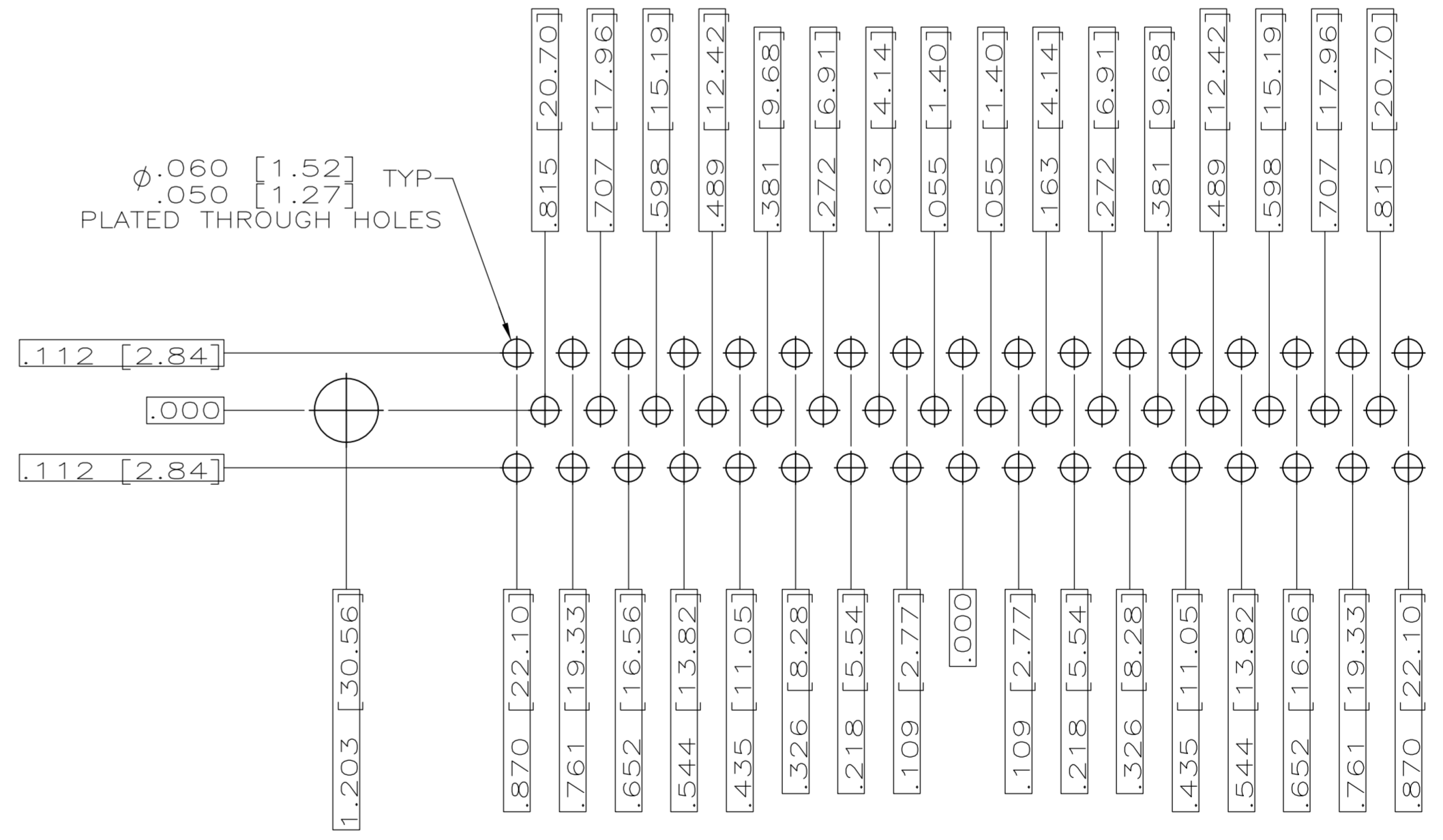
RECOMMENDED P.C. BOARD LAYOUT
 SHELL SIZE 2 (15 POSITION) \triangle



RECOMMENDED P.C. BOARD LAYOUT
 SHELL SIZE 3 (25 POSITION) \triangle



RECOMMENDED P.C. BOARD LAYOUT
 SHELL SIZE 4 (37 POSITION) \triangle



RECOMMENDED P.C. BOARD LAYOUT
 SHELL SIZE 5 (50 POSITION) \triangle

THIS DRAWING IS A CONTROLLED DOCUMENT.		DWG J.A.Baker	05MAY97		TE Connectivity	
DIMENSIONS: INCHES		CHK G. OVER	15MAY98		NAME	
TOLERANCES UNLESS OTHERWISE SPECIFIED:		APVD		PRODUCT SPEC		
0 PLC ± .005		APVD		MIL-C-24308		
1 PLC ± .005		APVD		APPLICATION SPEC		
2 PLC ± .005		APVD		SIZE		
3 PLC ± .005		APVD		CAGE CODE		
4 PLC ± .005		APVD		DRAWING NO		
FINISH		APVD		RESTRICTED TO		
SEE CALLOUTS		APVD		A1 00779		
MATERIAL		APVD		C=443978		
SEE CALLOUTS		APVD		CUSTOMER DRAWING		
		APVD		SCALE 4:1		
		APVD		SHEET 2 OF 2		
		APVD		REV D		