

Series **D XX S 24A 6 XX 12 LF**

Number of contacts
09 , 15 , 25

Contacts
S : Socket

Plating
6 = 500 Mating / Unmating Mini

Packaging specification
Tape & Reel

See Note RoHS

Termination

Code	Type	Foot Print/Pitch	Length of termination	PCB thickness
24A	Straight version	6 / 2.84mm	2	1.6

Mounting Options

RL	Insert M3
RV	Female Screw UNC 4-40
RX	Insert UNC 4-40

NOTE RoHS INFORMATION

- The "LF" product meet european union Directives and other country regulations asdescribed in GS-22-008.
- The housing will withstand exposure to 260° peak temperature for 30 seconds in a convection , infra-red or vapor reflow oven. See application notes/procedures if are available.
- Termination plating spec:1.27µ Nickel mini,2.5 to 7.5µ Sn(pure mate)
- Shell plating : Nickel bright
- Accessories : Sn pure bright
- Packaging spec ; See GS-14-920

Product Specification

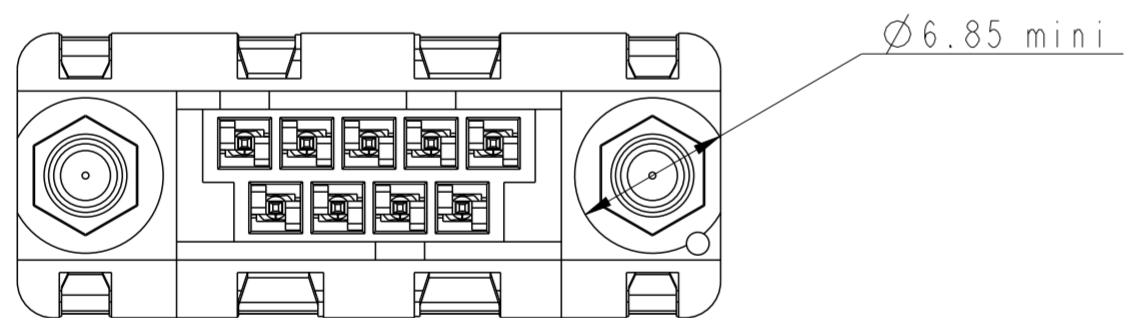
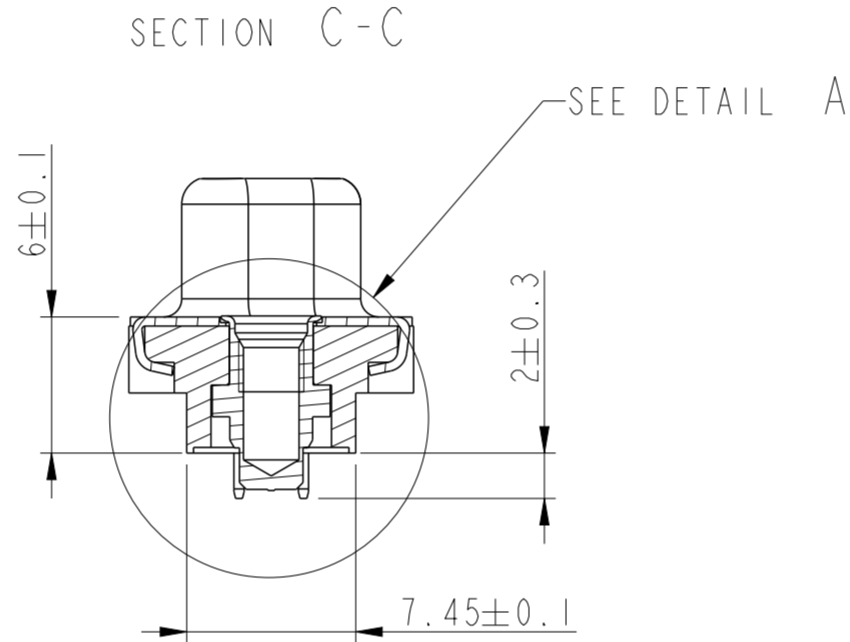
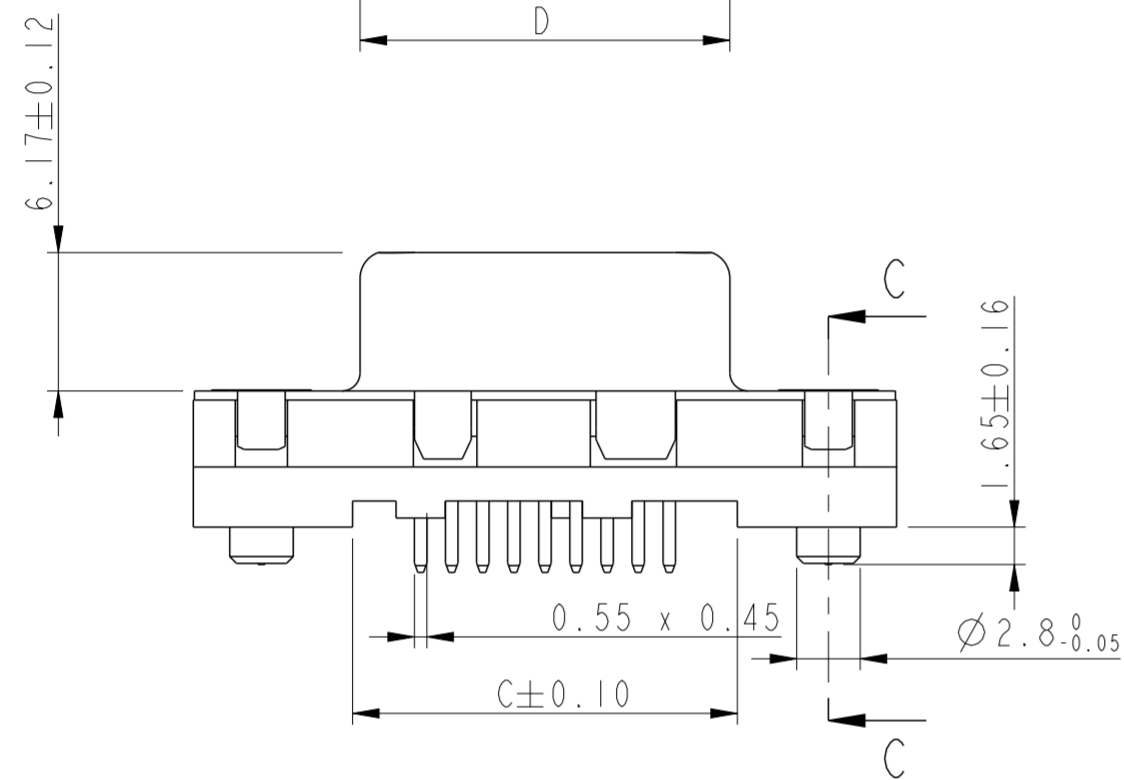
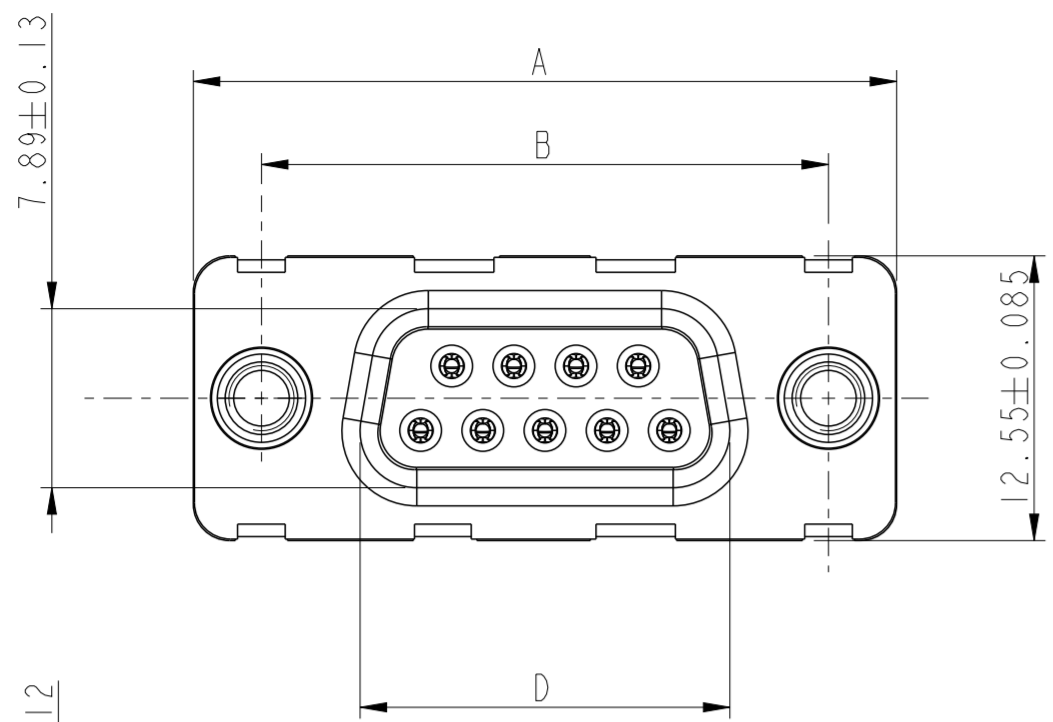
see : GS-12-372

Packaging Specification

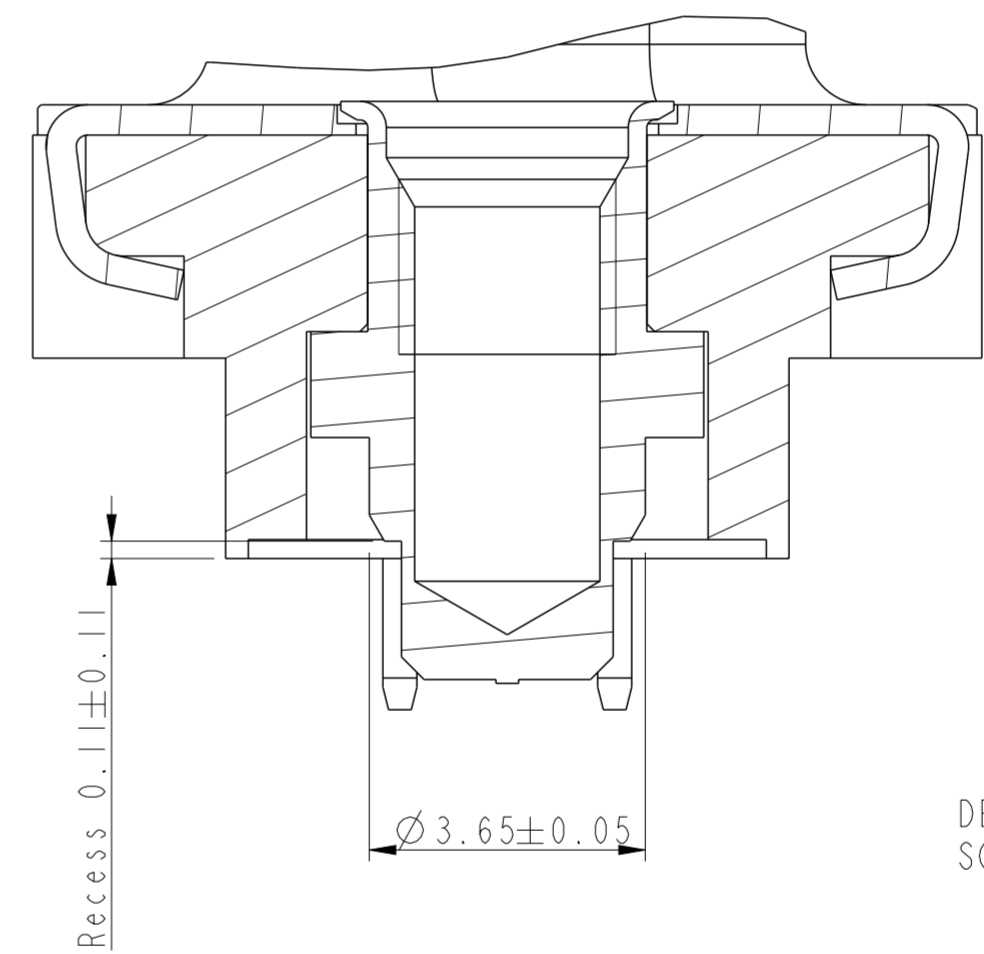
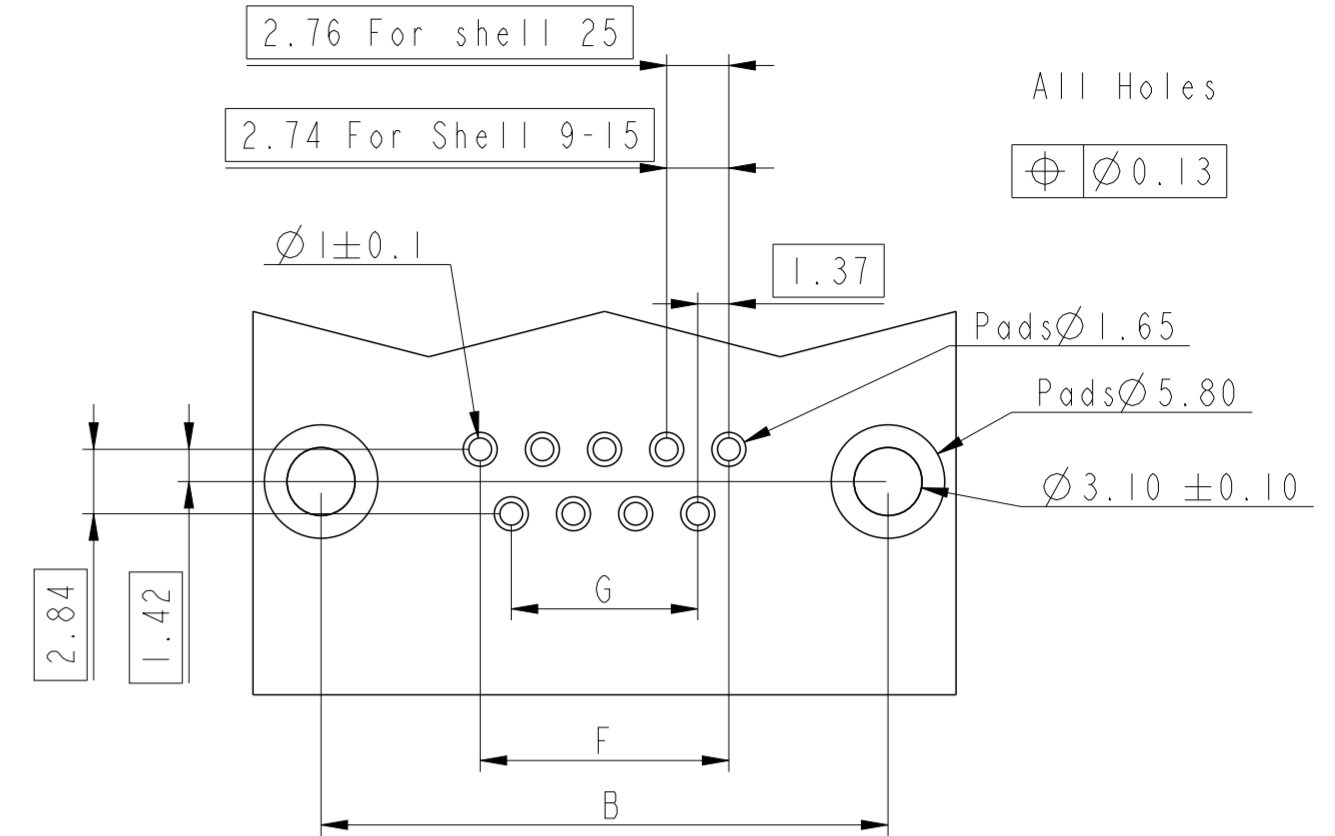
See GS-14-1054

www.fciconnect.com		surface	tolerance std	projection	mm
		ISO 1302	ISO 406 ISO 1101		
TOLERANCES UNLESS OTHERWISE SPECIFIED					
Dr	P. CRON	02/02/06	ANGULAR	size	Scale
Eng	H. LEGALLIC	02/02/06	LINEAR	A3	3:1
Chr	NIRMAL G	2010-10-14	0° ±2°	ECN	110-0197
Appr	SUDHIR V	2010-10-14	Product family	Spec ref	-
FCi		SUB DELTA D PIP FEMALE H=2		dwg no	Rev.
		straight for tape and reel packaging		C01-8646-0877	G
		catalog no	SEE TABLE	CUSTOMER COPY	sheet 1 of 2

ltr	ecn no	dr	date
A	-	HL	02/02/06
B	LS06-0040	PC	23/03/06
C	LS06-0105	HLE	25/07/06
D	LS06-0220	PCR	2006/12/21
E	LS07-0050	HLE	2007/03/02
F	110-0120	NG	2010-05-27
G	110-0197	NG	2010-10-14



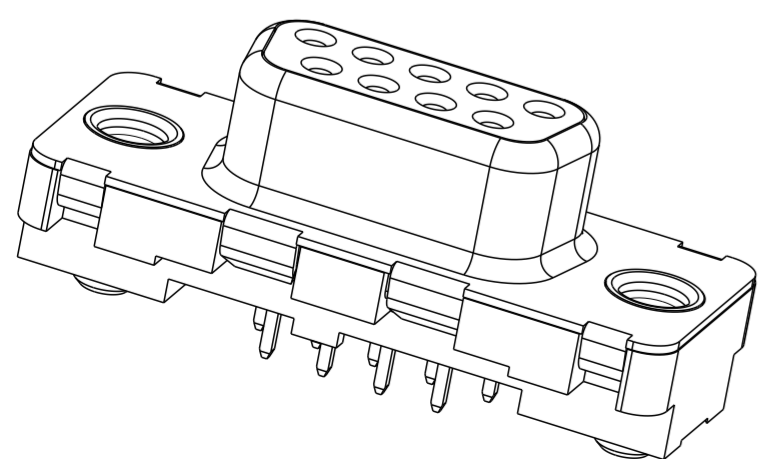
PCB Card Drilling dimensions and Pads recommended (after plating - Thickness : 1.60 mm)



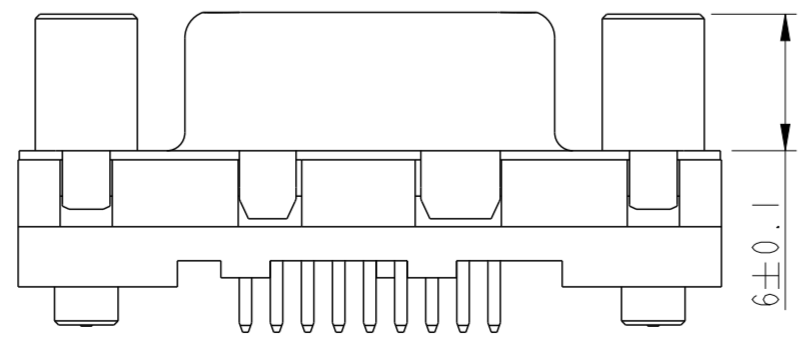
DETAIL A
SCALE 10:1

TRUE POSITIONING : $\oplus \text{Ø} 0.36$

Accessories details



TYPE RX / RL



TYPE RV

SHELL	P/N LEAD FREE	A ±0.38	B ±0.10	C ±0.10	D +0.25 0	F	G
09	D09S24A6xx12LF	30.81	24.99	16.96	16.21	10.96	8.22
15	D15S24A6xx12LF	39.14	33.32	25.18	24.54	19.18	16.44
25	D25S24A6xx12LF	53.03	47.04	39.12	38.25	33.12	30.36

www.fciconnect.com		surface	tolerance std	projection	mm
		ISO 1302	ISO 406 ISO 1101	\oplus	
TOLERANCES UNLESS OTHERWISE SPECIFIED					
Dr	P. CRON	02/02/06	ANGULAR	0.x ±0.3	size A2
Eng	H. LEGALLIC	02/02/06	LINEAR	0.xx ±0.1	Scale 3:1
Chr	NIRMAL G	2010-10-14	0° ±2°	0.xxx ±0.05	ECN 110-0197
Appr	SUDHIR V	2010-10-14	Product family	-	Spec ref
FCJ		SUB DELTA D PIP FEMALE H=2		Rev. G	
		straight for tape and reel packaging		C01-8646-0877	
		catalog no		SEE TABLE	
		CUSTOMER COPY		sheet 2 of 2	