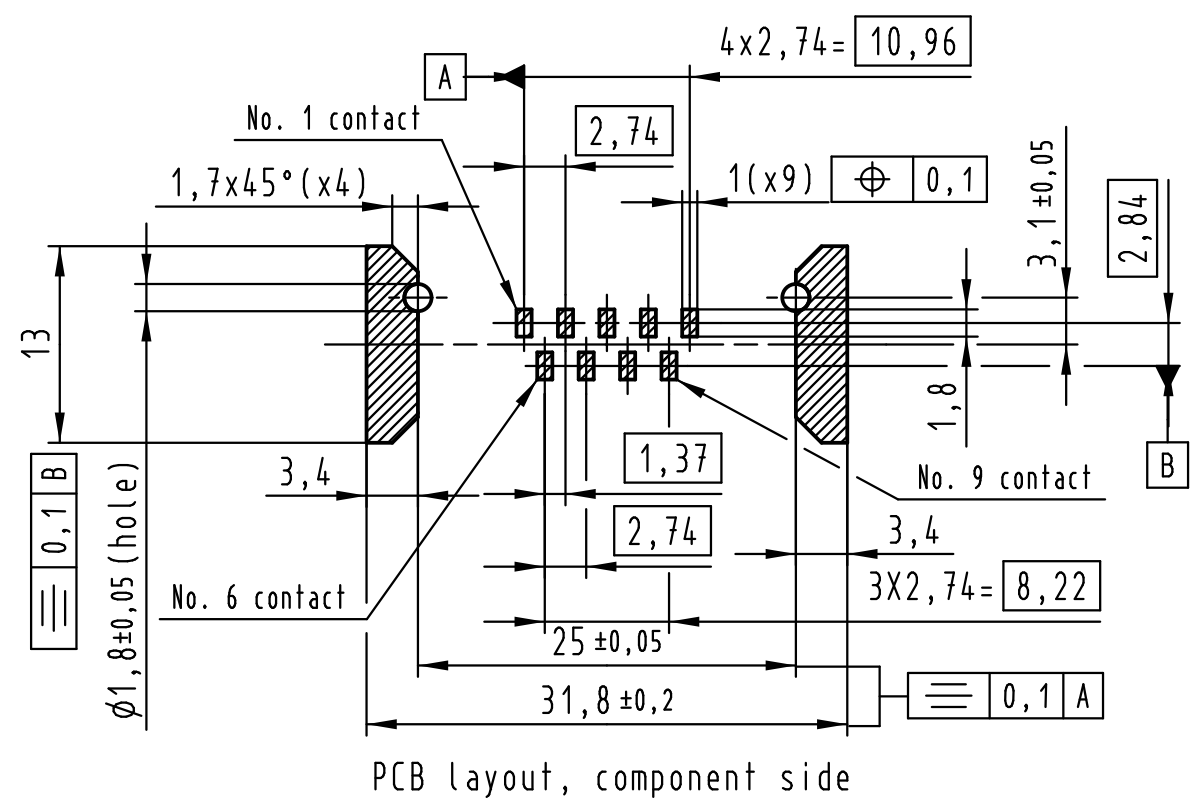
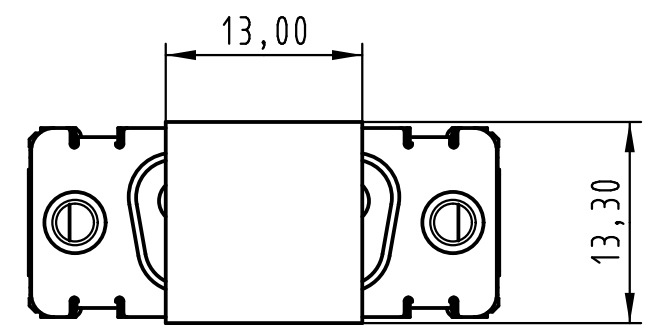
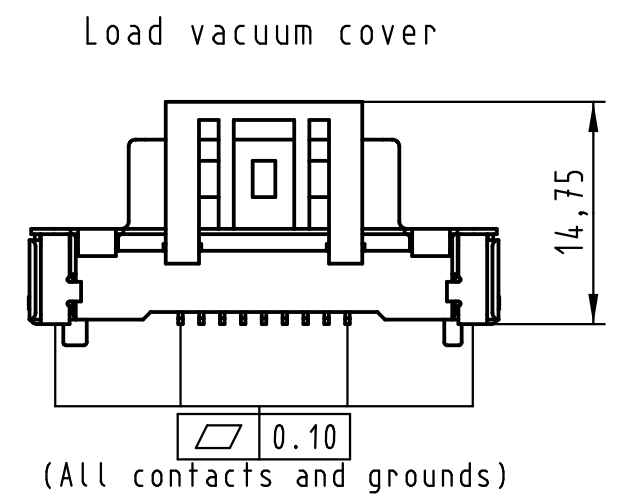
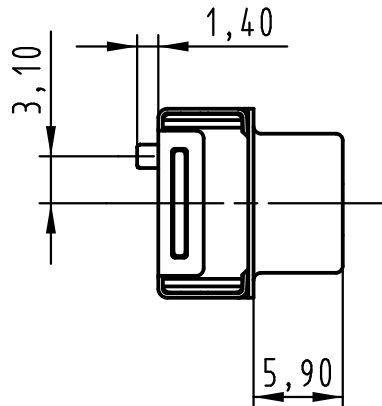
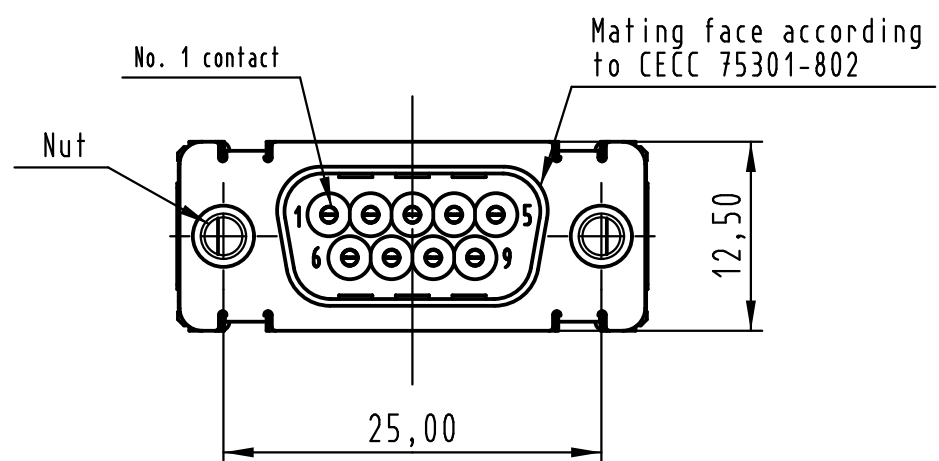
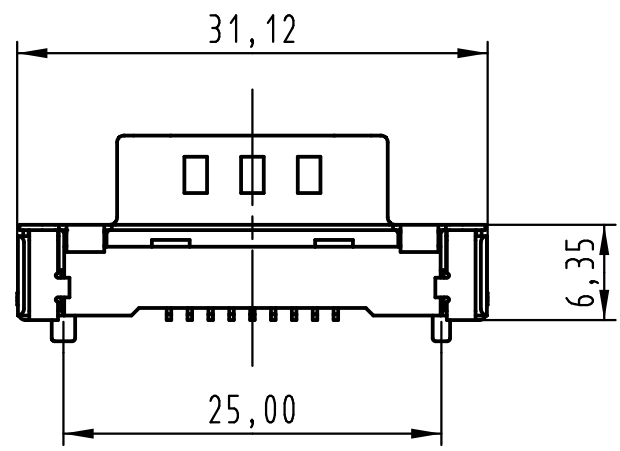


All rights reserved

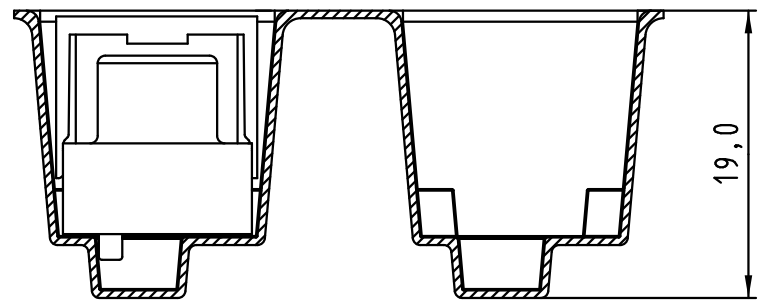


Max. Temperature: 260° during 10 seconds.

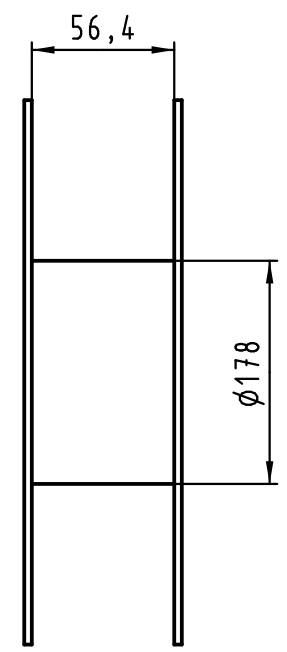
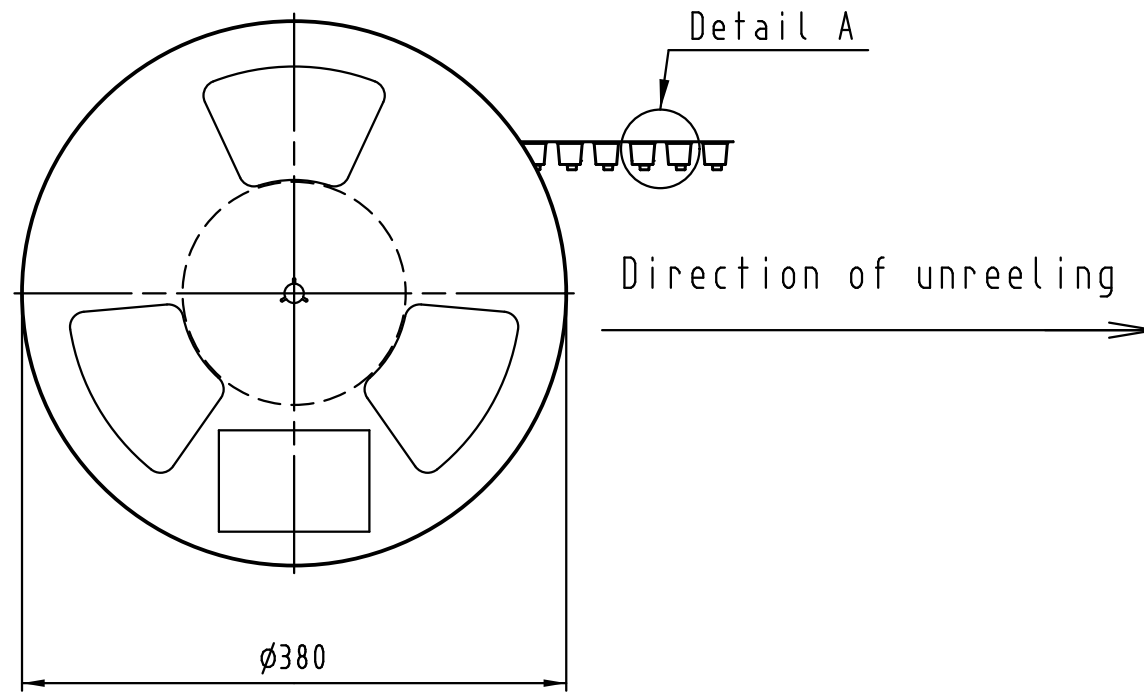
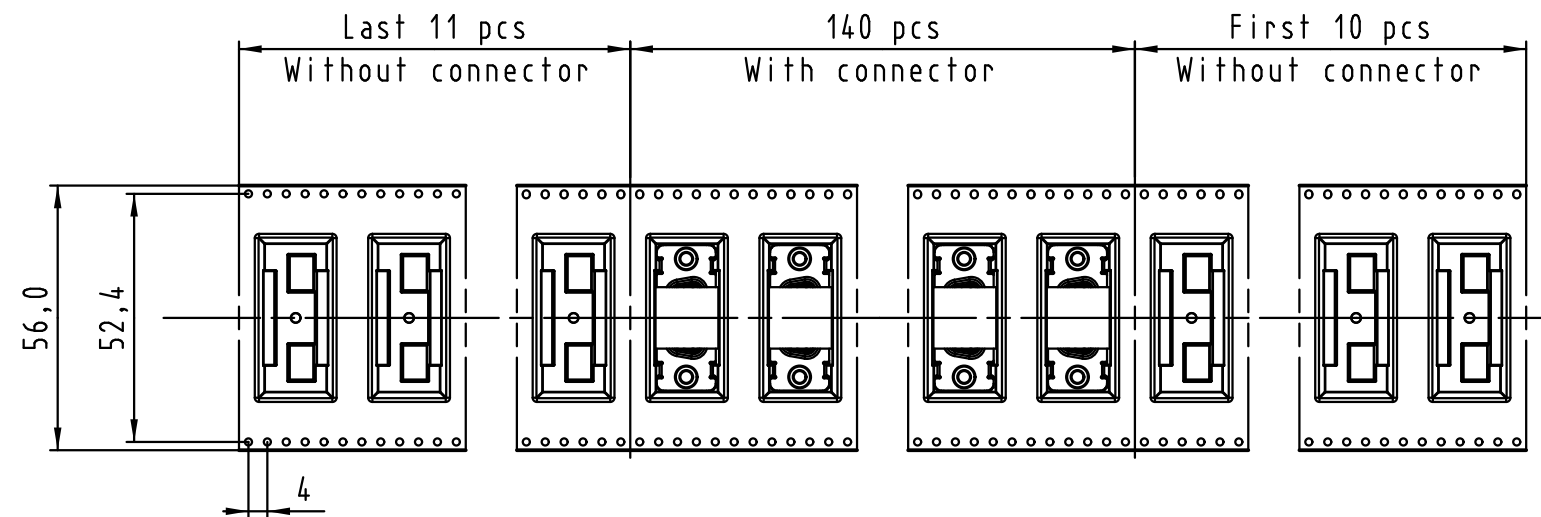
0955 129 3811 741	1	M3
0955 129 3812 741	1	4-40 UNC
0955 129 6811 741	2	M3
0955 129 6812 741	2	4-40 UNC
0955 129 7811 741	3	M3
0955 129 7812 741	3	4-40 UNC

Black insulator	Reel Packaging: 140 connectors (See details on page 2/2)
-----------------	--

Part number	PL	Nut	Index designation																														
<table border="1"> <tr> <td colspan="2">All Dimensions in mm Original Size DIN A 3</td> <td colspan="2">Techn. Character.</td> <td colspan="2">Free size tolerances</td> </tr> <tr> <td></td> <td>Dat.</td> <td>Name</td> <td colspan="3">Scale</td> </tr> <tr> <td></td> <td>Detail.</td> <td>14-Sep-11</td> <td>Johnson.S</td> <td colspan="2">2:1</td> </tr> <tr> <td></td> <td>Insp.</td> <td>17-Nov-11</td> <td>Steven.W</td> <td colspan="2"></td> </tr> <tr> <td></td> <td>Stand.</td> <td>17-Nov-11</td> <td>Steven.W</td> <td colspan="2"></td> </tr> </table>			All Dimensions in mm Original Size DIN A 3		Techn. Character.		Free size tolerances			Dat.	Name	Scale				Detail.	14-Sep-11	Johnson.S	2:1			Insp.	17-Nov-11	Steven.W				Stand.	17-Nov-11	Steven.W			D-Sub SMT, 9 poles Male, Straight with nuts and ground pads
All Dimensions in mm Original Size DIN A 3		Techn. Character.		Free size tolerances																													
	Dat.	Name	Scale																														
	Detail.	14-Sep-11	Johnson.S	2:1																													
	Insp.	17-Nov-11	Steven.W																														
	Stand.	17-Nov-11	Steven.W																														
EC04070 Mod.	17-Nov-11 Dat.	Johnson.S Name	Zhuhai HARTING Limited Sub.	TB 09 55 129 x81x	Page 1/2																												



Detail A



See TB 09 55 129 x81x folio 1/2 for connector dimensions and PCB layout

Packaging in accordance with EIA 481-2.

0955 129 3811 741	1	M3	Black insulator	Reel Packaging: 140 connectors
0955 129 3812 741	1	4-40 UNC		
0955 129 6811 741	2	M3		
0955 129 6812 741	2	4-40 UNC		
0955 129 7811 741	3	M3		
0955 129 7812 741	3	4-40 UNC		
Part number	PL	Nut	Index designation	

All Dimensions in mm Original Size DIN A 3			Techn. Character.			Free size tolerances		
				Dat.	Name	Scale D-Sub SMT, 9 poles Male, Straight with nuts and ground pads		
			Detail.	14-Sep-11	Johnson.S			
			Insp.	17-Nov-11	Steven.W			
			Stand.	17-Nov-11	Steven.W			
EC04070	17-Nov-11	Johnson.S	Zhuhai HARTING Limited			TB 09 55 129 x81x		
Mod.	Dat.	Name				Sub. Page 2/2		

All rights reserved