

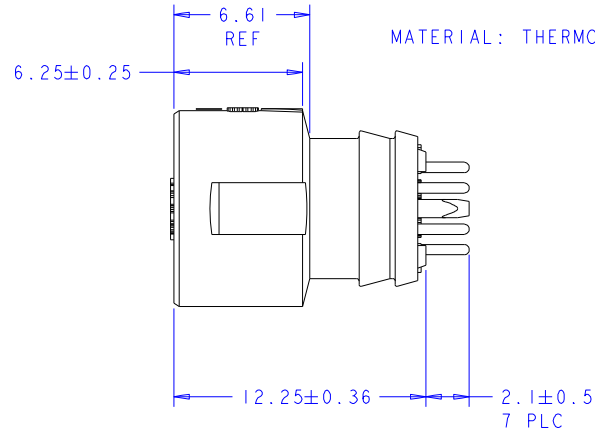
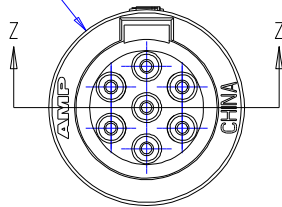
LOC	DIST	REVISIONS					
		P	LTR	DESCRIPTION	DATE	DWN	APVD
-	-	7		REVISED	13MAY03	BH	KD
		8		ADDED 'B'. A REF. 30° WAS 10°	5-28-03	GD	KD
		9		REVISED	3-12-04	GD	KD
		10		ADDED P/NS, NOTE 1 AND HOUSING COLOR.	4-14-04		

LATCH IDENTIFIER  
 B-BREAKAWAY LATCH  
 BREAKAWAY VERSION ONLY,  
 MAY BE ORIENTED  
 IN ANY DIRECTION

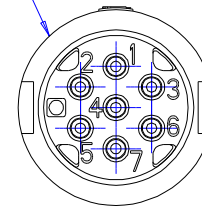
ALIGNMENT  
 INDICATORS  
 SEE TABLE  
 FOR COLOR

THIS PRODUCT HAS NOT COMPLETED  
 VALIDATION TESTING

$\varnothing 9.5 \pm 0.1$



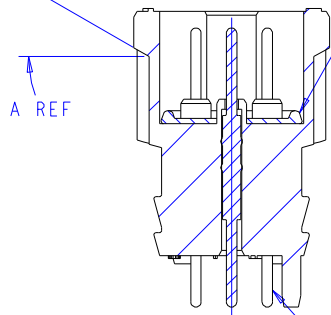
HOUSING, QTY-1  
 MATERIAL: THERMOPLASTIC, COLOR-SEE TABLE



PRELIMINARY PART NUMBER

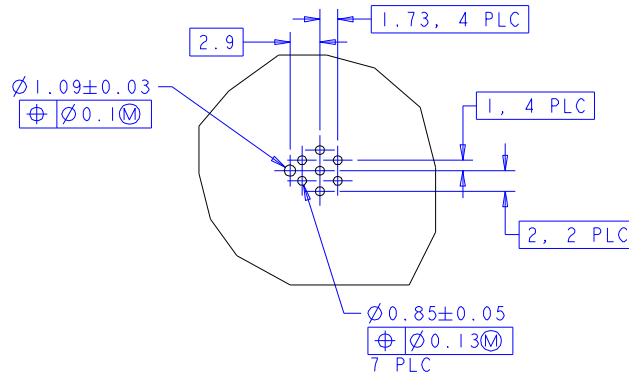
WHITE	WHITE	1, 7	BREAKAWAY	30°	△ 1-1445691-2
BLACK	WHITE	1, 7	POSITIVE	0°	△ 1-1445691-1
WHITE	WHITE	2, 3, 7	BREAKAWAY	30°	△ 1-1445691-0
BLACK	WHITE	2, 3, 7	POSITIVE	0°	△ 1445691-09
WHITE	WHITE	2, 3, 5, 6	BREAKAWAY	30°	△ 1445691-08
BLACK	WHITE	2, 3, 5, 6	POSITIVE	0°	△ 1445691-07
WHITE	WHITE	2, 3, 4, 5, 6	BREAKAWAY	30°	△ 1445691-06
BLACK	WHITE	2, 3, 4, 5, 6	POSITIVE	0°	△ 1445691-05
WHITE	WHITE	1, 2, 3, 5, 6, 7	BREAKAWAY	30°	△ 1445691-04
BLACK	WHITE	1, 2, 3, 5, 6, 7	POSITIVE	0°	△ 1445691-03
WHITE	WHITE	ALL	BREAKAWAY	30°	△ 1445691-02
BLACK	WHITE	ALL	POSITIVE	0°	1445691-01
HOUSING COLOR	INDICATOR COLOR	CONTACT CIRCUITS	LATCH	A REF	PART NUMBER

SEAL, INTERFACIAL, QTY-1  
 MATERIAL: SILICONE, COLOR-RED



CONTACT, SOLDER TAIL, QTY-7  
 MATERIAL: BRASS  
 FINISH: GOLD OVER NICKEL

SECTION Z-Z



SUGGESTED PRINTED CIRCUIT  
 BOARD LAYOUT

DIMENSIONS:		TOLERANCES UNLESS OTHERWISE SPECIFIED:		DATE		Tyco Electronics Corporation	
mm				20JUL2001	SHANE WREST	20JUL2001	Harrisburg, PA 17105-3608
0 PLC	±0.13	1 PLC	±0.13	APVD	G. DOUITY	NAME	ASSEMBLY, RECEPTACLE, FREE HANGING, PIN CONTACT, SOLDER POST, 7 POSITION, MICRO CPC
2 PLC	±0.13	3 PLC	±0.13	PRODUCT SPEC		SIZE	A2
4 PLC	±0.13	5 PLC	±0.13	APPLICATION SPEC		CAGE CODE	00779
6 PLC	±0.13	7 PLC	±0.13	FINISH	SEE NOTE	DRAWING NO	1445691
ANGLES	±0.13			WEIGHT		RESTRICTED TO	
MATERIAL	SEE NOTE			CUSTOMER DRAWING		SCALE	6:1
						SHEET	1 OF 1
						REV	10